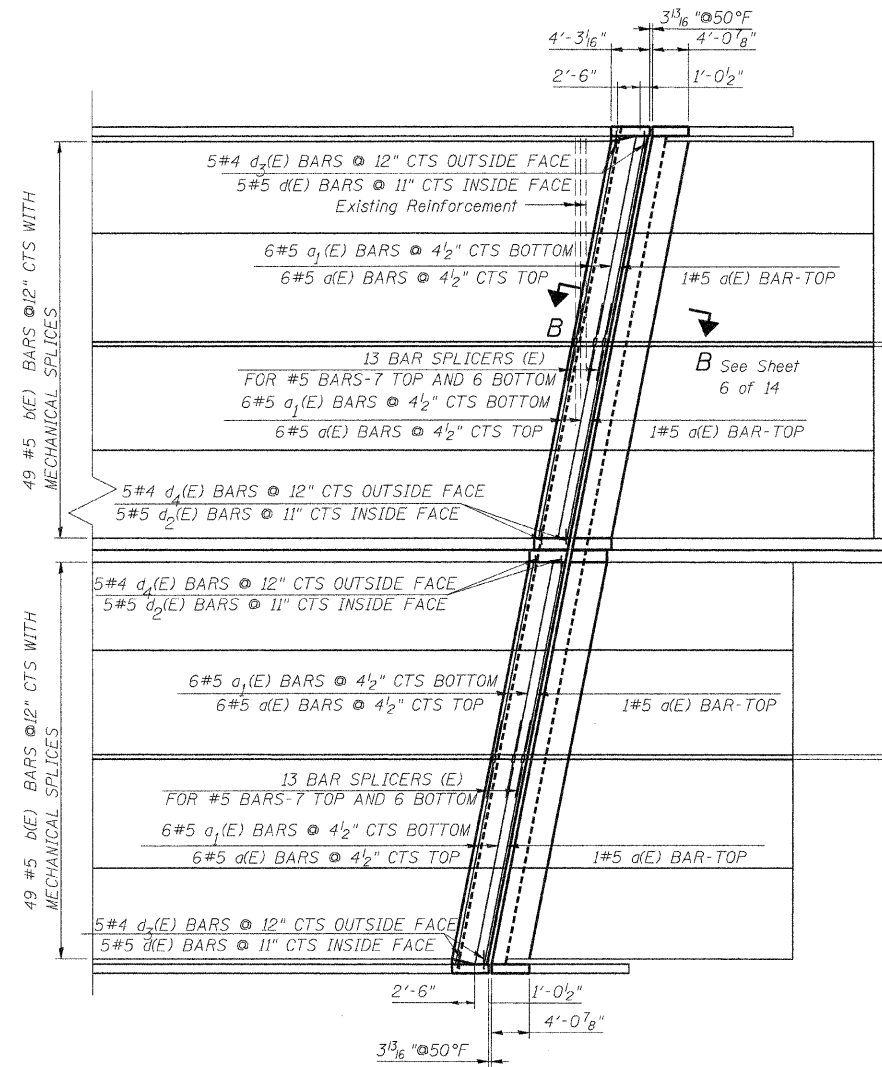


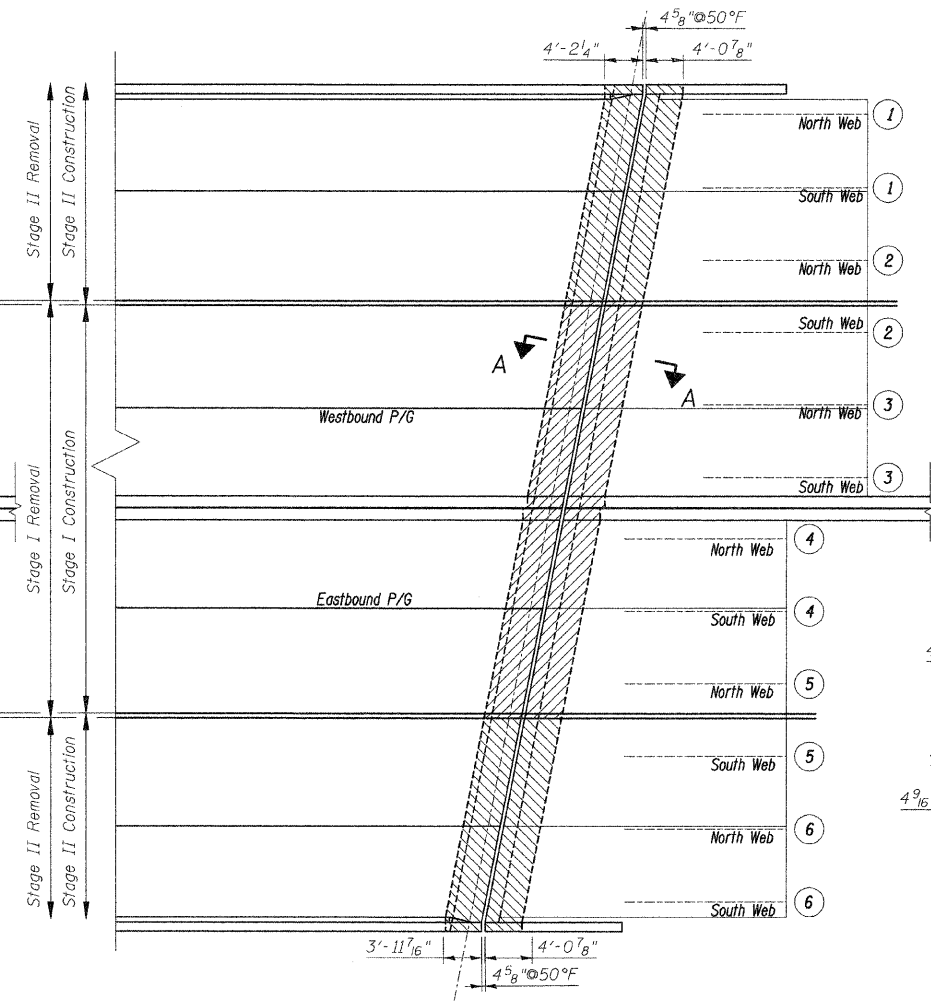
STATE OF ILLINOIS
DEPARTMENT OF TRANSPORTATION

ROUTE NO.	SECTION	COUNTY	TOTAL SHEETS	SHEET NO.
IL 84	(1,2)B-2M	HENRY and ROCK ISLAND	23	7
FED. ROAD DIST. NO. 7 ILLINOIS FED. AID PROJECT-				
CONTRACT 64E18				

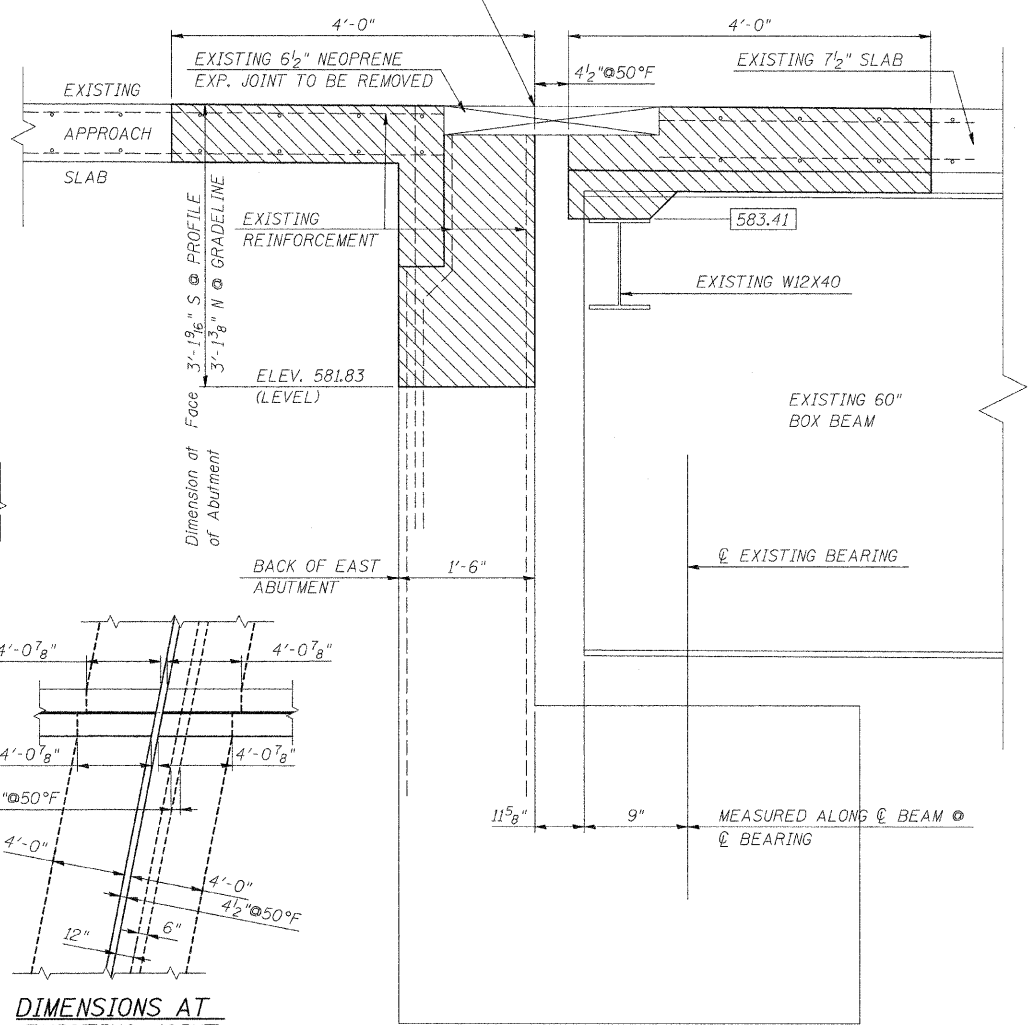
SHEET NO. 5
15 SHEETS



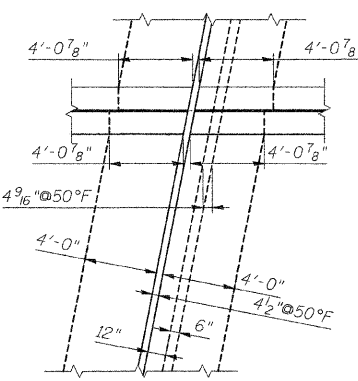
PARTIAL PLAN
SHOWING CONCRETE REPLACEMENT



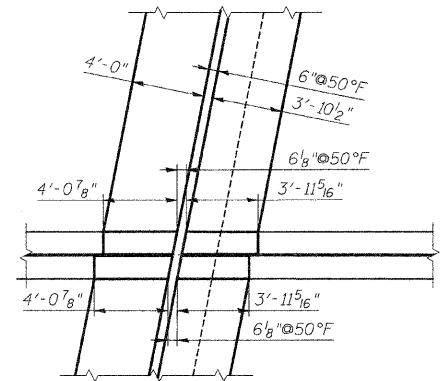
PARTIAL PLAN
SHOWING CONCRETE REMOVAL



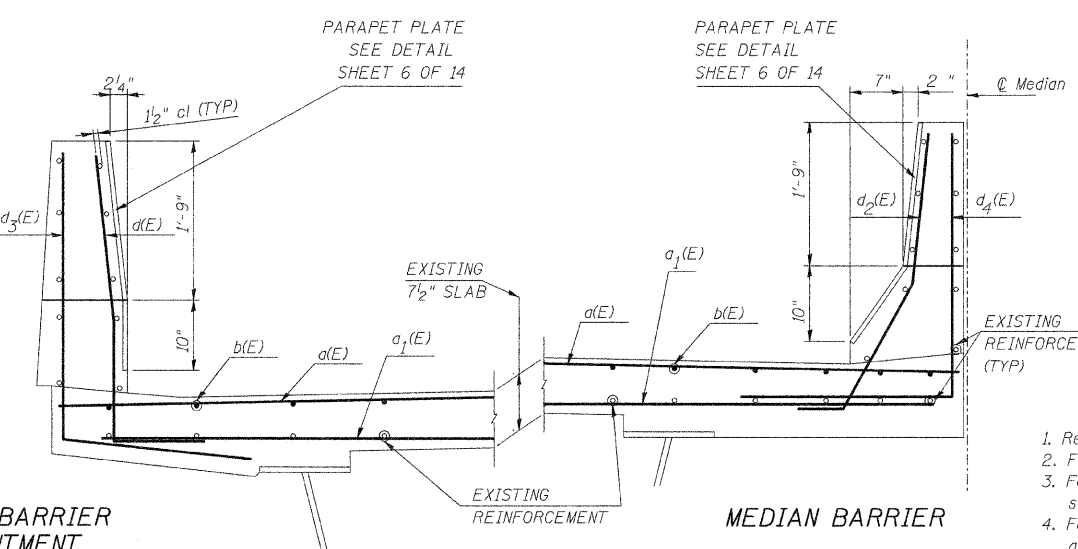
SECTION A-A



DIMENSIONS AT
EXISTING JOINT
AT ROADWAY



DIMENSIONS AT
PROPOSED JOINT
AT ROADWAY

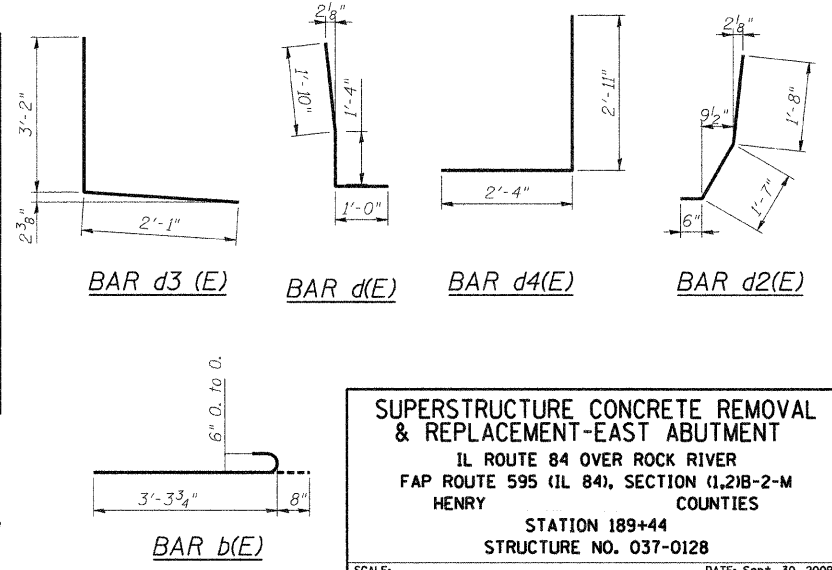


OUTSIDE BARRIER
AT ABUTMENT

MEDIAN BARRIER

BILL OF MATERIAL

Bar No.	Size	Length	Shape
d(E)	#5	26'-1"	
a1(E)	#5	25'-1"	
b(E)	#5	3'-11 3/4"	
d(E)	#5	4'-2"	
cb(E)	#5	3'-9"	
ca(E)	#4	5'-3"	
cd(E)	#4	5'-3"	
Concrete Removal	Cu. Yd.	15.3	
Concrete Superstructure	Cu. Yd.	15.3	
Reinforcement Bars Epoxy Coated	Lbs.	1950	



1. Reinforcement bars designated (E) shall be epoxy coated.
2. For Section B-B, See Sheet 6 of 15.
3. For concrete removal details at the abutment, see sheets 11 & 12 of 15.
4. For concrete replacement and reinforcement details at the abutment, see sheet 13 & 14 of 15.
5. For bar splicer details, see sheet 15 of 15.
6. Hatched areas indicate concrete removal.

DESIGNED	M.H.
CHECKED	P.B.
DRAWN	C.L.
CHECKED	M.H./P.B.

SUPERSTRUCTURE CONCRETE REMOVAL & REPLACEMENT-EAST ABUTMENT
IL ROUTE 84 OVER ROCK RIVER
FAP ROUTE 595 (IL 84), SECTION (1,2)B-2-M
HENRY COUNTIES
STATION 189+44
STRUCTURE NO. 037-0128

SCALE: DATE: Sept. 30, 2009
Soodan Soodan & Associates, Inc.
100 North LaSalle Street, Suite 1800
Chicago, Illinois 60602