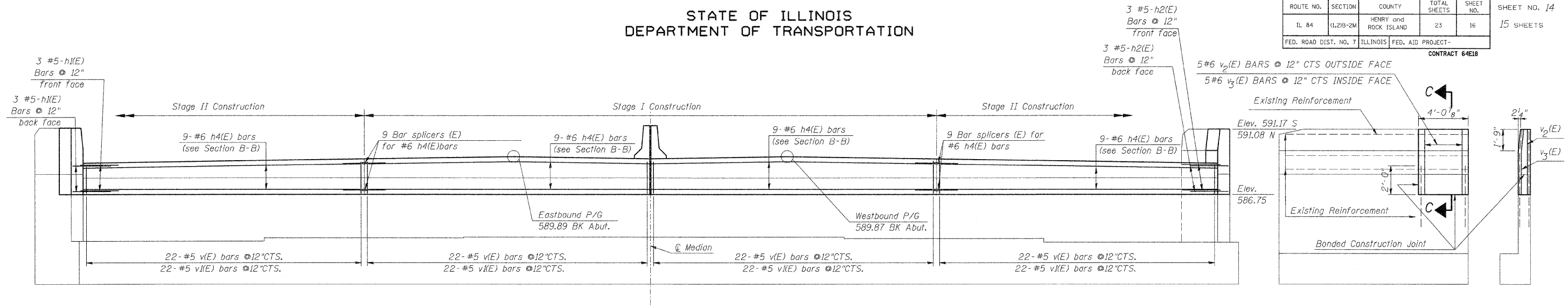


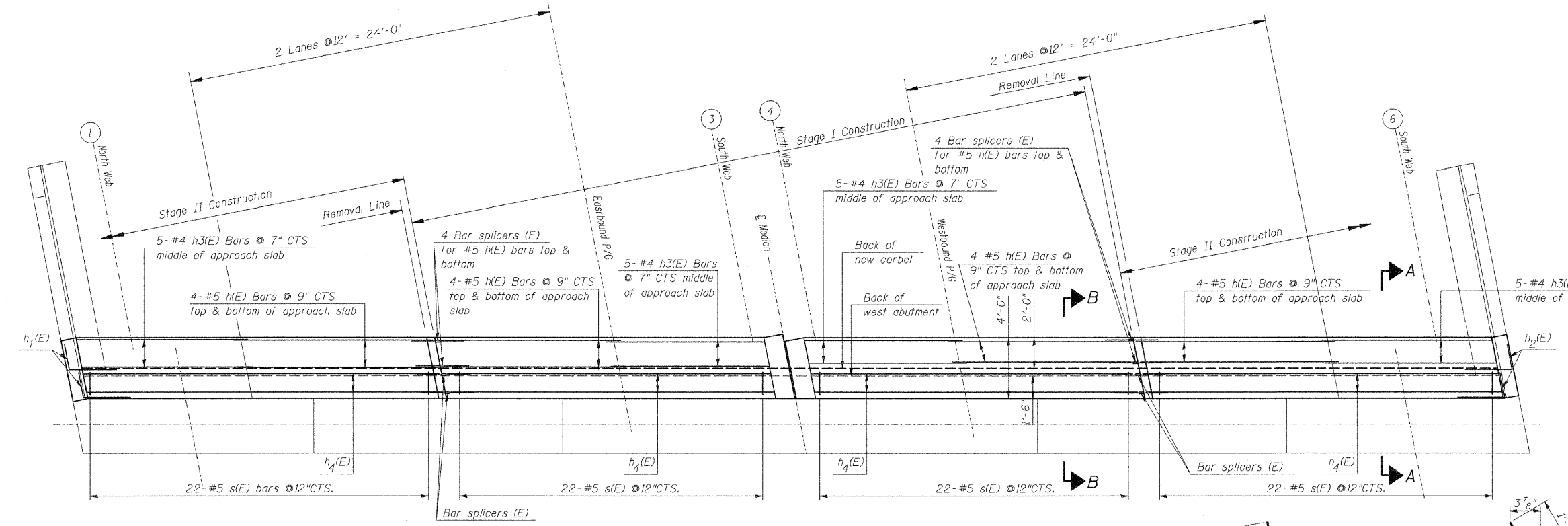
STATE OF ILLINOIS  
DEPARTMENT OF TRANSPORTATION

|  |           |                       |              |           |                           |
|--|-----------|-----------------------|--------------|-----------|---------------------------|
| ROUTE NO.  | SECTION   | COUNTY                | TOTAL SHEETS | SHEET NO. | SHEET NO. 14<br>15 SHEETS |
| IL 84  | (1,2)B-2M | HENRY and ROCK ISLAND | 23           | 16        |                           |
| FED. ROAD DIST. NO. 7 ILLINOIS FED. AID PROJECT-<br>CONTRACT 64E1B |           |                       |              |           |                           |

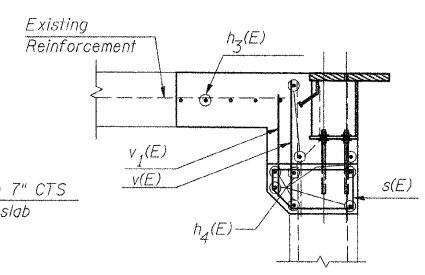


ELEVATION

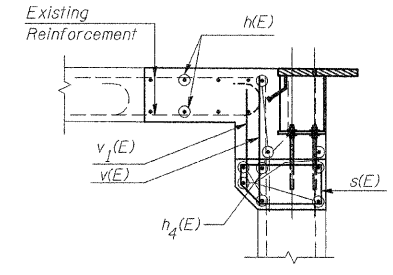
INSIDE ELEVATION WINGWALL SECTION C-C



PLAN



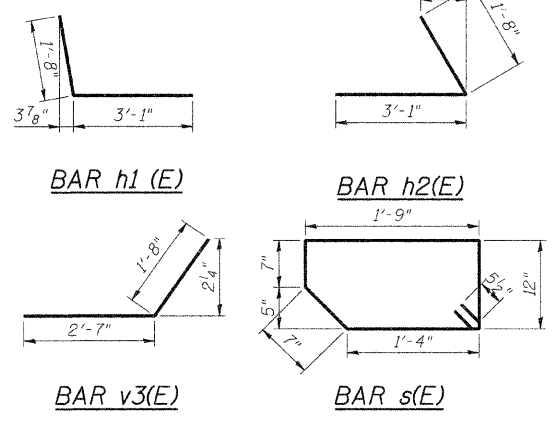
SECTION A-A



SECTION B-B

BILL OF MATERIAL

| Bar                              | No. | Size | Length | Shape | Location           |
|----------------------------------|-----|------|--------|-------|--------------------|
| h(E)                             | 32  | #5   | 13'-0" | —     | Approach Slab      |
| h1(E)                            | 6   | #5   | 4'-9"  | ┘     | Wingwall- Abutment |
| h2(E)                            | 6   | #5   | 4'-9"  | └     | Wingwall- Abutment |
| h3(E)                            | 20  | #5   | 13'-0" | —     | Approach Slab      |
| h4(E)                            | 36  | #6   | 23'-3" | —     | Abutment           |
| v(E)                             | 88  | #5   | 2'-10" | —     | Abutment           |
| v1(E)                            | 88  | #5   | 2'-5"  | —     | Abutment           |
| v2(E)                            | 10  | #6   | 4'-3"  | —     | Wingwall           |
| v3(E)                            | 10  | #6   | 4'-3"  | —     | Wingwall           |
| s(E)                             | 88  | #5   | 6'-2"  | —     | Abutment           |
| Reinforcement Bars, Epoxy Coated |     |      |        |       | POUNDS 3,200       |
| Concrete Removal                 |     |      |        |       | Cu. Yd. 16.2       |
| Concrete Superstructure          |     |      |        |       | Cu. Yd. 20.7       |



|          |           |
|----------|-----------|
| DESIGNED | M.H.      |
| CHECKED  | P.B.      |
| DRAWN    | C.L.      |
| CHECKED  | M.H./P.B. |

**CONCRETE PLACEMENT WEST ABUTMENT**  
 IL ROUTE 84 OVER ROCK RIVER  
 FAP ROUTE 595 (IL 84), SECTION (1,2)B-2-M  
 HENRY COUNTIES  
 STATION 189+44  
 STRUCTURE NO. 037-0128

SCALE: DATE: Sept. 30, 2009  
 Soodan & Associates, Inc.  
 100 North LaSalle Street, Suite 1800  
 Chicago, Illinois 60602