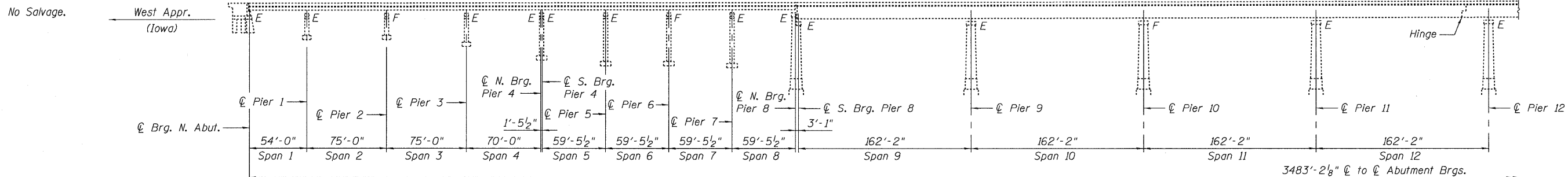


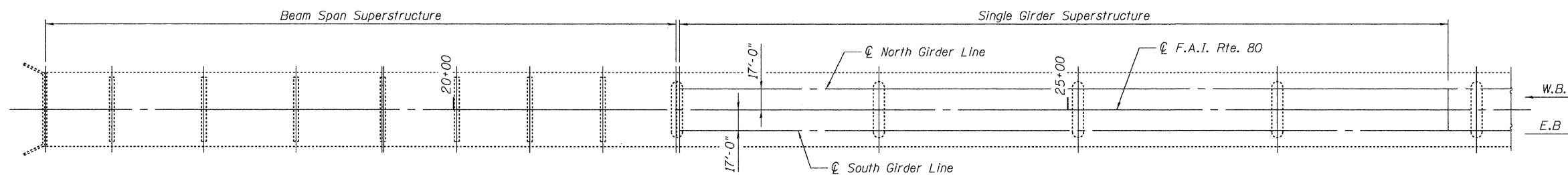
STATE OF ILLINOIS
DEPARTMENT OF TRANSPORTATION

Bench Mark: Brass Monument in top center of concrete headwall approx. 150 ft. east of I-80 and 10 ft.+ north of north edge of concrete pavement of ramp on north side Route 67. Elev. 100.00

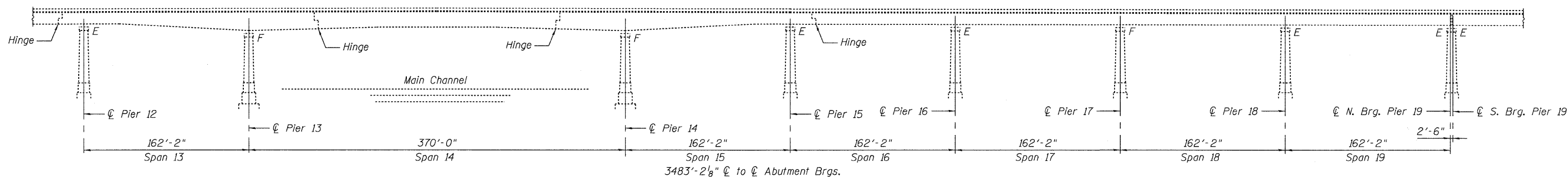
Existing Structure: The existing structure was originally built in 1966 with 12 approach spans and 16 main spans. The steel main spans consist of a two girder system with floorbeams and stringers in which the reinforced concrete deck is composite in the positive moment regions of the stringers. The approaches consist of steel multi-girder spans. The structure is supported by concrete abutments and piers founded on rock.



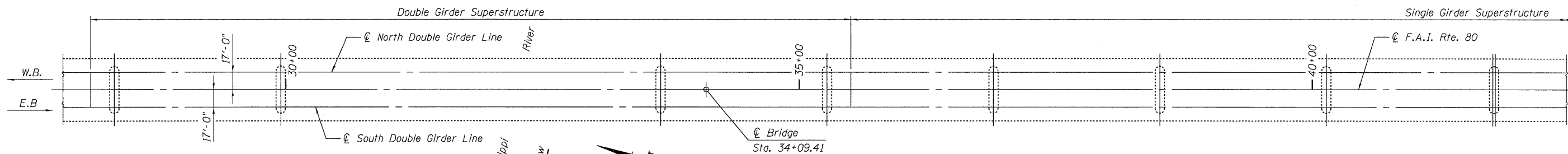
PART ELEVATION



PART PLAN



PART ELEVATION



PART PLAN

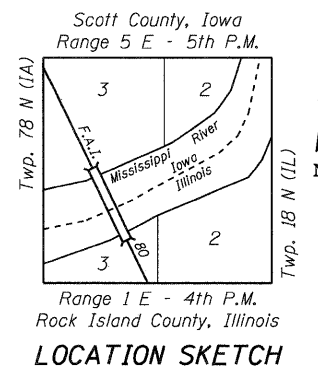
Note: For Index of Sheets, see Sheet No. 2 of 33.



David W. Petermeier, 9/18/09

DAVID W. PETERMEIER
EDWARDSVILLE, ILLINOIS
ILLINOIS LICENSED STRUCTURAL
ENGINEER NO. 081-005642
EXPIRES 11/30/2010

Proposed Improvements:
Replacement of cantilever floorbeam brackets at all stringer relief joint locations, as well as additional locations as designated in the plans. Locations include the brackets on both the eastbound and westbound sides of the bridge. In addition, the ends of stringers supported at these locations will be cut and new end sections will be spliced on. The concrete deck will be removed and replaced as required to accommodate work. Preformed joint seal will be removed and replaced as required. The existing finger joints will be cut and reinstalled.



LOCATION SKETCH

GENERAL PLAN AND ELEVATION - 1
I-80 OVER
MISSISSIPPI RIVER
STRUCTURE NO. 081-0011

| | |
|----------|-----|
| DESIGNED | YSS |
| CHECKED | DWP |
| DRAWN | PRC |
| CHECKED | YSS |

09/17/09



| | | | | | |
|---|-------------|------------|--------------------|--------------|-----------|
| SHEET NO. 1 33 SHEETS | F.A.I. RTE. | SECTION | COUNTY | TOTAL SHEETS | SHEET NO. |
| | 80 | (81-1B)M-4 | ROCK ISLAND | 75 | 28 |
| SN 081-0011 | | | CONTRACT NO. 64F31 | | |
| FED. ROAD DIST. NO. 7 ILLINOIS FED. AID PROJECT | | | | | |