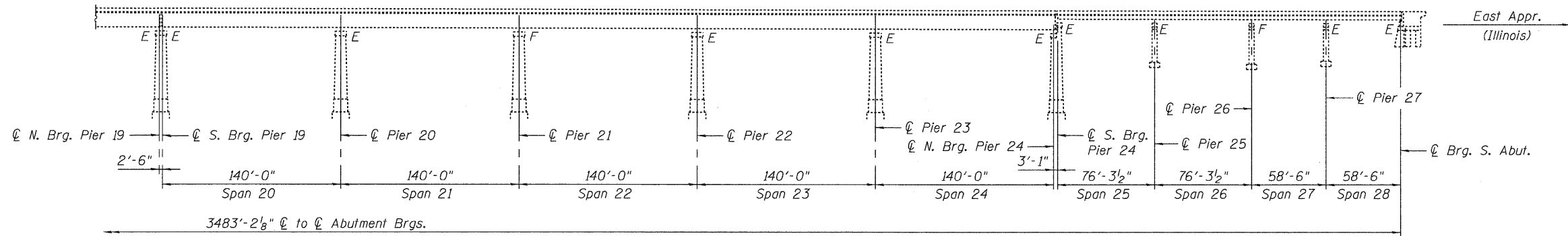
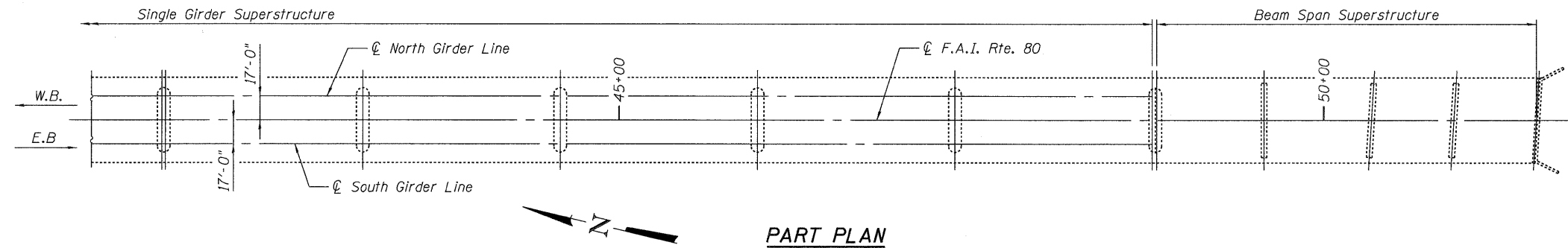


STATE OF ILLINOIS
DEPARTMENT OF TRANSPORTATION



PART ELEVATION



PART PLAN

INDEX OF SHEETS

- 1 General Plan and Elevation - 1
- 2 General Plan and Elevation - 2
- 3 General Notes and Bill of Material
- 4 Typical Stage Construction Cross Sections
- 5 Temporary Concrete Barrier for Stage Construction
- 6 Repair and Replacement Items - 1
- 7 Repair and Replacement Items - 2
- 8 Cantilever Floorbeam Replacement - Single Girder Spans
- 9 Cantilever Floorbeam Replacement - Double Girder Spans
- 10 Slab/Stringer Temporary Support Conceptual Details
- 11 Stringer End Repair Details - 1
- 12 Stringer End Repair Details - 2
- 13 Stringer End Repair Details - 3
- 14 Stringer End Repair Details - 4
- 15 Stringer End Repair Details - 5
- 16 Elastomeric Bearing Assembly
- 17 Miscellaneous Steel Repair Details - 1
- 18 Miscellaneous Steel Repair Details - 2
- 19 Miscellaneous Steel Repair Details - 3
- 20 Miscellaneous Steel Repair Details - 4
- 21 Miscellaneous Steel Repair Details - 5
- 22 Partial Deck Removal and Replacement at Expansion Dams
- 23 Partial Deck Removal and Replacement at Expansion Dams Pier 8 and 24
- 24 Partial Deck Removal and Replacement at Hinge 14
- 25 Partial Deck Removal and Replacement at Relief Joints - 1
- 26 Partial Deck Removal and Replacement at Relief Joints - 2
- 27 Concrete Median Details
- 28 Light Standard Support and Miscellaneous Concrete Details
- 29 Expansion Dam Repair and Replacement
- 30 Performed Joint Strip Seal
- 31 Slope Wall Repair Details
- 32 Concrete Repair Details
- 33 Field Welding of Stiffeners

GENERAL PLAN AND ELEVATION - 2
I-80 OVER
MISSISSIPPI RIVER
STRUCTURE NO. 081-0011

| | |
|----------|-----|
| DESIGNED | YSS |
| CHECKED | DWP |
| DRAWN | PRC |
| CHECKED | YSS |

09/17/09



| | | | | | |
|---|-------------|------------|--------------------|--------------|-----------|
| SHEET NO. 2 | F.A.I. RTE. | SECTION | COUNTY | TOTAL SHEETS | SHEET NO. |
| | 80 | (81-1B)M-4 | ROCK ISLAND | 75 | 29 |
| 33 SHEETS | SN 081-0011 | | CONTRACT NO. 64F31 | | |
| FED. ROAD DIST. NO. 7 ILLINOIS FED. AID PROJECT | | | | | |