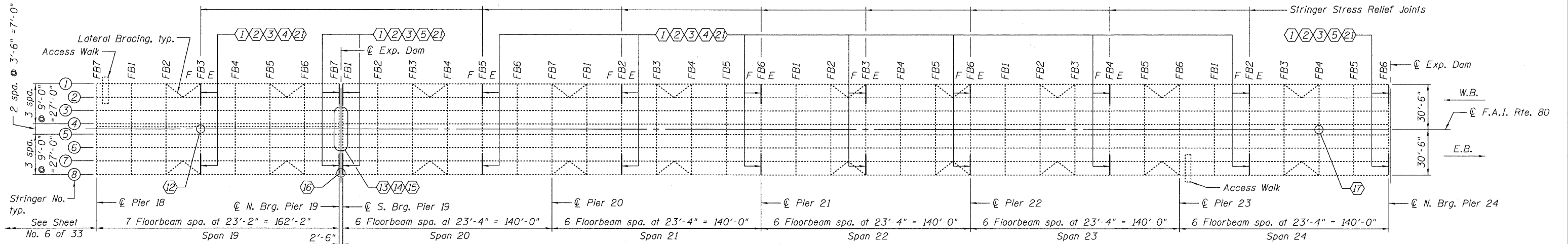
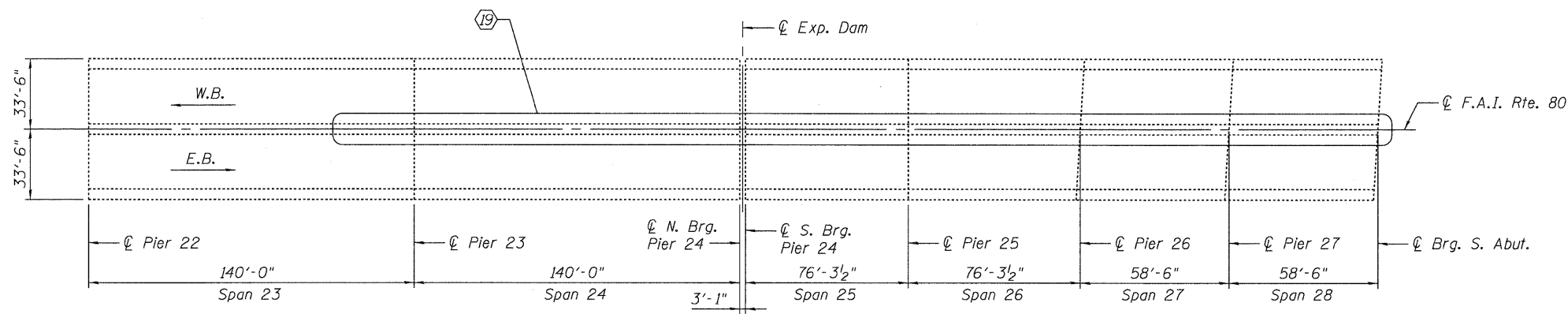


STATE OF ILLINOIS
DEPARTMENT OF TRANSPORTATION



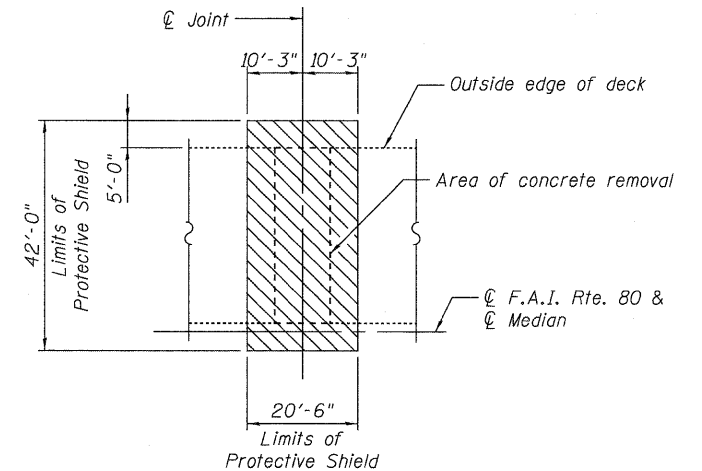
PARTIAL FRAMING PLAN

Note: Girders, lateral bracing between girders and inspection walkway not shown for clarity.



PARTIAL DECK PLAN

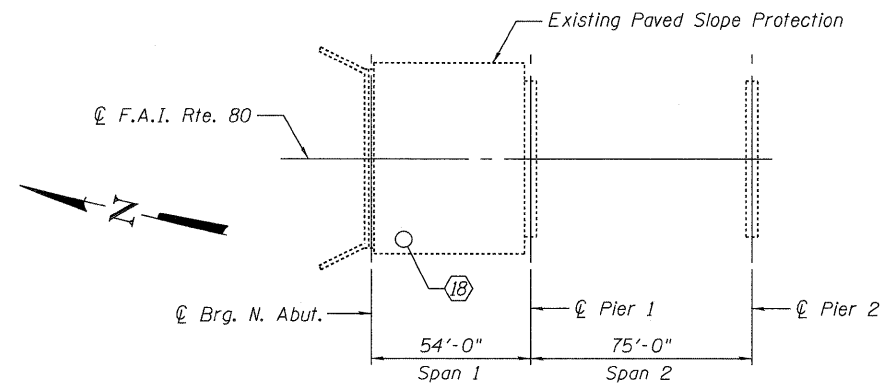
East Approach - Illinois side



DETAIL OF PROTECTIVE SHIELD

Note:
For locations see Repair Item No. 21 on Sheet No. 6 of 33.

Note:
For description of work see Repair Legend on Sheet No. 6 of 33.



PARTIAL PLAN

West Approach - Iowa side

DESIGNED	YSS
CHECKED	DWP
DRAWN	PRC
CHECKED	YSS

09/17/09



**REPAIR AND REPLACEMENT
ITEMS - 2
I-80 OVER
MISSISSIPPI RIVER
STRUCTURE NO. 081-0011**

SHEET NO. 7 33 SHEETS	F.A.I. RTE. 80	SECTION (81-1B)M-4	COUNTY ROCK ISLAND	TOTAL SHEETS 75	SHEET NO. 34
	SN 081-0011		CONTRACT NO. 64F31		
FED. ROAD DIST. NO. 7 ILLINOIS FED. AID PROJECT					