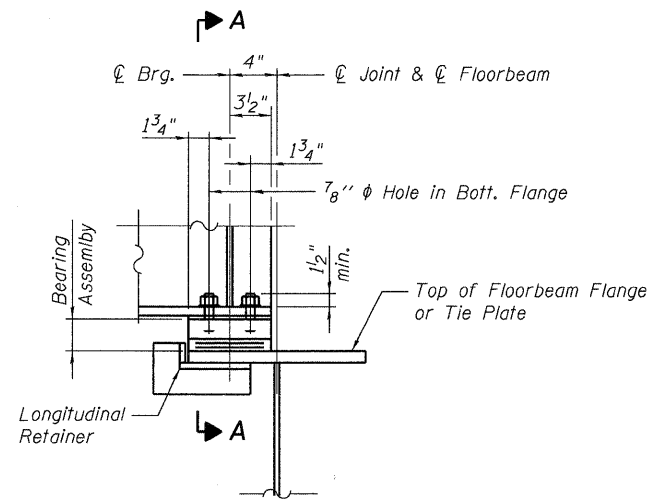


STATE OF ILLINOIS  
DEPARTMENT OF TRANSPORTATION

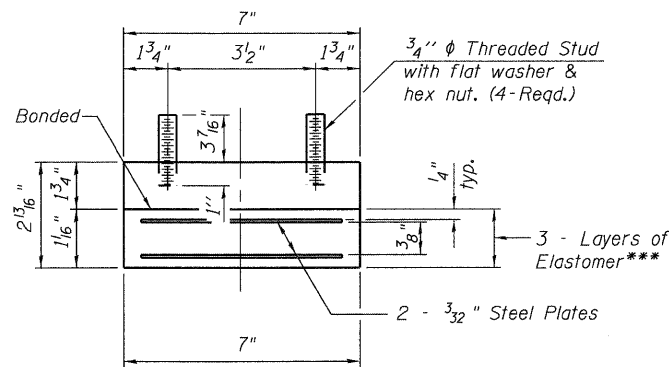


**ELEVATION AT RELIEF JOINT**

Adjacent stringer and fixed bearing not shown for clarity.

**TABLE OF FILL P's**

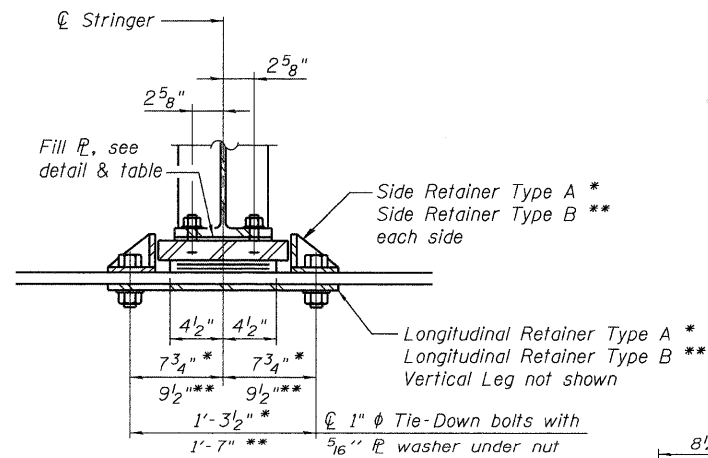
LOCATION	GDR. SPAN	STRINGER NO.	"#"	NOMINAL SHIM
Relief Joint Exp. Side	Single	1, 2, 7 & 8	3/16"	---
	Double	1 & 8	5/16"	Req'd.
	Double	2 & 7	3/16"	---



**SIDE VIEW**

\*\*\* Elastomer shall have a specified shear modulus equal to 0.175ksi. The measured shear modulus shall lie within 15% of the specified value. Elastomer with minimum low-temperature Grade 3 is required.

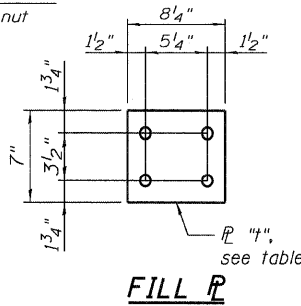
Note:  
Shim plates shall not be placed under Bearing Assembly.



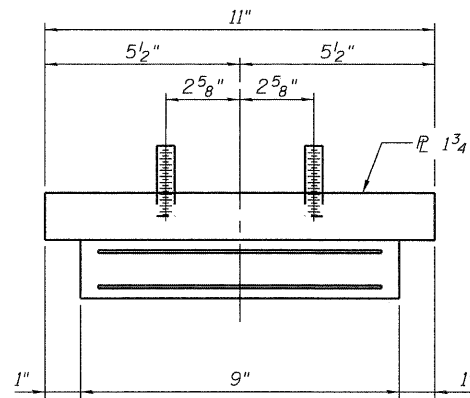
**SECTION A-A**

\* Stringer Lines 1 and 8 - All Girder Spans  
\*\* Stringer Lines 2 and 7 - Double Girder Spans only

**TYPE I ELASTOMERIC EXP. BRG.**



**FILL P**

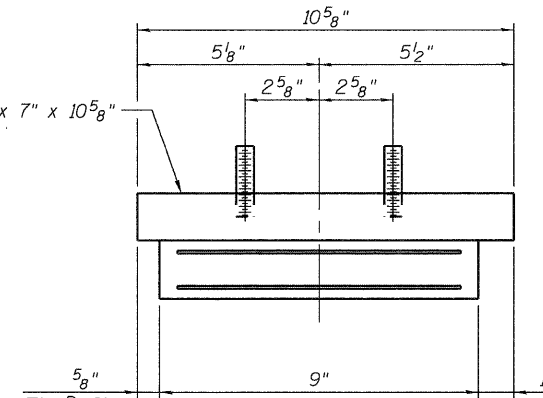


**ELEVATION**

Stringer Lines 1 and 8 - All Girder Spans  
Stringer Lines 2 and 7 - Double Girder Spans only

**BEARING ASSEMBLY DETAILS**

Note: Not to scale.

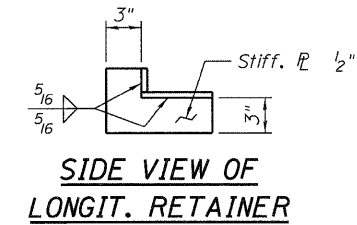


**ELEVATION**

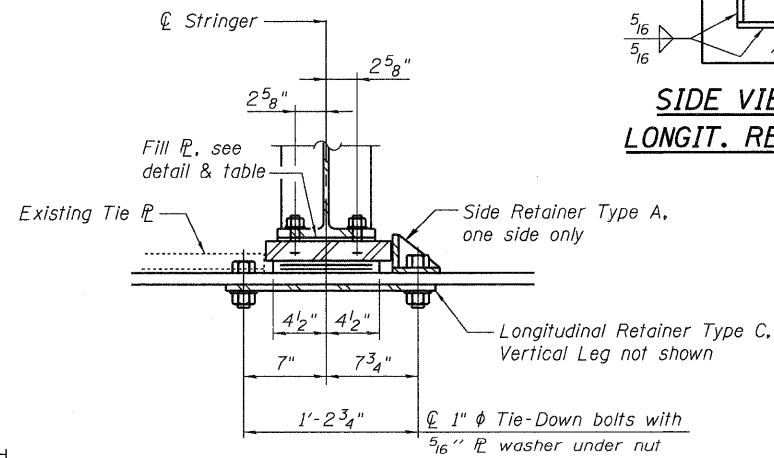
Stringer Lines 2 and 7 - Single Girder Spans only

**SIDE RETAINER - TYPE B**

Equivalent rolled angle with stiffeners will be allowed in lieu of welded plates.

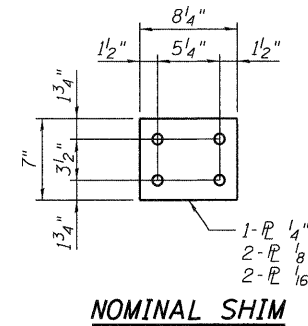


**SIDE VIEW OF LONGIT. RETAINER**



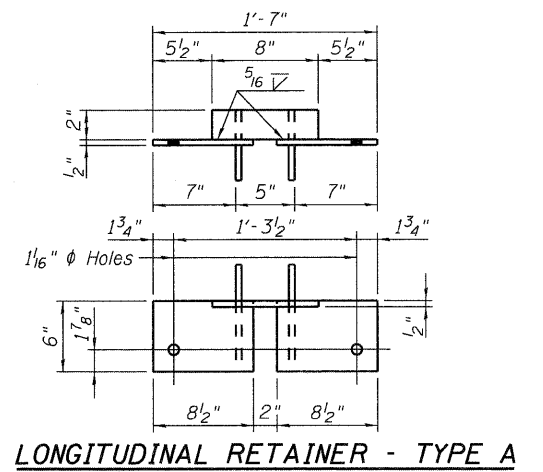
**SECTION A-A**

Stringer Lines 2 and 7 - Single Girder Spans only

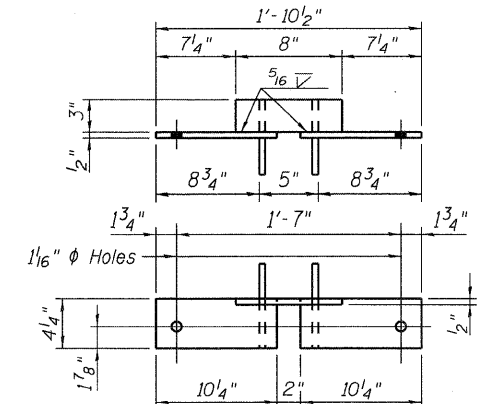


**NOMINAL SHIM**

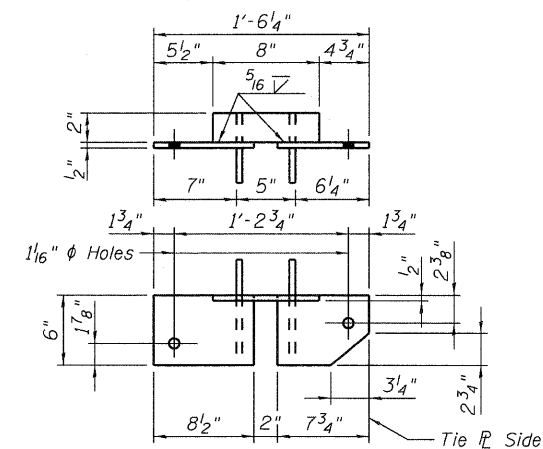
Notes:  
Side and longitudinal retainers and steel plates required for the bearing assembly shall be included in the cost of Elastomeric Bearing Assembly, Type I.  
Two 1/8 inch adjusting shims shall be provided for each bearing in addition to all other plates or shims and placed as shown on bearing details.



**LONGITUDINAL RETAINER - TYPE A**



**LONGITUDINAL RETAINER - TYPE B**



**LONGITUDINAL RETAINER - TYPE C**

**BILL OF MATERIAL**

Item	Unit	Total
Elastomeric Bearing Assembly, Type I	Each	100

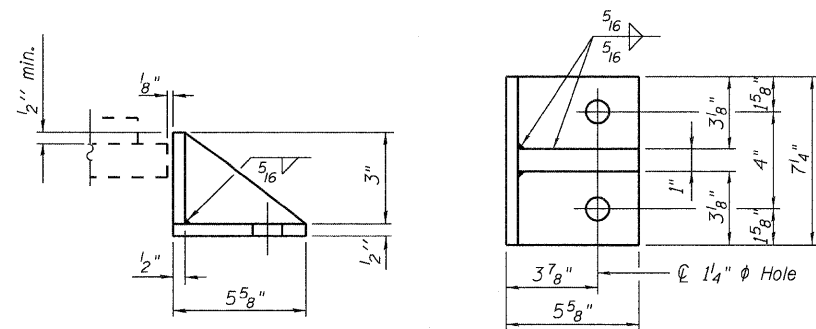
**ELASTOMERIC BEARING ASSEMBLY  
I-80 OVER  
MISSISSIPPI RIVER  
STRUCTURE NO. 081-0011**

DESIGNED	YSS
CHECKED	ACK
DRAWN	PRC
CHECKED	YSS
09/17/09	



**SIDE RETAINER - TYPE A**

Equivalent rolled angle with stiffeners will be allowed in lieu of welded plates.



SHEET NO. 16 33 SHEETS	F.A.I. RTE.	SECTION	COUNTY	TOTAL SHEETS	SHEET NO.
	80	(81-1B)M-4	ROCK ISLAND	75	43
FED. ROAD DIST. NO. 7 ILLINOIS			CONTRACT NO. 64F31		
FED. AID PROJECT					