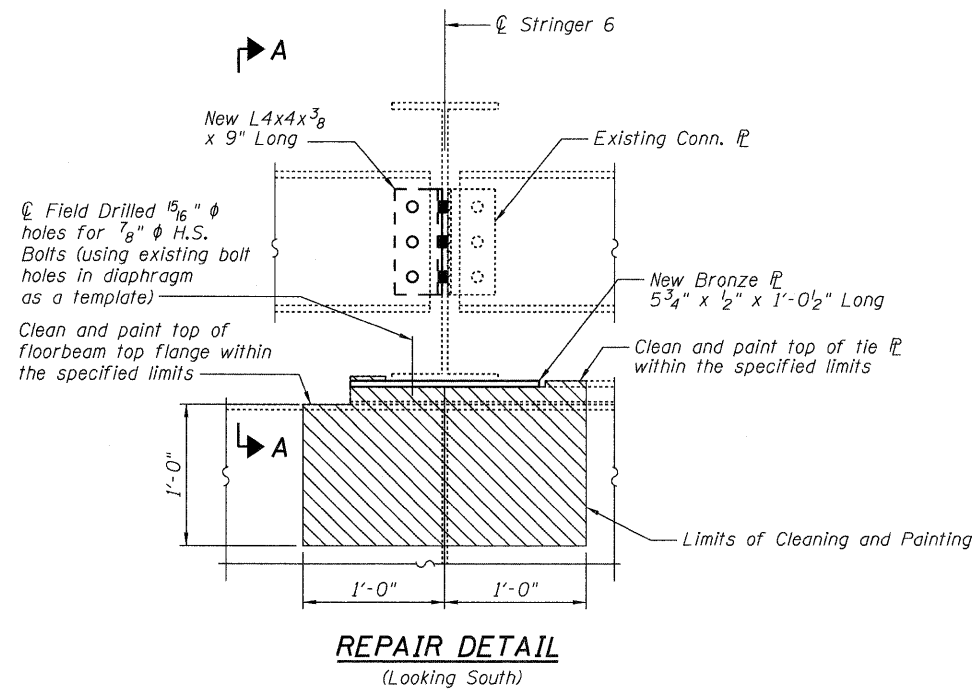
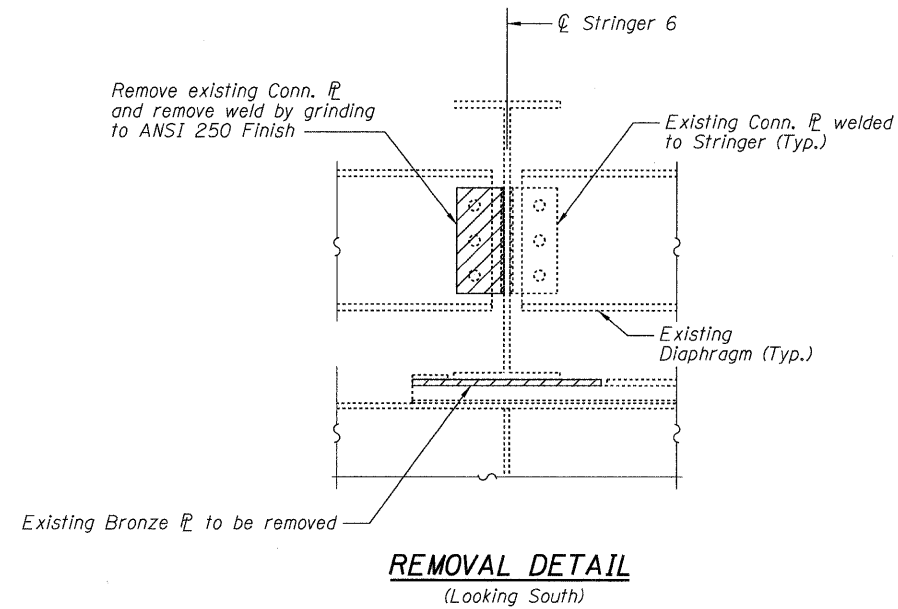
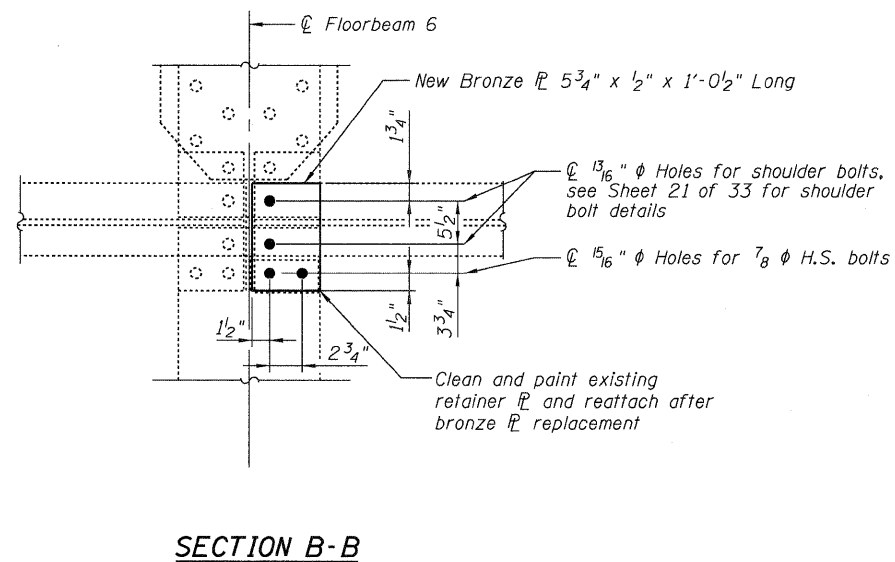
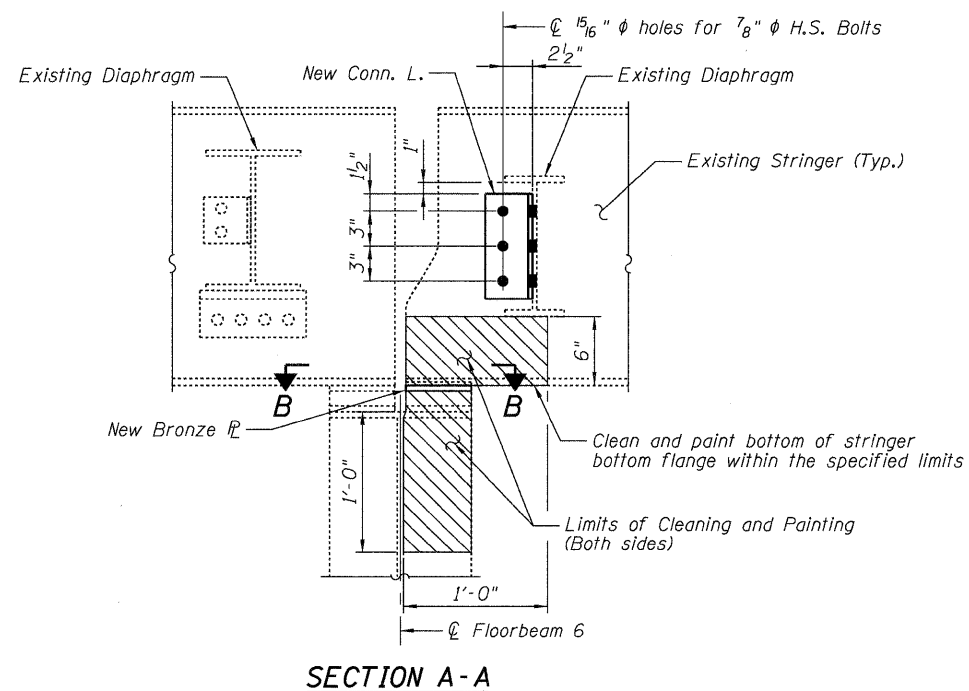


STATE OF ILLINOIS
DEPARTMENT OF TRANSPORTATION



STRUCTURAL STEEL REPAIR A
SPAN 11, STRINGER 6 AT FLOORBEAM 6



Notes:
The Contractor shall submit Temporary Jacking Details to the Engineer for approval prior to bronze plate replacement. The stringer service level dead load reaction is 17 kips. Cost of Temporary Jacking shall be included in Jacking and Cribbing.
The bronze plate shall conform to ASTM B22. Cost of bronze plate is included with the cost for Structural Steel Repair.
Coordinate Structural Steel Repair A with cantilever floorbeam replacement and stringer end repair. See Sheets 8 and 13 of 33 for details.

BILL OF MATERIAL

Item	Unit	Total
Structural Steel Repair	Pound	30
Cleaning and Painting Structural Steel, Location 1	L. Sum	1
Jacking and Cribbing	L. Sum	1

MISCELLANEOUS STEEL
REPAIR DETAILS - 1
I-80 OVER
MISSISSIPPI RIVER
STRUCTURE NO. 081-0011

DESIGNED	RLM
CHECKED	DWP
DRAWN	AEC
CHECKED	RLM

09/17/09



SHEET NO. 17	F.A.I. RTE.	SECTION	COUNTY	TOTAL SHEETS	SHEET NO.
	80	(81-1B)M-4	ROCK ISLAND	75	44
33 SHEETS	SN 081-0011		CONTRACT NO. 64F31		
	FED. ROAD DIST. NO. 7 ILLINOIS		FED. AID PROJECT		