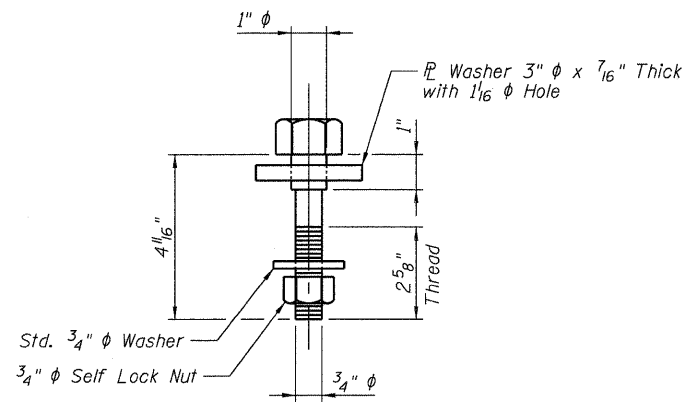
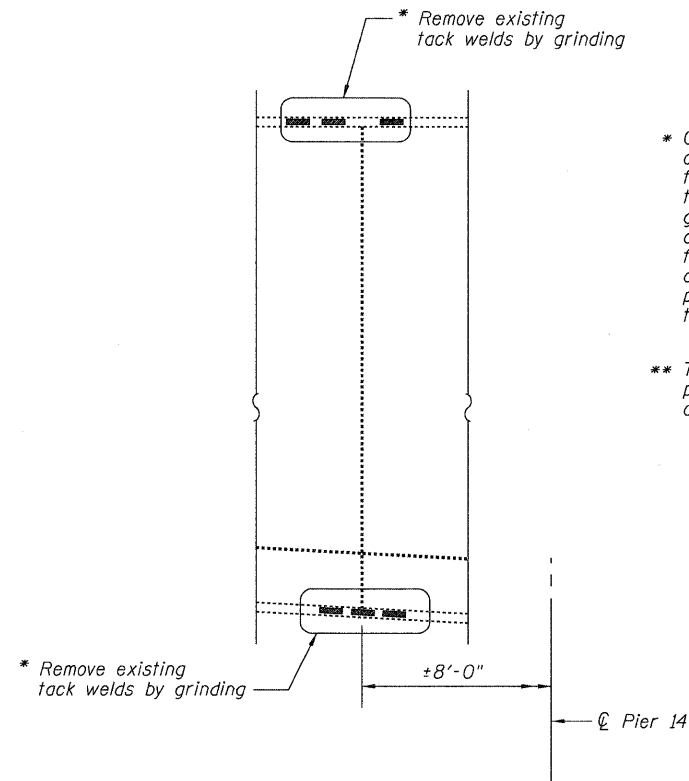


STATE OF ILLINOIS
DEPARTMENT OF TRANSPORTATION



SHOULDER BOLT DETAIL

Note:
Install shoulder bolts with 1/16" gap between bolt head and plate washer.

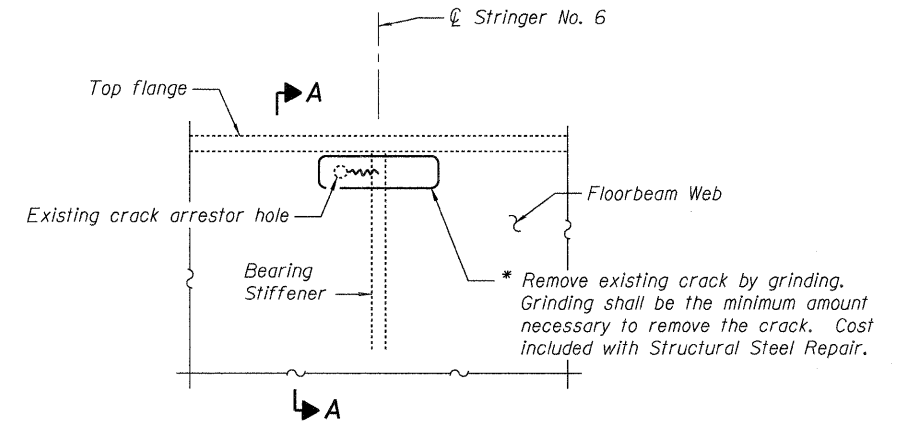


**TACK WELD REMOVAL
SPAN 15, INSIDE SOUTH GIRDER**

(Looking West)

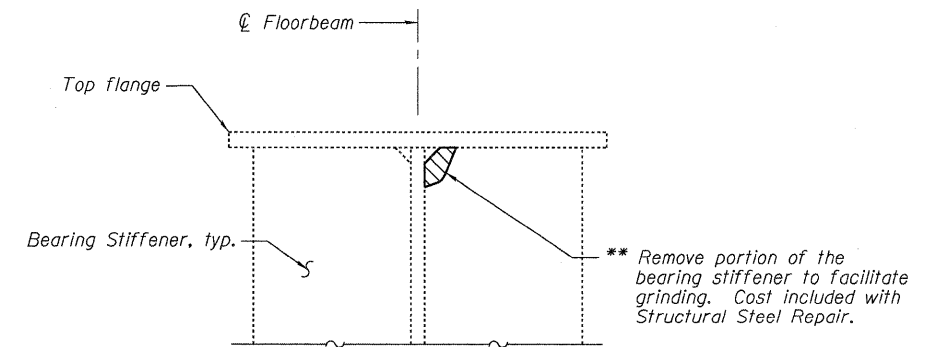
* Grinding shall be done parallel to the longitudinal axis of the member. Ground surfaces shall be inspected for cracks using dye penetrant or magnetic particle testing. Any cracks that can not be removed by grinding approximately 1/4" deep shall be identified and reported to the Bureau of Bridges and Structures for further disposition. Ground surfaces shall be spot cleaned and painted with an aluminum epoxy mastic primer followed by a final coat to match the color of the existing beam.

** The Contractor shall submit limits of removal and procedure for approval to the Engineer prior to commencing work.



**STRUCTURAL STEEL REPAIR I
PIER 13, FLOORBEAM 7**

Looking South



SECTION A-A

Note:
Coordinate Structural Steel Repair I with field welding of stiffeners, see Sheet No. 33 of 33 for details.

MISSING FASTENER REPLACEMENT

SPAN	MEMBER	LOCATION	REQUIRED NO. BOLTS	BOLT LENGTH	THREAD LENGTH
10	Stringer 5 at Floorbeam 5	Stringer to floorbeam connection / fixed side of relief joint	2	2 5/16"	1 1/2"
11	Stringer 5 at Floorbeam 6	Stringer to floorbeam connection / expansion side of relief joint	2	See Shoulder Bolt Detail	
14	Floorbeam 4 at Inside North Girder	Floorbeam bottom flange to girder connection	1	2 5/16"	1 1/2"
17	Stringer 6 at Floorbeam 5	Stringer to floorbeam connection / expansion side of relief joint	1	See Shoulder Bolt Detail	

Note:
Missing fasteners shall be replaced with 7/8" φ H.S. bolts unless noted otherwise.

Note:
All costs associated with replacing missing fasteners and removing tack welds shall be included with the cost for Structural Steel Repair.

BILL OF MATERIAL

Item	Unit	Total
Structural Steel Repair	Pound	10

**MISCELLANEOUS STEEL
REPAIR DETAILS - 5
I-80 OVER
MISSISSIPPI RIVER
STRUCTURE NO. 081-0011**

DESIGNED	RLM
CHECKED	DWP
DRAWN	AEC
CHECKED	RLM

09/17/09



SHEET NO.	F.A.I. RTE.	SECTION	COUNTY	TOTAL SHEETS	SHEET NO.
21	80	(81-1B)M-4	ROCK ISLAND	75	48
33 SHEETS		SN 081-0011			CONTRACT NO. 64F31
FED. ROAD DIST. NO. 7 ILLINOIS FED. AID PROJECT					