

STATE OF ILLINOIS  
DEPARTMENT OF TRANSPORTATION

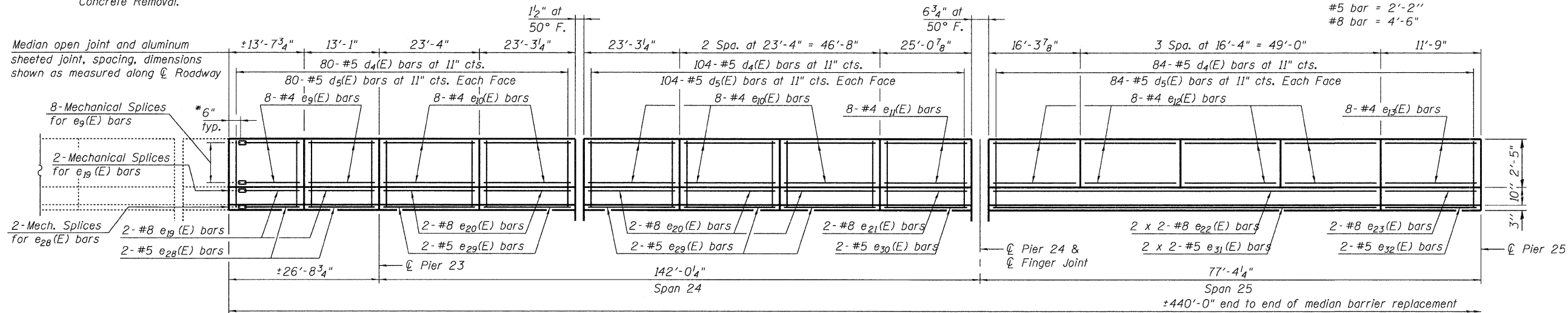
MINIMUM BAR LAP

(Median Barrier)  
#5 bar = 2'-2"  
#8 bar = 4'-6"

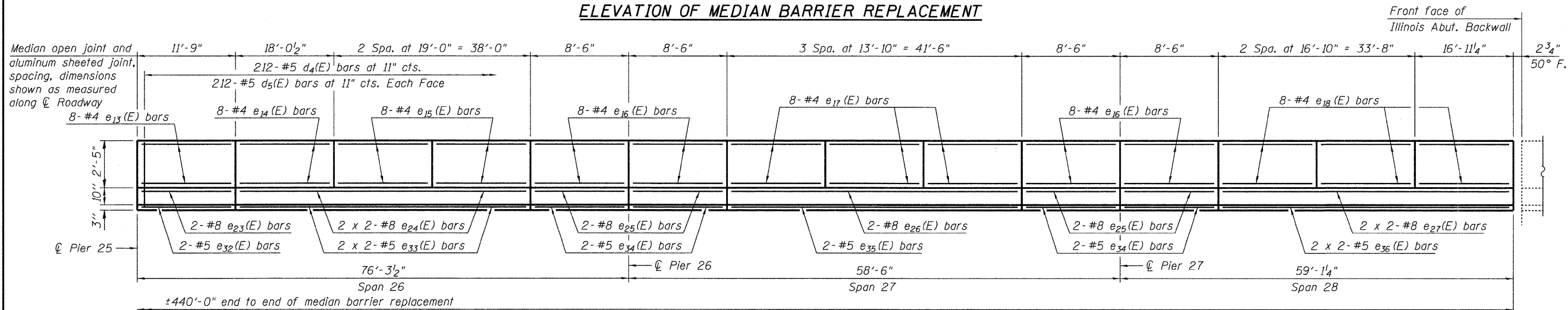
SUPERSTRUCTURE  
BILL OF MATERIAL

Bar	No.	Size	Length	Shape
d <sub>4</sub> (E)	480	#5	8'-0"	□
d <sub>5</sub> (E)	960	#5	2'-9"	▲
e <sub>9</sub> (E)	16	#4	12'-10"	—
e <sub>10</sub> (E)	40	#4	23'-0"	—
e <sub>11</sub> (E)	8	#4	24'-9"	—
e <sub>12</sub> (E)	32	#4	16'-0"	—
e <sub>13</sub> (E)	16	#4	11'-6"	—
e <sub>14</sub> (E)	8	#4	17'-9"	—
e <sub>15</sub> (E)	16	#4	18'-9"	—
e <sub>16</sub> (E)	32	#4	8'-3"	—
e <sub>17</sub> (E)	24	#4	13'-7"	—
e <sub>18</sub> (E)	24	#4	16'-8"	—
e <sub>19</sub> (E)	4	#8	12'-10"	—
e <sub>20</sub> (E)	10	#8	23'-0"	—
e <sub>21</sub> (E)	2	#8	24'-9"	—
e <sub>22</sub> (E)	4	#8	35'-0"	—
e <sub>23</sub> (E)	4	#8	11'-6"	—
e <sub>24</sub> (E)	4	#8	31'-3"	—
e <sub>25</sub> (E)	8	#8	8'-3"	—
e <sub>26</sub> (E)	2	#8	41'-3"	—
e <sub>27</sub> (E)	4	#8	27'-6"	—
e <sub>28</sub> (E)	4	#5	12'-10"	—
e <sub>29</sub> (E)	10	#5	23'-0"	—
e <sub>30</sub> (E)	2	#5	24'-9"	—
e <sub>31</sub> (E)	4	#5	33'-9"	—
e <sub>32</sub> (E)	4	#5	11'-6"	—
e <sub>33</sub> (E)	4	#5	30'-0"	—
e <sub>34</sub> (E)	8	#5	8'-3"	—
e <sub>35</sub> (E)	2	#5	41'-3"	—
e <sub>36</sub> (E)	4	#5	26'-3"	—
Reinforcement Bars, Epoxy Coated		Pound	12,400	
Concrete Superstructure		Cu. Yd.	103.3	
Mechanical Splice		Each	12	

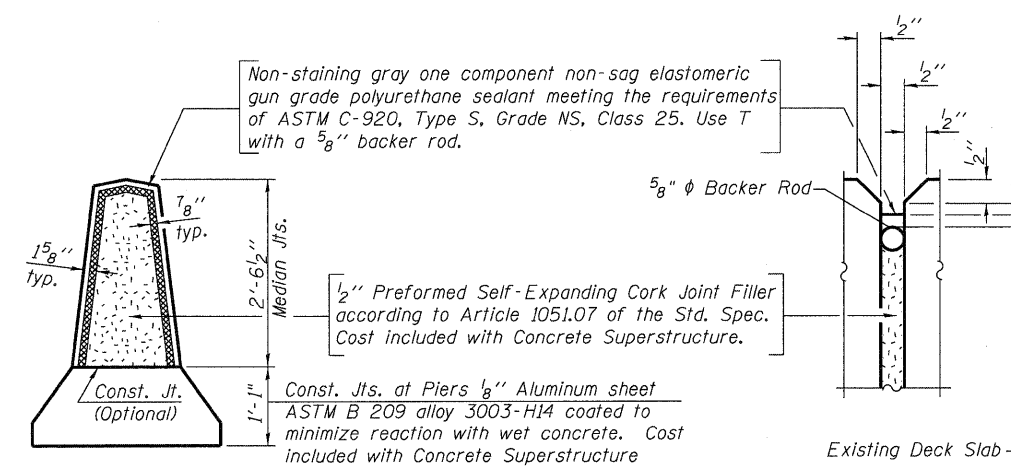
\* Cut existing median barrier reinforcement, clean and straighten. Cost included with Concrete Removal.



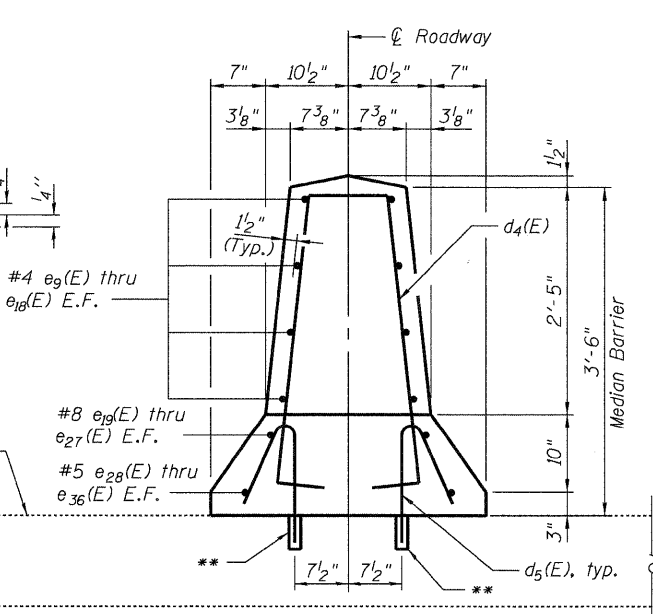
ELEVATION OF MEDIAN BARRIER REPLACEMENT



ELEVATION OF MEDIAN BARRIER REPLACEMENT

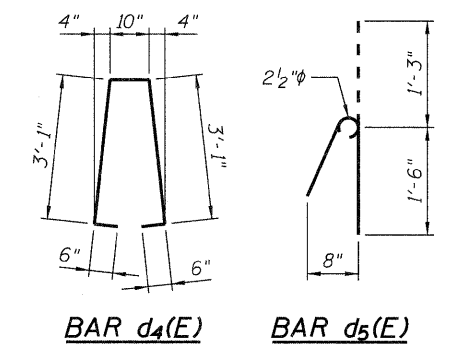
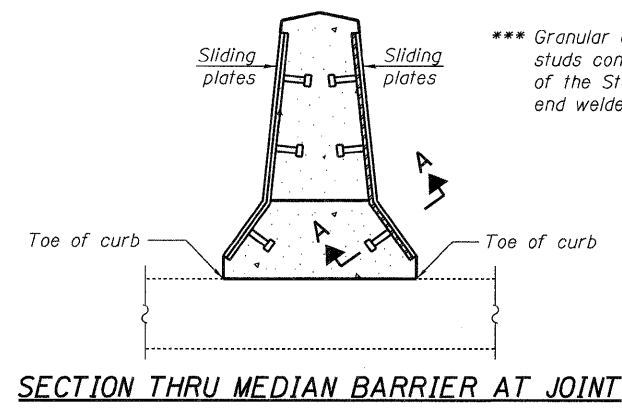


MEDIAN JOINT DETAILS

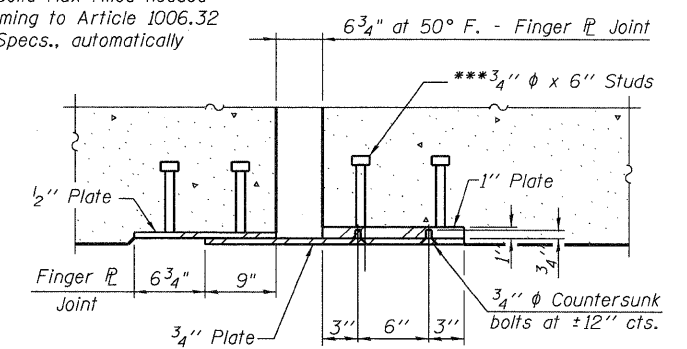


SECTION THRU MEDIAN BARRIER

\*\* Epoxy grout #5 d<sub>5</sub>(E) bar according to Article 584 of the Standard Specifications. Maximum depth of hole shall not exceed 6". Cost included with Reinforcement Bars, Epoxy Coated.



\*\*\* Granular or solid flux filled headed studs conforming to Article 1006.32 of the Std. Specs., automatically end welded.



CONCRETE MEDIAN DETAILS  
I-80 OVER  
MISSISSIPPI RIVER  
STRUCTURE NO. 081-0011

Notes:  
Cost of sliding plate assembly at the finger plate joint shall be included with Expansion Joint (Special).  
Sliding plate assembly shall be galvanized after fabrication according to Article 520.03 of the Standard Specifications.

DESIGNED	YSS
CHECKED	DWP
DRAWN	PRC
CHECKED	YSS
09/17/09	



SHEET NO. 27 33 SHEETS	F.A.I. RTE.	SECTION	COUNTY	TOTAL SHEETS	SHEET NO.
	80	(81-1B)M-4	ROCK ISLAND	75	54
SN 081-0011			CONTRACT NO. 64F31		
FED. ROAD DIST. NO. 7 ILLINOIS FED. AID PROJECT					