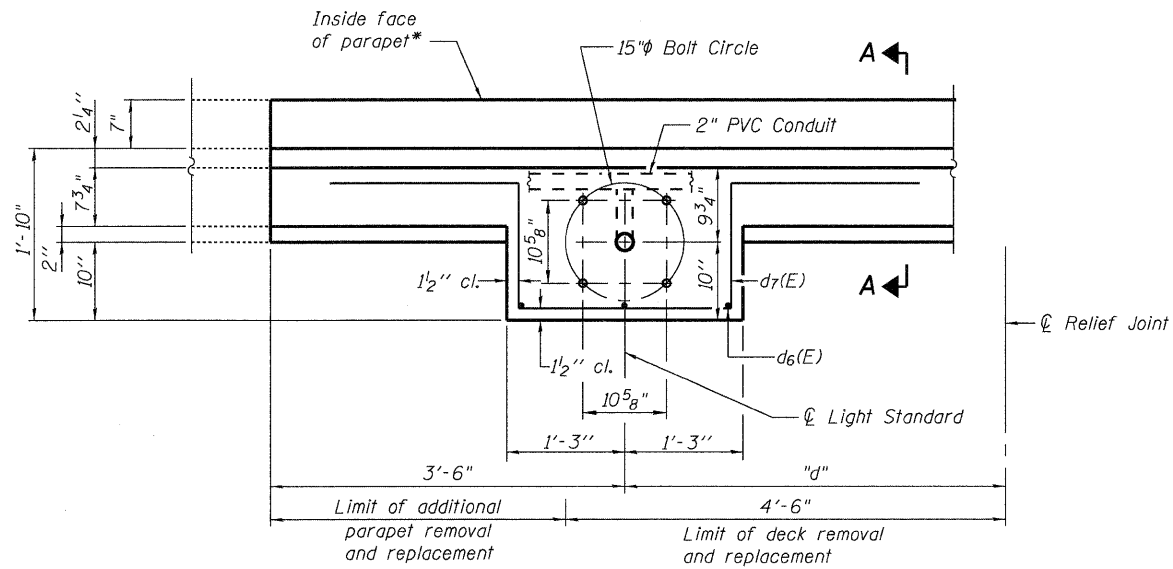


STATE OF ILLINOIS
DEPARTMENT OF TRANSPORTATION

* Locations where existing parapet requires additional removal to facilitate light standard replacement care should be taken to clean, strengthen and incorporate existing reinforcement. Cost included with Concrete Removal.



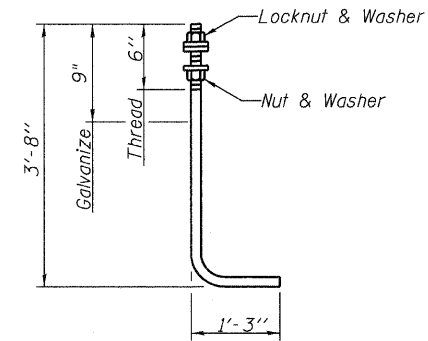
PLAN
LIGHT STANDARD REPLACEMENT

See Table for locations

Note:
For deck removal, see Sheet Nos. 25 and 26 of 33.

TABLE OF DIMENSIONS

SPAN	FLRBM NO.	"d"
9	FB4	± 3'-10" North of Relief Joint
11	FB2	± 4'-10" North of Relief Joint
17	FB5	± 3'-10" South of Relief Joint
19	FB3	± 3'-10" South of Relief Joint
21	FB2	± 4'-0" South of Relief Joint
24	FB2	± 4'-0" South of Relief Joint

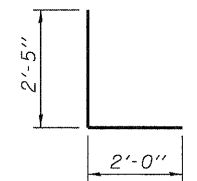


1 1/4" ANCHOR BOLT

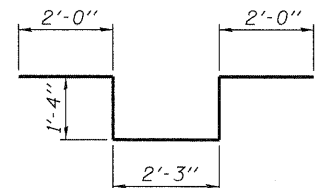
SUPERSTRUCTURE
BILL OF MATERIAL

Bar	No.	Size	Length	Shape
d6(E)	18	#6	4'-5"	L
d7(E)	30	#6	8'-11"	U
		Reinforcement Bars, Epoxy Coated	Pound	530
		Concrete Removal	Cu. Yd.	3.6
		Concrete Superstructure	Cu. Yd.	3.6

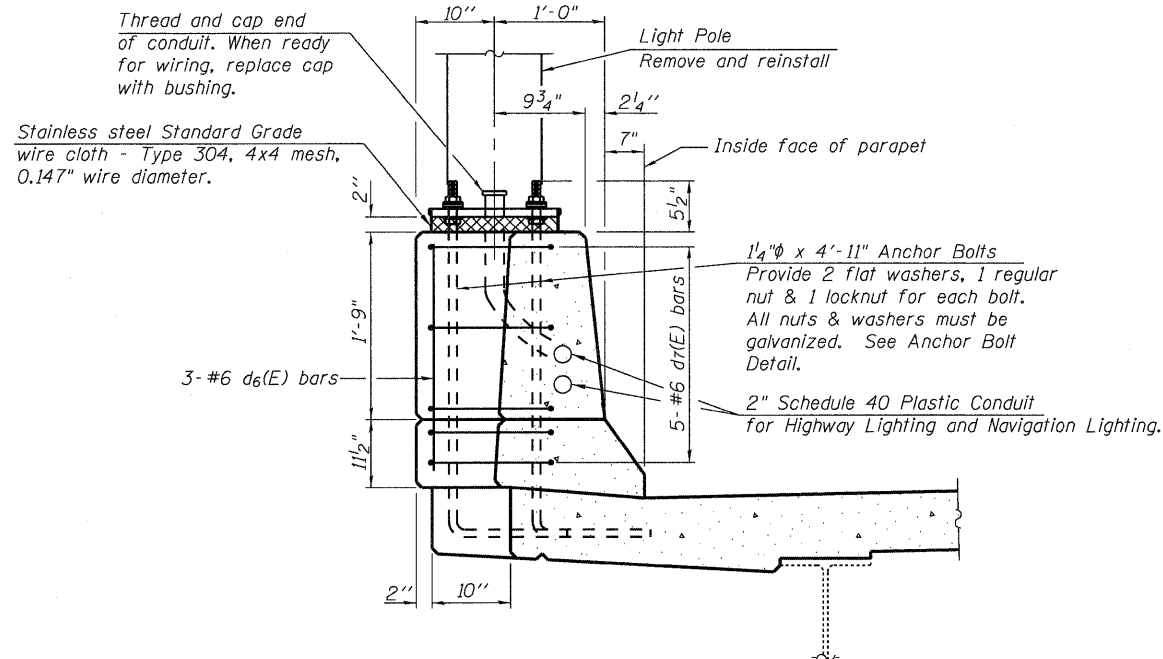
Note:
Reinforcement bars designated (E) shall be epoxy coated.



BAR d6(E)

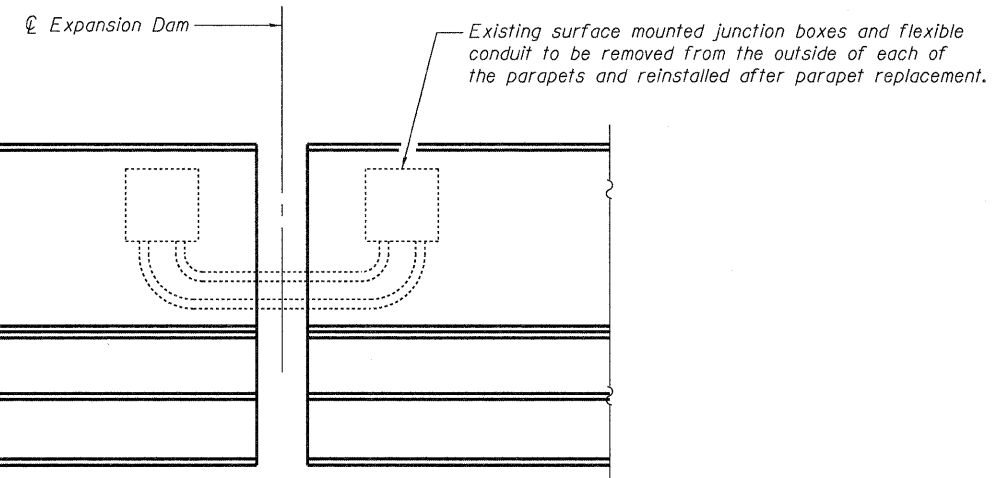


BAR d7(E)



SECTION A-A

Note:
Cost of anchor rods and conduit is included with Concrete Superstructure.



TYPICAL PARAPET ELEVATION AT EXPANSION DAM
SHOWING JUNCTION BOXES

Notes:
Services carried in conduits shall remain operational during construction.
Damaged or deteriorated conduit shall be called to the attention of the Engineer.
Conduit system damaged as a result of construction operations shall be repaired or replaced, at the Contractor's expense, to the satisfaction of the Engineer.
The cost for removal and replacement of the conduit system shall be included in the cost bid for Concrete Superstructure.

LIGHT STANDARD SUPPORT
AND MISCELLANEOUS CONCRETE DETAILS
I-80 OVER
MISSISSIPPI RIVER
STRUCTURE NO. 081-0011

DESIGNED	YSS
CHECKED	DWP
DRAWN	PRC
CHECKED	YSS



09/17/09

SHEET NO. 28	F.A.I. RTE.	SECTION	COUNTY	TOTAL SHEETS	SHEET NO.
	80	(81-1B)M-4	ROCK ISLAND	75	55
33 SHEETS	SN 081-0011		CONTRACT NO. 64F31		
FED. ROAD DIST. NO. 7 ILLINOIS FED. AID PROJECT					