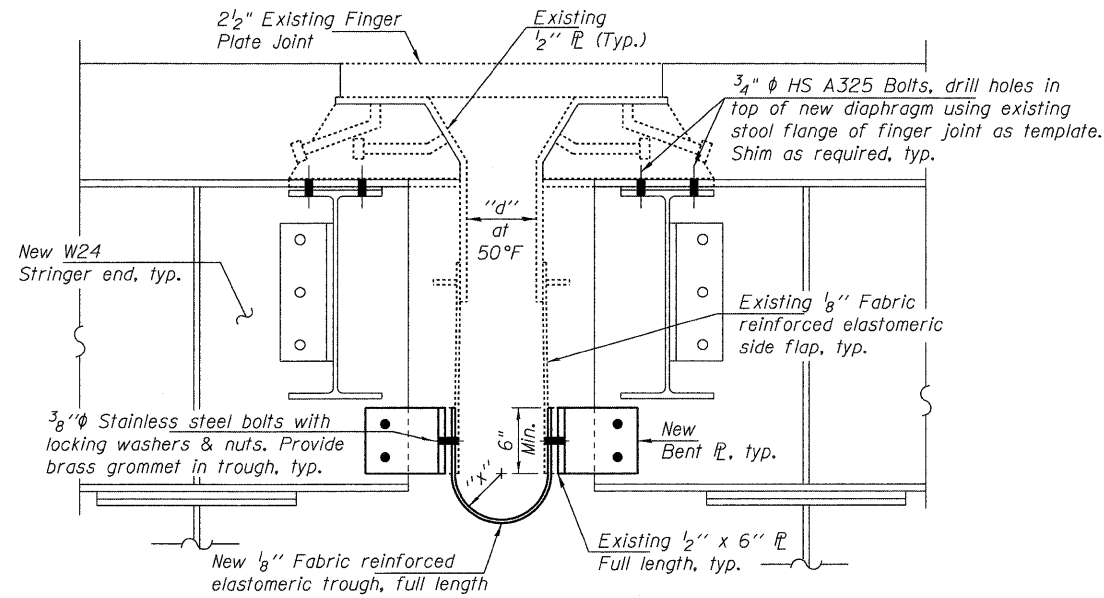
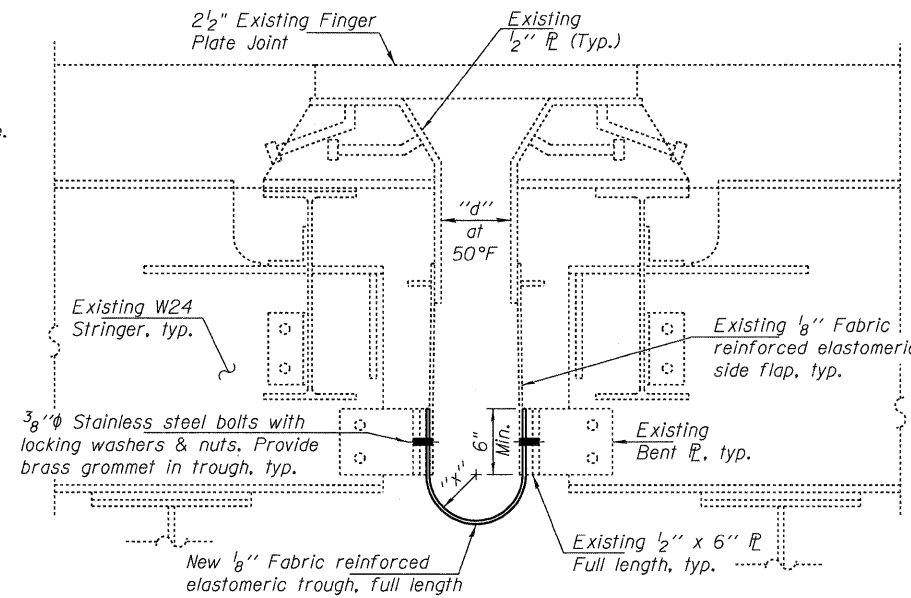


STATE OF ILLINOIS
DEPARTMENT OF TRANSPORTATION



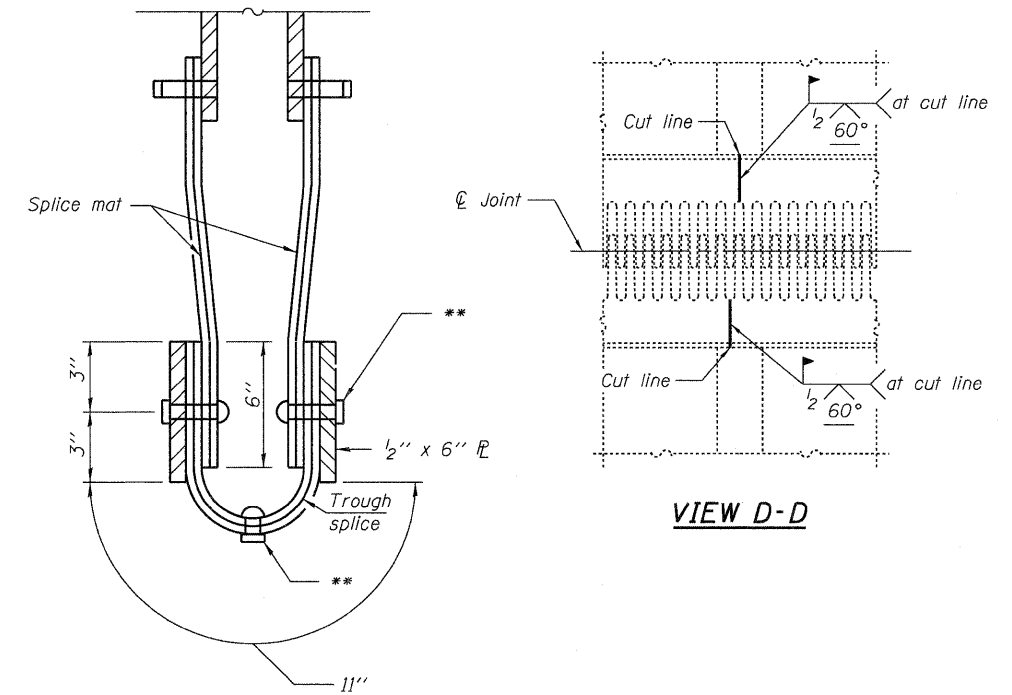
SECTION A-A

EXPANSION DAM AT STRINGER LINES 1, 2, 7 AND 8



SECTION B-B

EXPANSION DAM AT STRINGER LINES 3 THRU 6



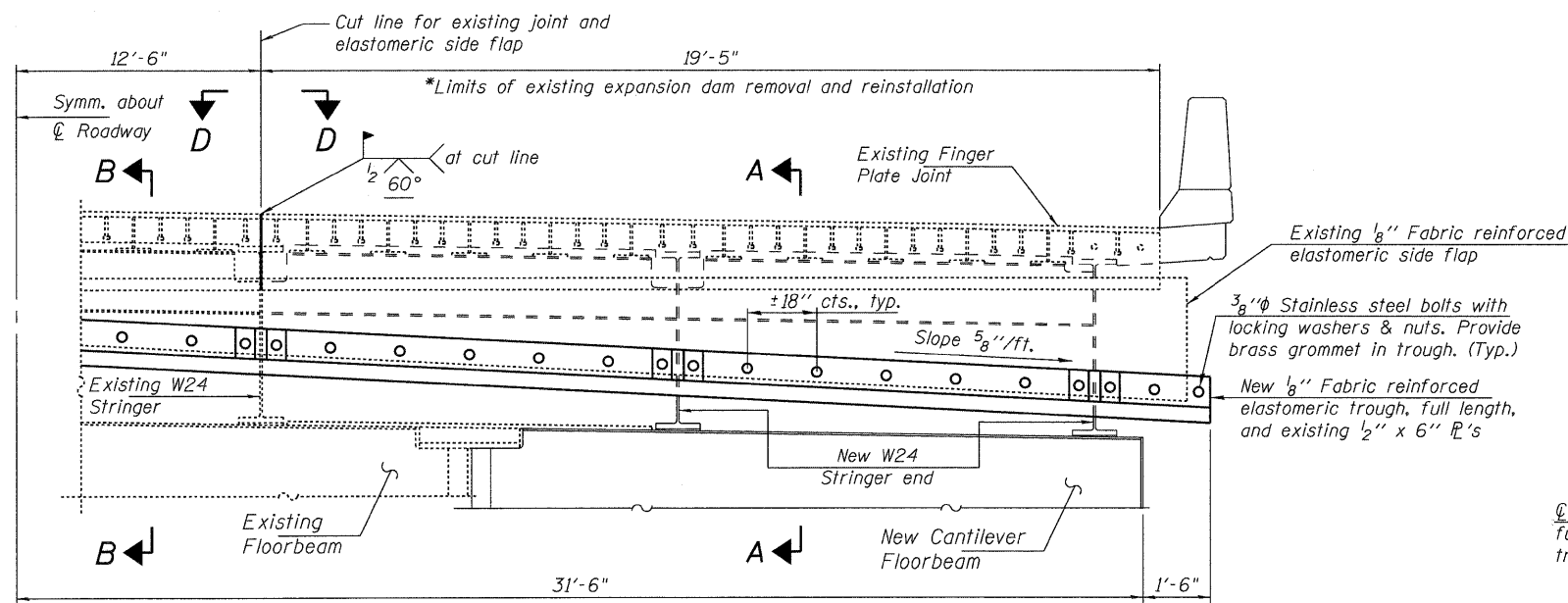
SECTION C-C

TABLE OF DIMENSIONS

LOCATION	"d"	"x"
Pier 8	6"	5"
Hinge 12	6"	5"
Hinge 13	5 1/4"	4 5/8"
Hinge 15	6"	5"
Pier 19	6 3/4"	5 3/8"
Pier 24	6 3/4"	5 3/8"

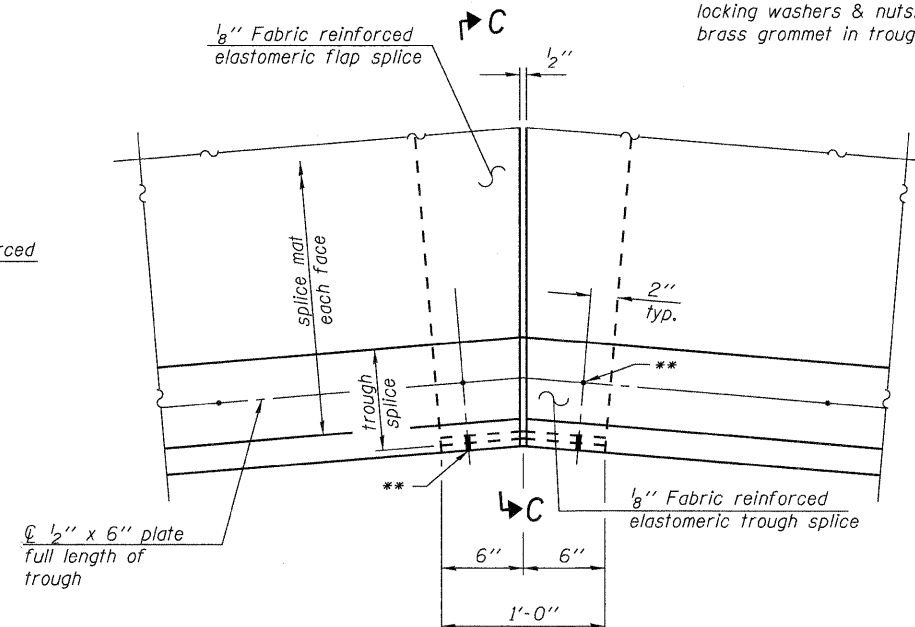
Note:
Studs damaged as a result of construction shall be replaced, at the contractor's expense to the satisfaction of the engineer.

** 3/8" φ Stainless Steel bolts with locking washers & nuts. Provide brass grommet in trough.



PART ELEVATION AT EXPANSION DAM SHOWING TROUGH

* Typical both sides of expansion dam except at Pier 8 and 24, girder span side only.



TROUGH SPLICE DETAIL

At centerline of bridge

Note:
Cost of the new full length 1/8" fabric reinforced elastomeric trough shall be included in Expansion Joint (Special).

Note:
Cost of removing, reinstalling and welding existing finger plate shall be included in Expansion Joint (Special).

BILL OF MATERIAL

Item	Unit	Total
Expansion Joint (Special)	Foot	233

EXPANSION DAM REPAIR
AND REPLACEMENT
I-80 OVER
MISSISSIPPI RIVER
STRUCTURE NO. 081-0011

DESIGNED	YSS
CHECKED	DWP
DRAWN	PRC
CHECKED	YSS
09/17/09	



SHEET NO.	F.A.I. RTE.	SECTION	COUNTY	TOTAL SHEETS	SHEET NO.
29	80	(81-1B)M-4	ROCK ISLAND	75	56
33 SHEETS		SN 081-0011	CONTRACT NO. 64F31		
		FED. ROAD DIST. NO. 7 ILLINOIS	FED. AID PROJECT		