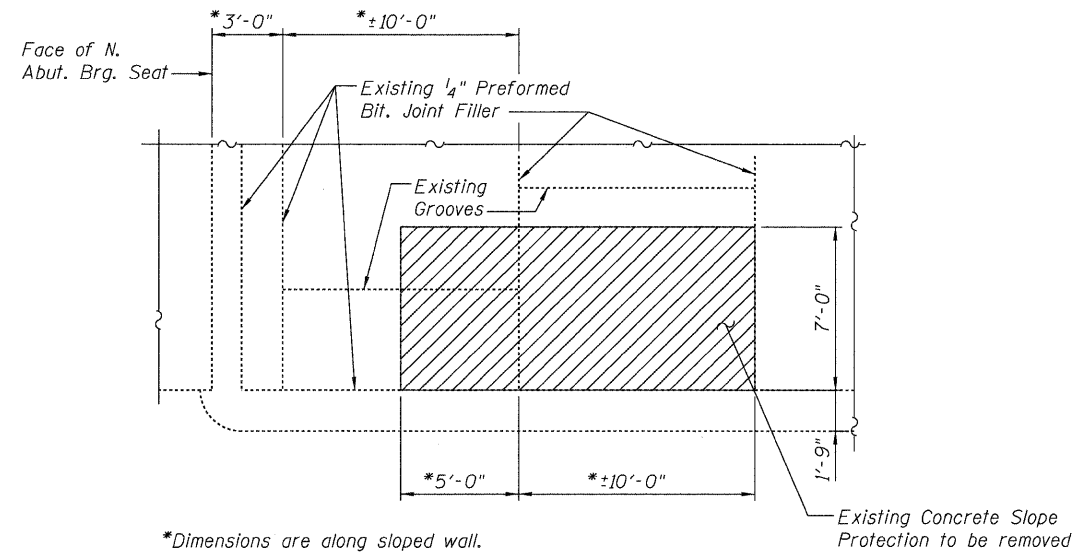
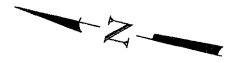
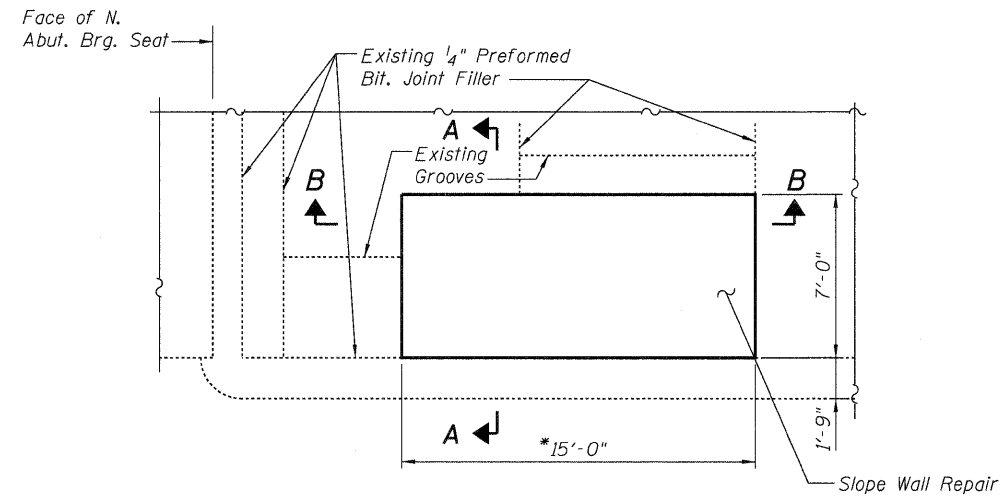


STATE OF ILLINOIS
DEPARTMENT OF TRANSPORTATION

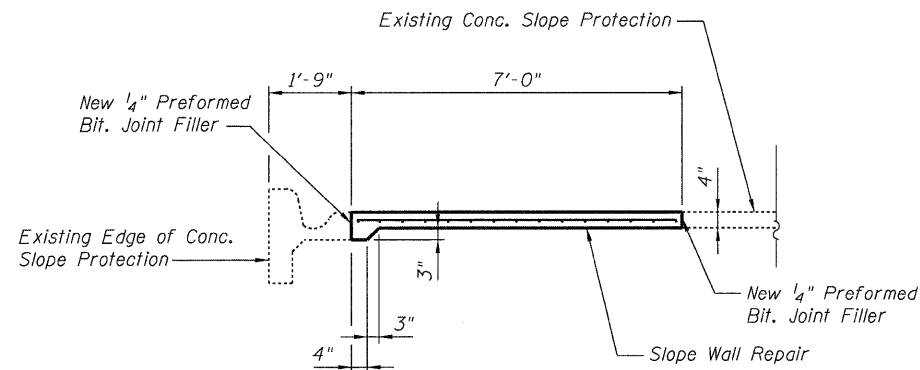


REMOVAL DETAIL

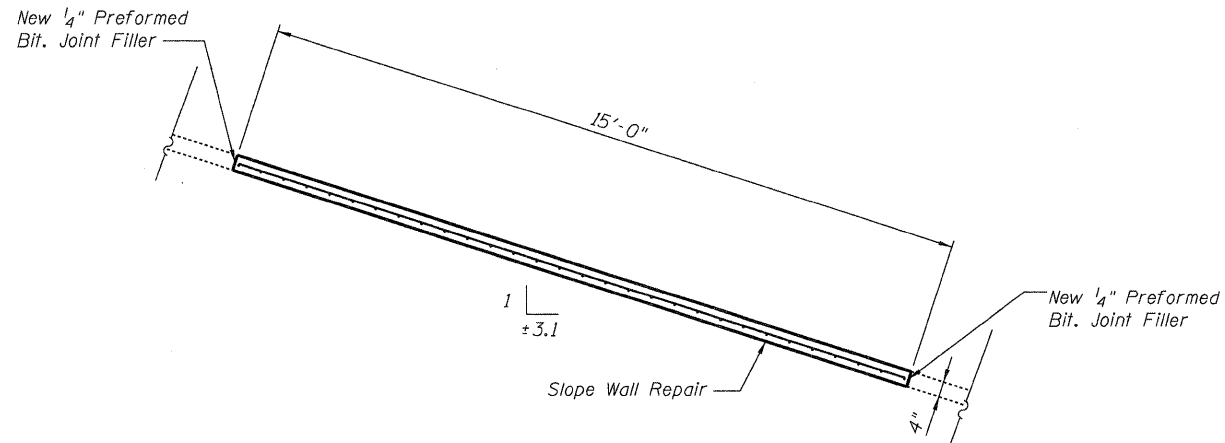


REPAIR DETAIL

SLOPE WALL REPAIR AT NORTH ABUTMENT



SECTION A-A



SECTION B-B

Note:
The existing earth bed below the concrete slope protection to be removed is eroded to a depth of approximately 3'-6". The Contractor shall furnish earth fill satisfactory to the Engineer and repair the earth bed as directed by the Engineer. All work required to repair the earth bed, including furnishing and placing earth fill, shall be paid for at the contract unit price per cubic yard for Embankment.
Slope wall shall be reinforced with welded wire fabric, 6" x 6" - W4.0 x W4.0, weighing 58 lbs. per 100 sq. ft.
Cost of the welded wire fabric is included with the cost of Slope Wall 4 inch.

BILL OF MATERIAL

Item	Unit	Total
Slope Wall Removal	Sq. Yd.	11.7
Embankment	Cu. Yd.	6.3
Slope Wall 4 inch	Sq. Yd.	11.7

**SLOPE WALL REPAIR DETAILS
I-80 OVER
MISSISSIPPI RIVER
STRUCTURE NO. 081-0011**

DESIGNED	RLM
CHECKED	DWP
DRAWN	AEC
CHECKED	RLM



09/17/09

SHEET NO. 31 33 SHEETS	F.A.I. RTE.	SECTION	COUNTY	TOTAL SHEETS	SHEET NO.
	80	(81-1B)M-4	ROCK ISLAND	75	58
	SN 081-0011		CONTRACT NO. 64F31		
FED. ROAD DIST. NO. 7 ILLINOIS FED. AID PROJECT					