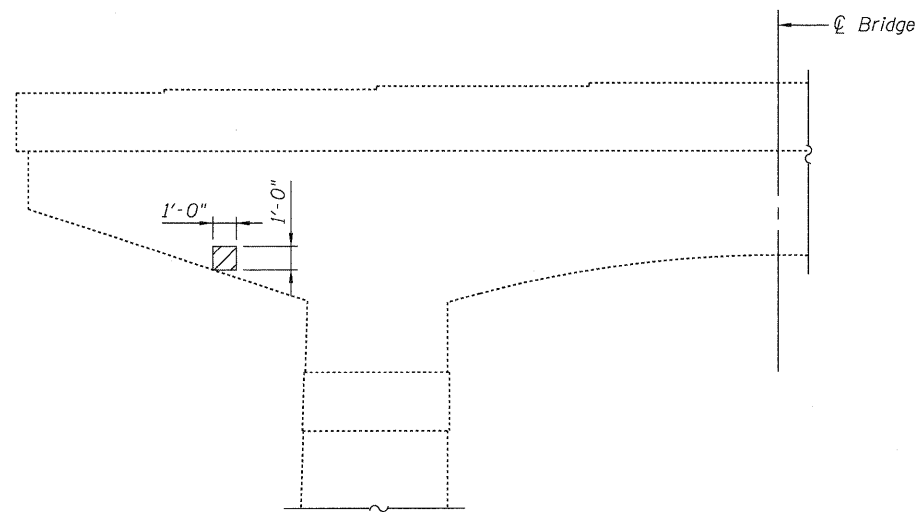
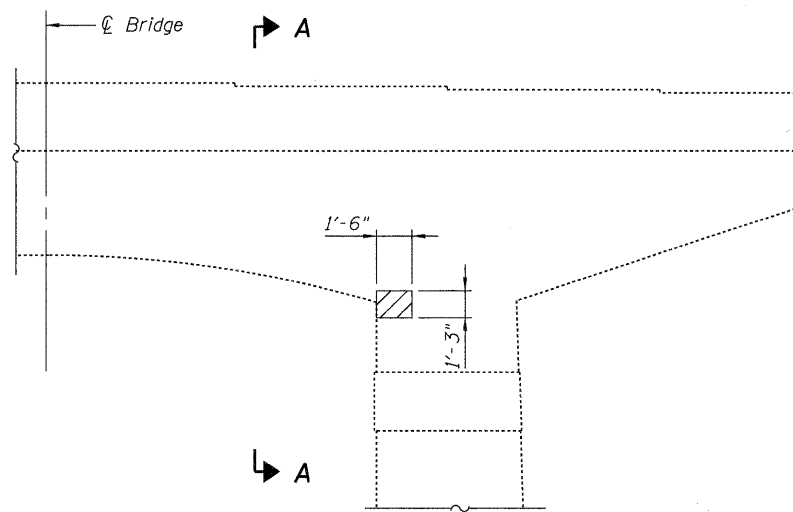


STATE OF ILLINOIS
DEPARTMENT OF TRANSPORTATION

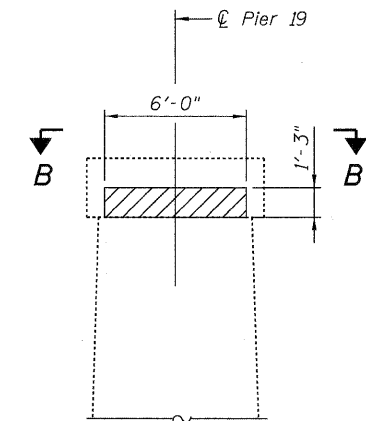


PARTIAL ELEVATION
(Looking South)



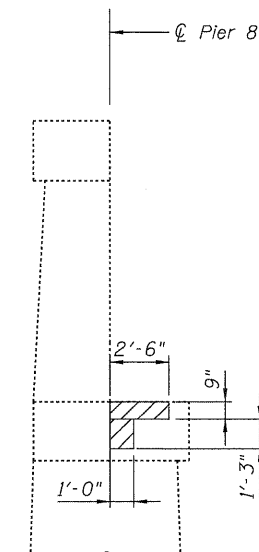
PARTIAL ELEVATION
(Looking North)

PIER 8 CONCRETE REPAIR

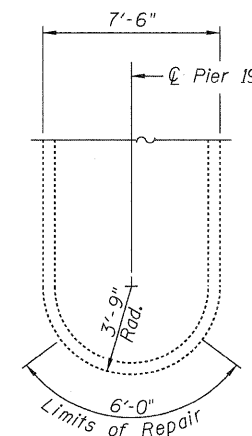


PIER 19 CONCRETE REPAIR
(Looking East)

Note:
Access ladders not shown for clarity. The Contractor may remove and reattach the access ladders to perform the required concrete repairs at his expense.



VIEW A-A



VIEW B-B

LEGEND

Structural Repair of Concrete
(Depth equal to or less than 5")

BILL OF MATERIAL

Item	Unit	Total
Structural Repair of Concrete (Depth equal to or less than 5")	Sq. Ft.	11.6

CONCRETE REPAIR DETAILS
I-80 OVER
MISSISSIPPI RIVER
STRUCTURE NO. 081-0011

DESIGNED	RLM
CHECKED	DWP
DRAWN	AEC
CHECKED	RLM

09/17/09



SHEET NO. 32 33 SHEETS	F.A.I. RTE.	SECTION	COUNTY	TOTAL SHEETS	SHEET NO.
	80	(81-1B)M-4	ROCK ISLAND	75	59
	SN 081-0011		CONTRACT NO. 64F31		
FED. ROAD DIST. NO. 7 ILLINOIS FED. AID PROJECT					