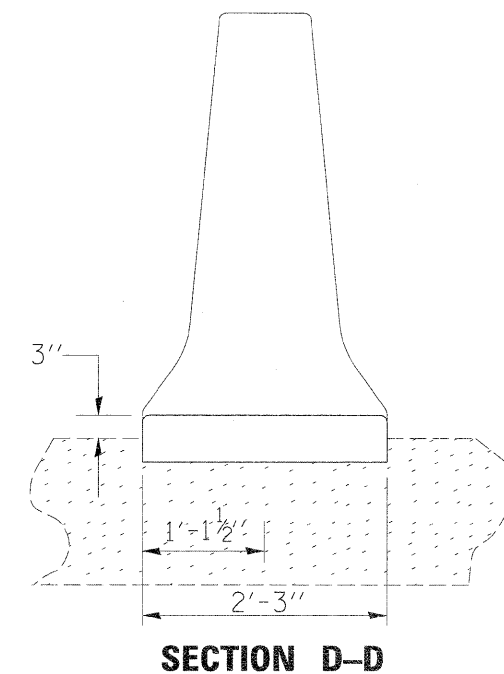
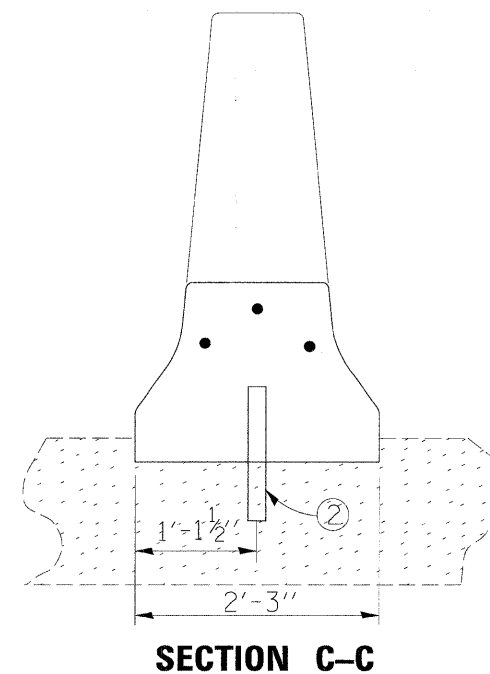
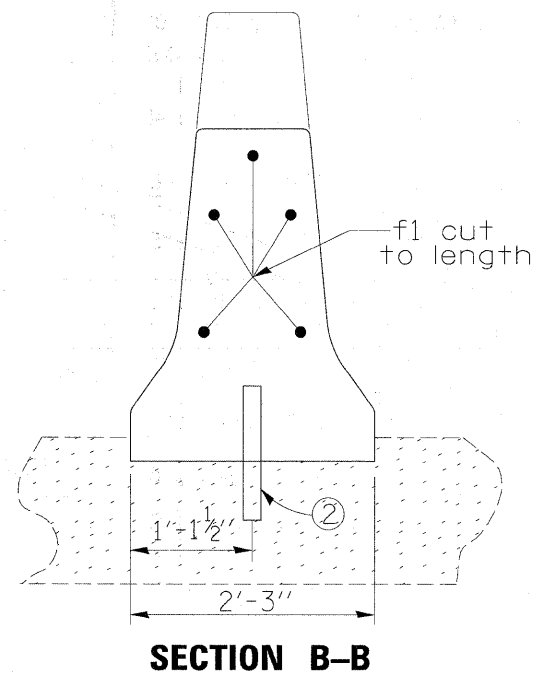
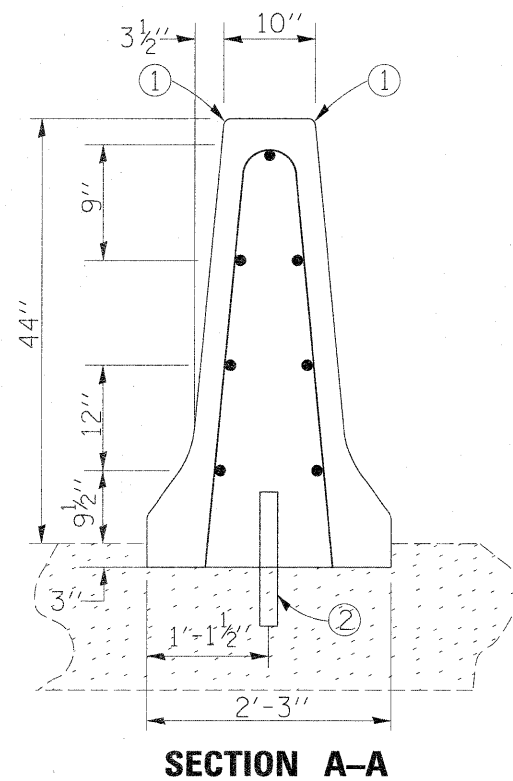


GENERAL NOTES:

- ① All exposed corners are to be filleted with a $\frac{3}{4}$ " dressed and beveled strip.
- ② 1 inch diameter deformed bars or sufficient length to ensure 6 inch minimum embedment in rail and supporting surface. Bars shall be either installed in supporting surface when placed or installed in drilled holes using polymer grout or hydraulic cement grout. Dower location may be adjusted 6 inches to avoid bridge approach reinforcement.
- ③ This work shall be paid for at the contract unit price per cu yd as Concrete Barrier Wall (Special).



FILE NAME =	USER NAME = cushmanbw	DESIGNED -	REVISED -	STATE OF ILLINOIS DEPARTMENT OF TRANSPORTATION	CONCRETE MEDIAN BARRIER TAPERED END SECTION				F.A.J. RTE.	SECTION	COUNTY	TOTAL SHEETS	SHEET NO.
c:\pwork\pwork\cushmanbw\0149192\d2489sp1.dgn		DRAWN -	REVISED -						80	(81-1B) M-4	ROCK ISLAND	75	63
		CHECKED -	REVISED -		CONTRACT NO. 64F31								
		DATE -	REVISED -		SCALE:	SHEET NO.	OF	SHEETS	STA.	TO STA.	FED. ROAD DIST. NO.	ILLINOIS FED. AID PROJECT	