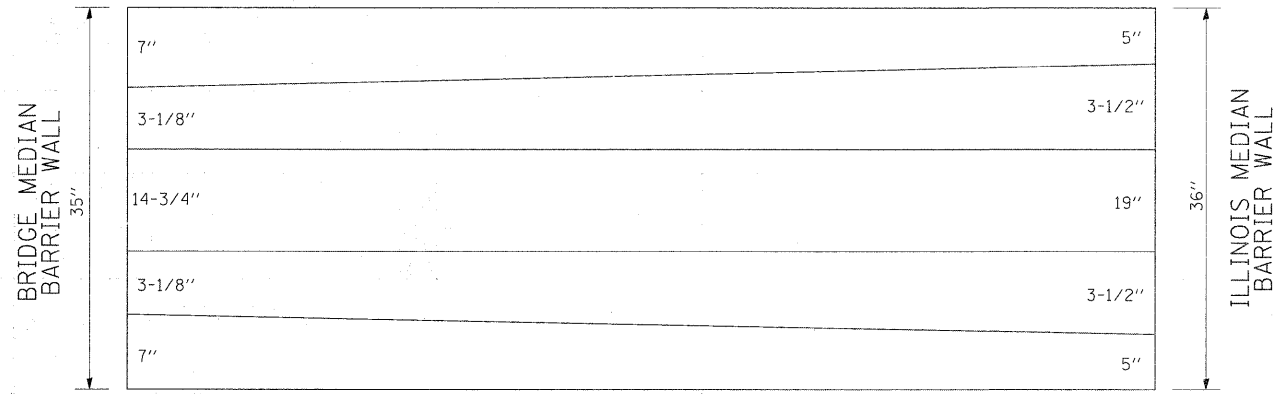
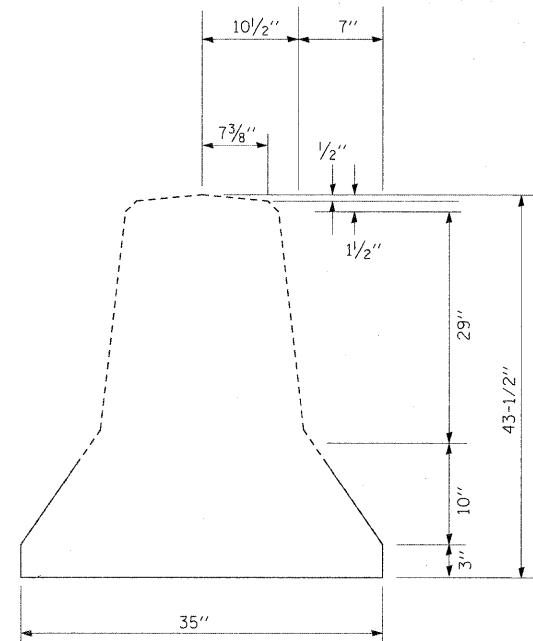


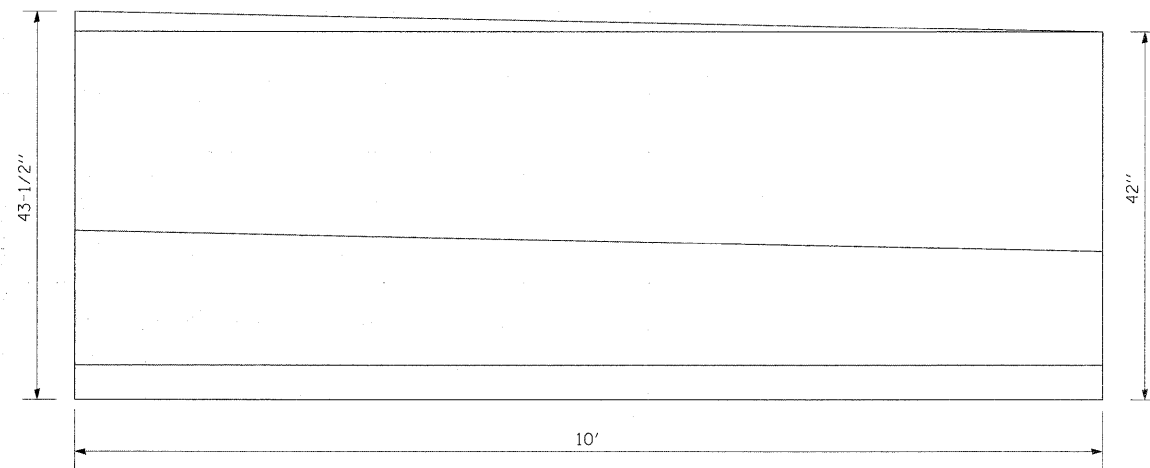
NOTE: ANCHORING SHALL BE DONE USING TIE BARS AS SHOWN IN STANDARD 736006.
 COST INCLUDED IN THE PAY ITEM "CONCRETE BARRIER TRANSITION".
 ALL DIMENSIONS ARE IN INCHES UNLESS OTHERWISE SHOWN.



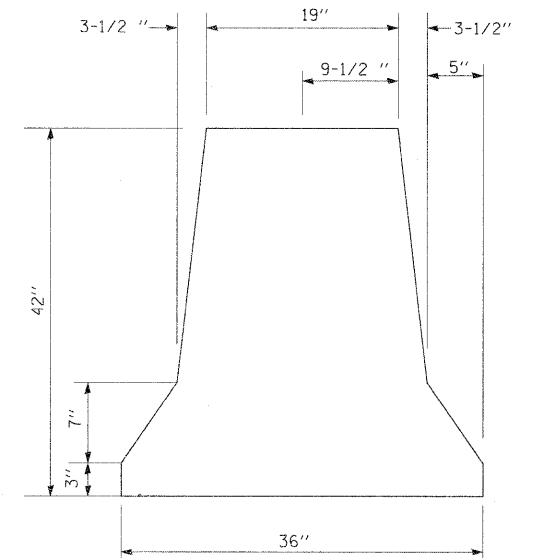
PLAN VIEW



END VIEW



ELEVATION VIEW



ILLINOIS MEDIAN
 END VIEW

| | | | | | | | | | | | |
|--|--------------------------------------|------------|-----------|---|------------------------------------|--------------------|-------------|-------------|-----------------|--------------|---------|
| FILE NAME = | USER NAME = cushmanbw | DESIGNED - | REVISED - | STATE OF ILLINOIS DEPARTMENT OF TRANSPORTATION | CONCRETE BARRIER TRANSITION | F.A.I. RTE. | SECTION | COUNTY | TOTAL SHEETS | SHEET NO. | |
| c:\pwork\pwork\cushmanbw\d0149192\d0149192.dgn | PLLOT SCALE = 50.0000' / IN. | DRAWN - | REVISED - | | | 80 | (81-1B) M-4 | ROCK ISLAND | 75 | 65 | |
| | PLDT DATE = Thu Sep 17 09:02:06 2009 | CHECKED - | REVISED - | | | CONTRACT NO. 64933 | | | | | |
| | | DATE - | REVISED - | | | SCALE: | SHEET NO. | OF | SHEETS | STA. | TO STA. |