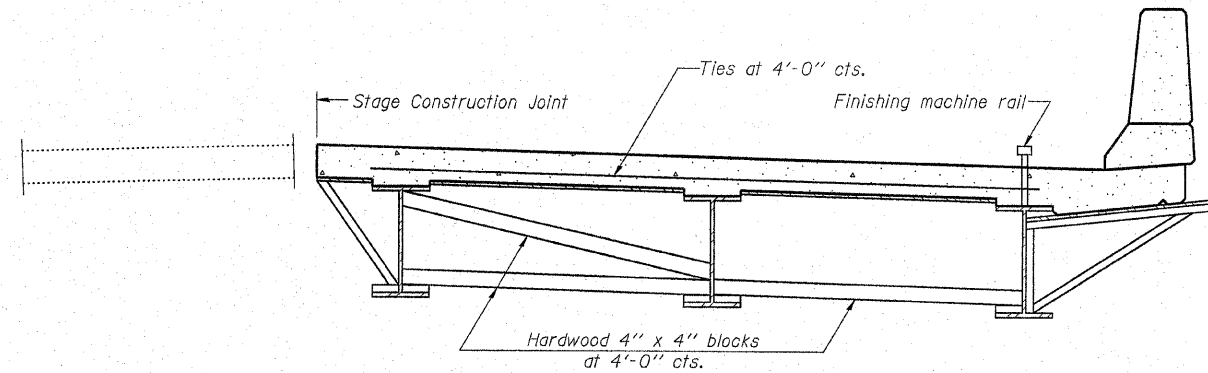


STATE OF ILLINOIS
DEPARTMENT OF TRANSPORTATION

F.A.P. RTE.	SECTION	COUNTY	TOTAL SHEETS	SHEET NO.
301	1-HBR-2F	WINNEBAGO	29	21
FED. ROAD DIST. NO. 7		ILLINOIS	CONTRACT NO. 64F62	

SHEET NO. 19
27 SHEETS



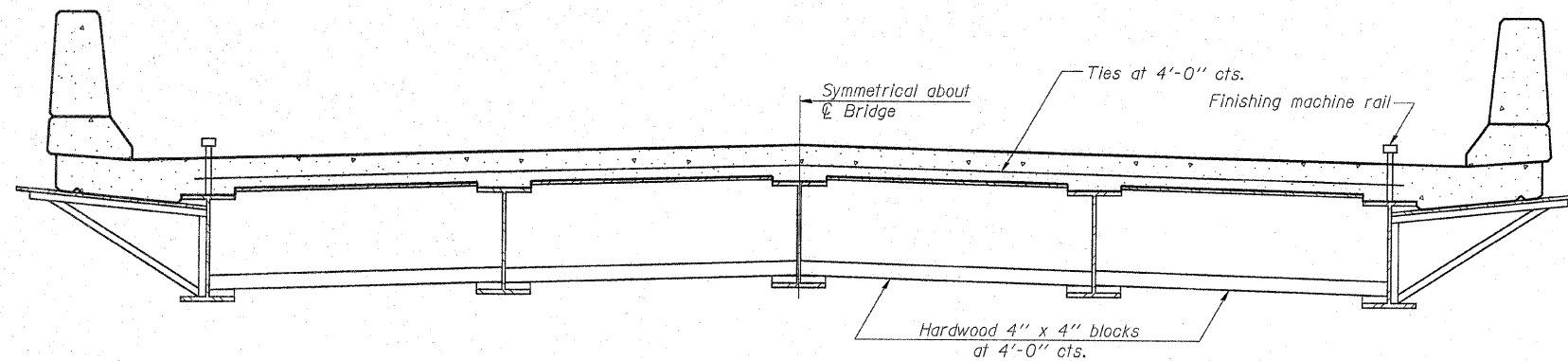
FORM BRACES FOR
STAGE CONSTRUCTION

When cantilever forming brackets are used, the work shall be done according to Article 503.06(b) of the Standard Specifications, except as modified below and in the details shown on this sheet.

The finishing machine rails shall be placed on the top flange of the exterior beams.

The beams or girders, supporting cantilever forming brackets, shall be tied together at 4 foot intervals.

For Standard construction, or Stage Construction the Hardwood bracing materials shall be placed as shown between webs of beams in each bay.



FORM BRACES FOR
STANDARD CONSTRUCTION

DESIGNED	GUN / OAO
CHECKED	FCO
DRAWN	TCS / GUN
CHECKED	FCO

SB-1

11-1-06

FOR INFORMATION ONLY
CANTILEVER FORMING BRACKETS
FOR SUPERSTRUCTURES WITH
W27 BEAMS AND SMALLER
MERIDIAN ROAD OVER US 20
F.A.P. 301 (US 20) - SEC. 1-HBR-2F
WINNEBAGO COUNTY
STATION 100+00
STRUCTURE NO. 101-0096

HOH HARRY O. HETTER-ASSOCIATES, INC.
DESIGN AND CONSULTING ENGINEERS
15 East Jackson Blvd.
Suite 600
Chicago, IL 60604
312-346-8131
PROJECT NUMBER
2945

12:07:15 PM 7/22/2009 A:\proj\sect\2945\DEMS\Structural\Meridian_Road\Draws from_SDD\DEN_Files\Final Drawings\1-2009\1010096-64D50-019-CANTILEVER FORMING BRACKET 5.dgn