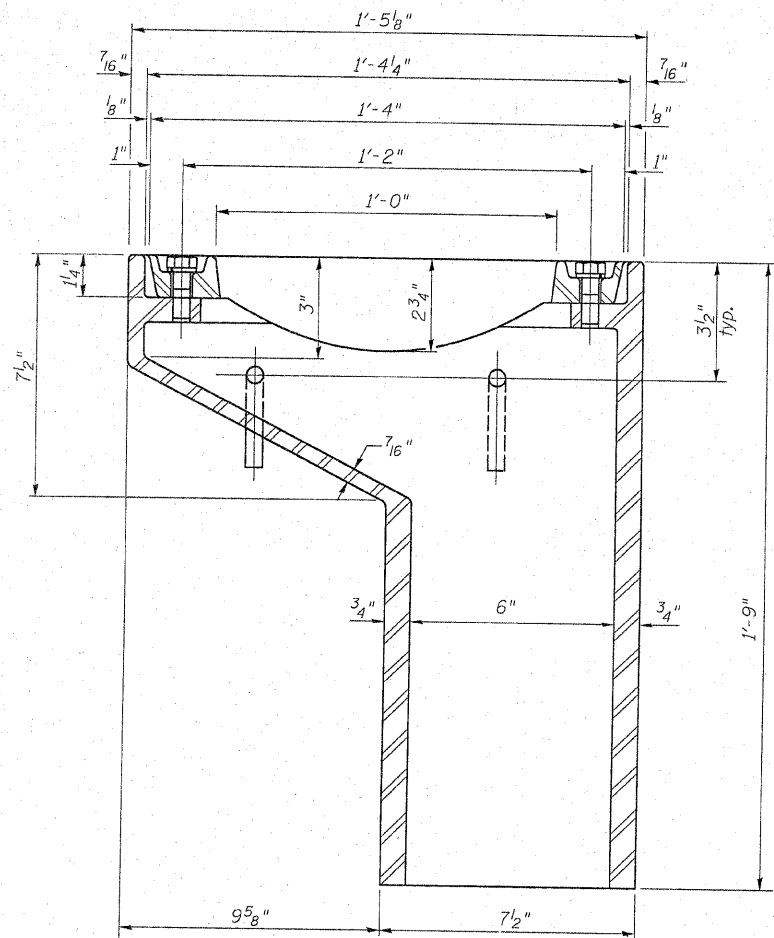
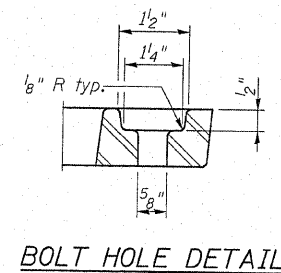
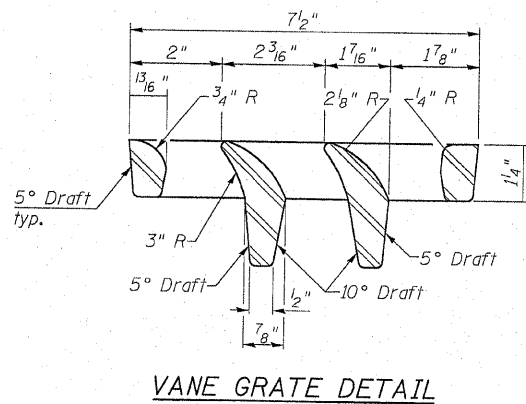
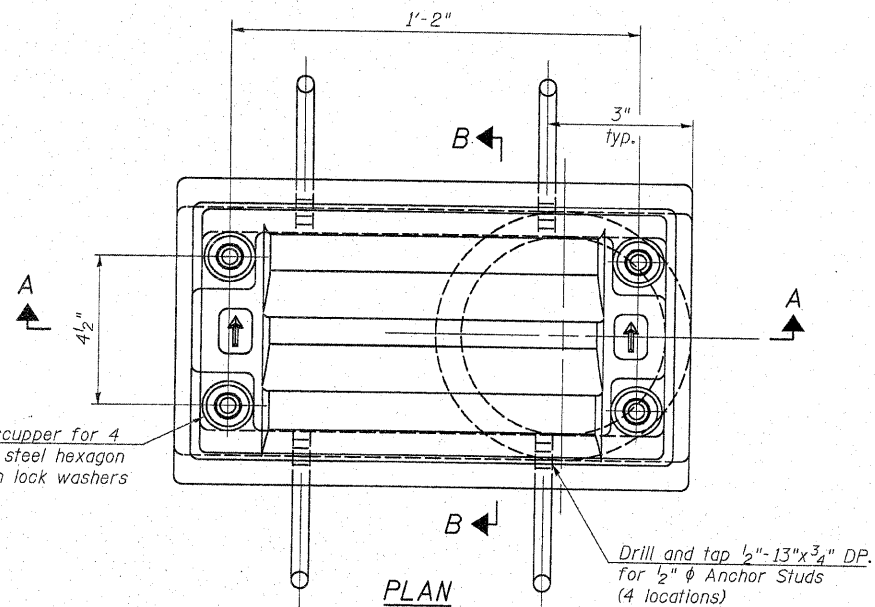
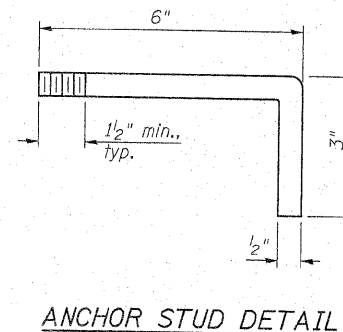
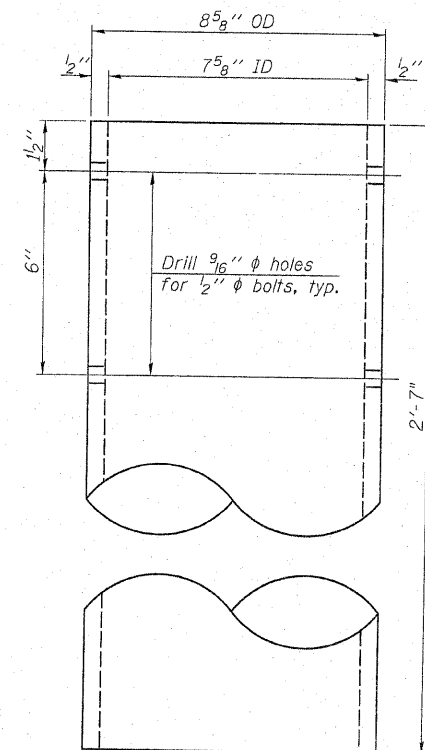
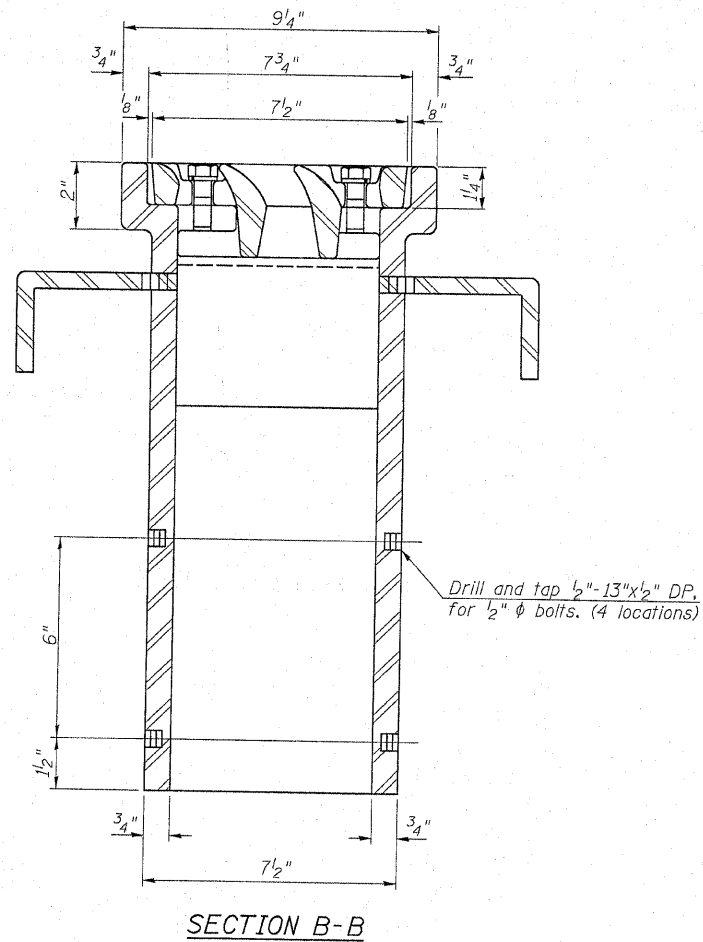


STATE OF ILLINOIS
DEPARTMENT OF TRANSPORTATION

F.A.P. RTE.	SECTION	COUNTY	TOTAL SHEETS	SHEET NO.	SHEET NO. 20 27 SHEETS
301	1-HBR-2F	WINNEBAGO	29	22	
FED. ROAD DIST. NO. 7	ILLINOIS	CONTRACT NO. 64F62			



See sheet 9 of 27 for scupper location relative to parapet.



BILL OF MATERIAL

ITEM	UNIT	QUANTITY
Drainage Scupper, DS-11	Each	2

FOR INFORMATION ONLY
DRAINAGE SCUPPER, DS-11
MERIDIAN ROAD OVER US 20
F.A.P. 301 (US 20) - SEC. 1-HBR-2F
WINNEBAGO COUNTY
STATION 100+00
STRUCTURE NO. 101-0096

DESIGNED	GUN / OAO
CHECKED	FCO
DRAWN	TCS / GUN
CHECKED	FCO

12:07:16 PM 7/22/2009 h:\proj\acts\2945\Structural\Meridian Road\Draws from SDNDGN Files\Final Drawgs I-2009\1010096-64F62-020-DRAINAGESCUPPER.dgn