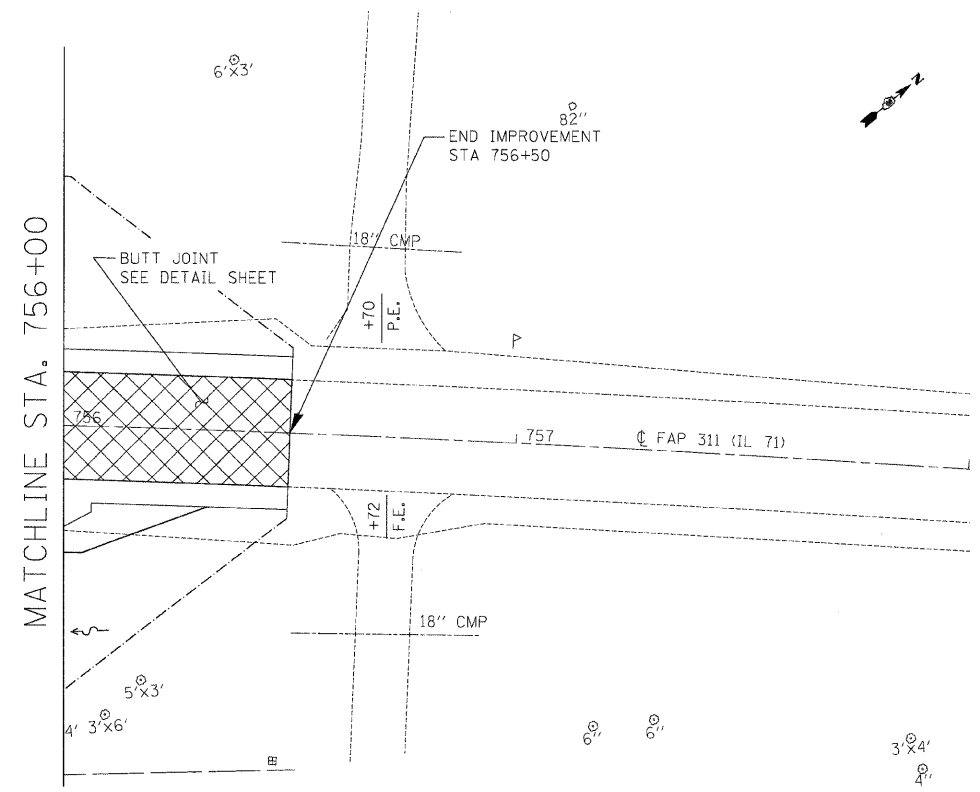
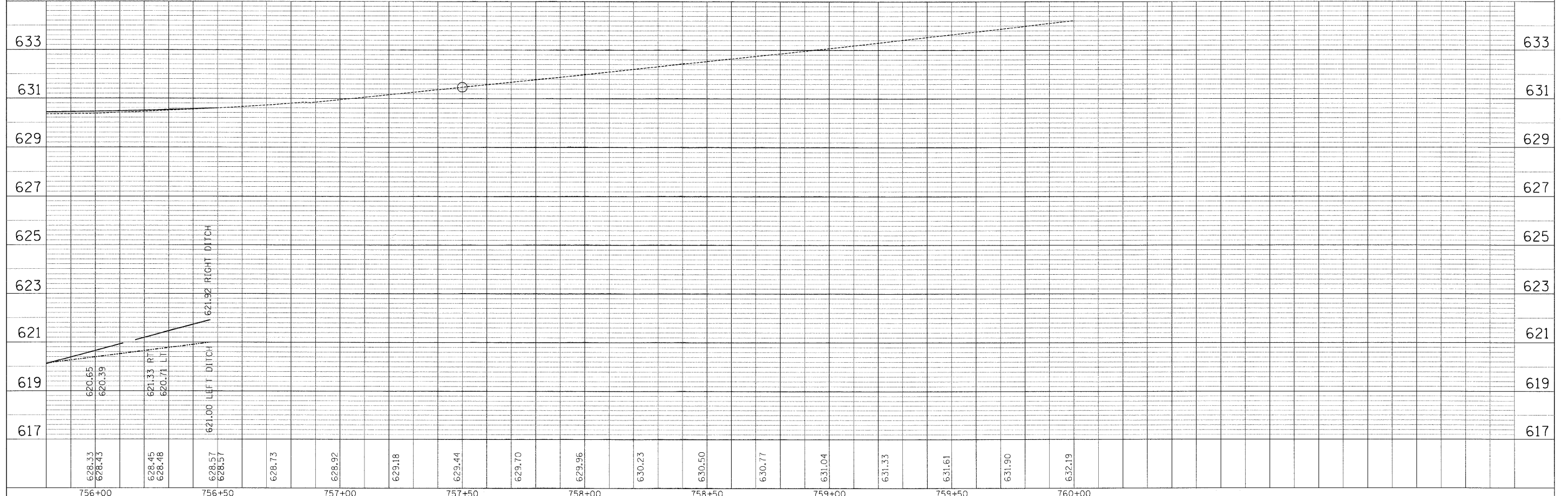
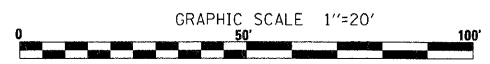


PLAN	SURVEYED	DATE
	PLOTTED	BY
	CHECKED	
	BY	
	DATE	
NOTE BOOK NO.	FILE NAME	

PROFILE	SURVEYED	DATE
	PLOTTED	BY
	CHECKED	
	BY	
	DATE	
NOTE BOOK NO.	FILE NAME	



PLAN



FILE NAME = ...D366741-SHT- PlnProf Sheets.dgn	USER NAME = SAW	DESIGNED - RAC	REVISED -	STATE OF ILLINOIS DEPARTMENT OF TRANSPORTATION	ILLINOIS ROUTE 71 PLAN AND PROFILE	F.A.P. RTE. 311	SECTION 3(BR) - 1, 2, & 3	COUNTY LASALLE	TOTAL SHEETS 66	SHEET NO. 14	
PLOT SCALE = 20.0000' / IN.	CHECKED - RAC	REVISIED -	SCALE:			SHEET NO. OF SHEETS	STA. 638+50 TO STA. 756+50	FED. ROAD DIST. NO.	ILLINOIS FED. AID PROJECT	CONTRACT NO. 66741	
PLOT DATE = 7/14/2009	DATE - 07/17/09	REVISIED -									