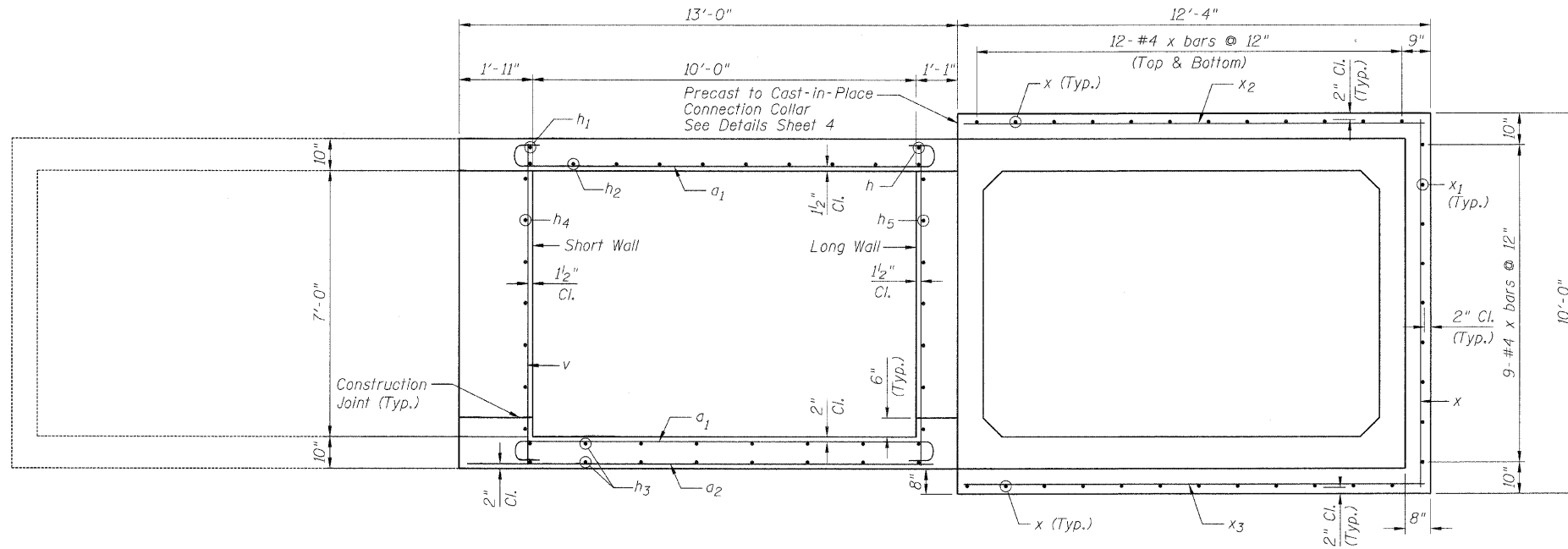
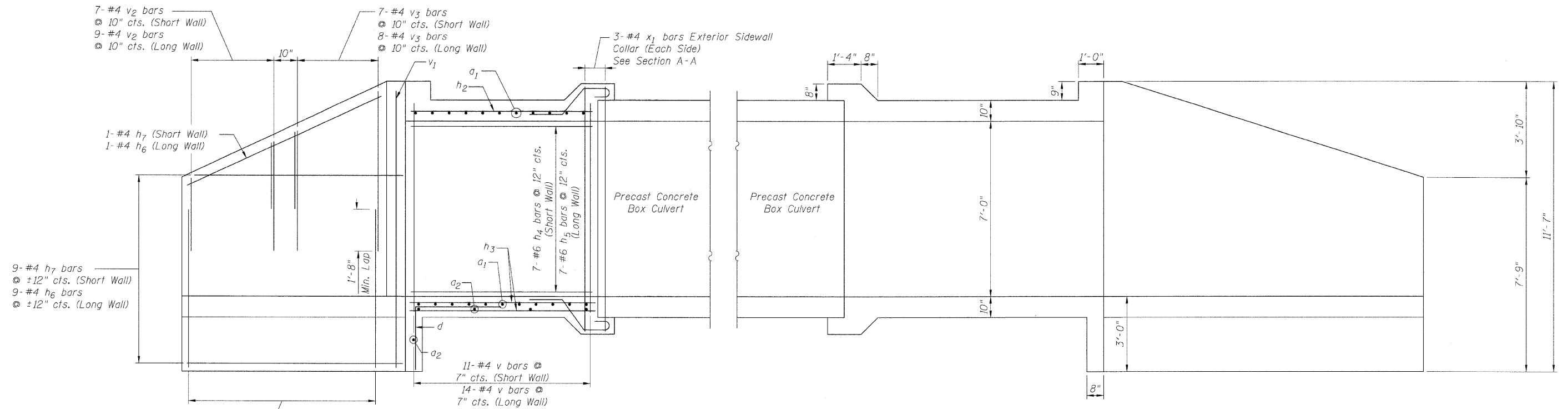


STATE OF ILLINOIS  
DEPARTMENT OF TRANSPORTATION

ROUTE NO.	SECTION	COUNTY	TOTAL SHEETS	SHEET NO.	SHEET NO. 3
F.A.P. 311	*	LaSalle	66	23	7 SHEETS
FED. ROAD DIST. NO. 7	ILLINOIS	FED. AID PROJECT	*(3)BR-1,2,3 & (4)BR Contract #66741		



SECTION A-A



ELEVATION

Note: Tilt hook of  $a_1$  bars if necessary for  $1\frac{1}{2}$ " min. cl.

DESIGNED	LAS
CHECKED	JLA
DRAWN	SAW
CHECKED	LAS

CULVERT SECTIONS  
IL 71 OVER MISSION CREEK  
FAP ROUTE 311  
SECTION (3)BR-1,2,3 & (4)BR  
LASALLE COUNTY  
STA. 754+35  
S.N. 050-2047