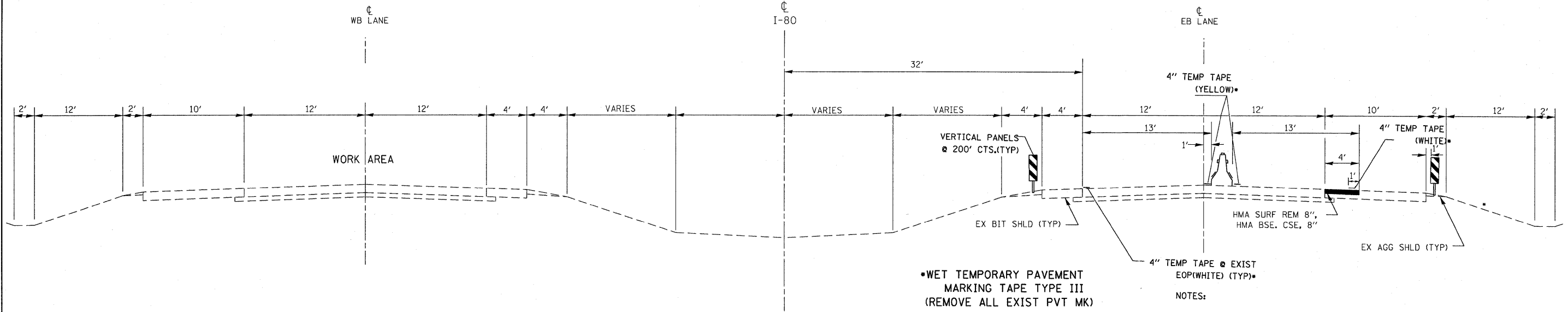


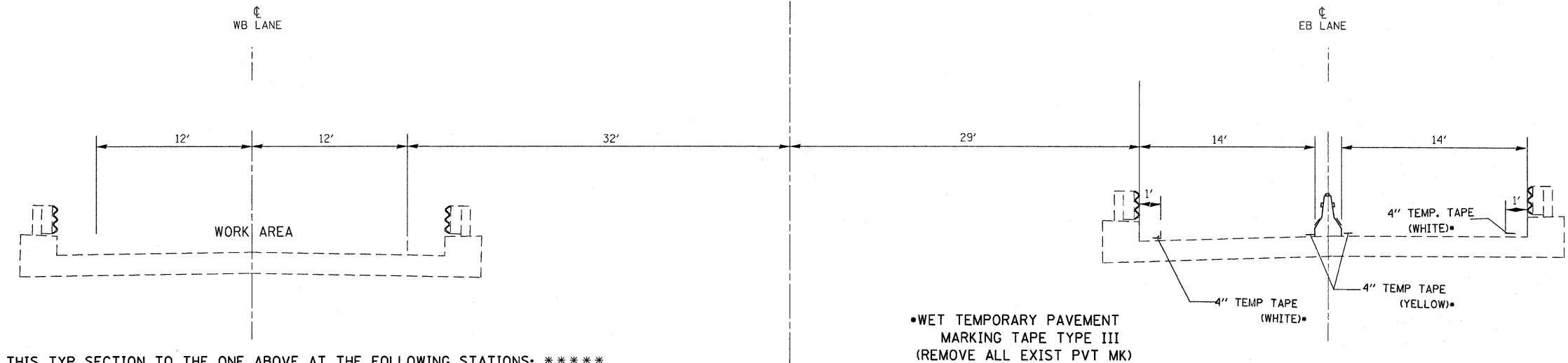
BETWEEN MEDIAN CROSSOVERS



STAGE I MAINLINE

STA 1408+00 TO STA 1429+00
 STA 1444+00 TO STA 1604+00
 STA 1620+00 TO STA 1749+00
 STA 1768+00 TO STA 1802+25*****

SEE STAGE I CONSTRUCTIONS SHEETS FOR TRANSITIONS THROUGH CROSSOVERS *****



STAGE I THROUGH BRIDGES

STA 1431+00 TO STA 1442+00
 STA 1606+00 TO STA 1618+00
 STA 1751+00 TO STA 1766+00*****

TRANSITION FROM THIS TYP SECTION TO THE ONE ABOVE AT THE FOLLOWING STATIONS: *****

STA 1429+00 TO STA 1431+00
 STA 1442+00 TO STA 1444+00
 STA 1604+00 TO STA 1606+00
 STA 1618+00 TO STA 1620+00
 STA 1749+00 TO STA 1751+00
 STA 1766+00 TO STA 1768+00

**06-[7BR&BR-1,7VB-M,6BR&6,7 RS-1 & I]

FILE NAME =	USER NAME = braboypc	DESIGNED -	REVISED -	STATE OF ILLINOIS DEPARTMENT OF TRANSPORTATION	STAGE I CONSTRUCTION TYPICAL SECTIONS			F.A. RTE.:	SECTION	COUNTY	TOTAL SHEETS	SHEET NO.
ct:\pwork\pwork\braboypc\d0112640\d368909-sh-t-details.DGN	DRAWN -	REVISED -	REVISED -					I-80	**	BUREAU	344	57
PLOT SCALE = 50.7353' / IN.	CHECKED -	REVISED -	REVISED -		SCALE: _____	SHEET NO. _____ OF _____ SHEETS	STA. _____ TO STA. _____	CONTRACT NO. 66908		ILLINOIS FED. AID PROJECT		
PLOT DATE = Sep 07, 2009 - 02:16:11 PM	DATE -	REVISED -	REVISED -									