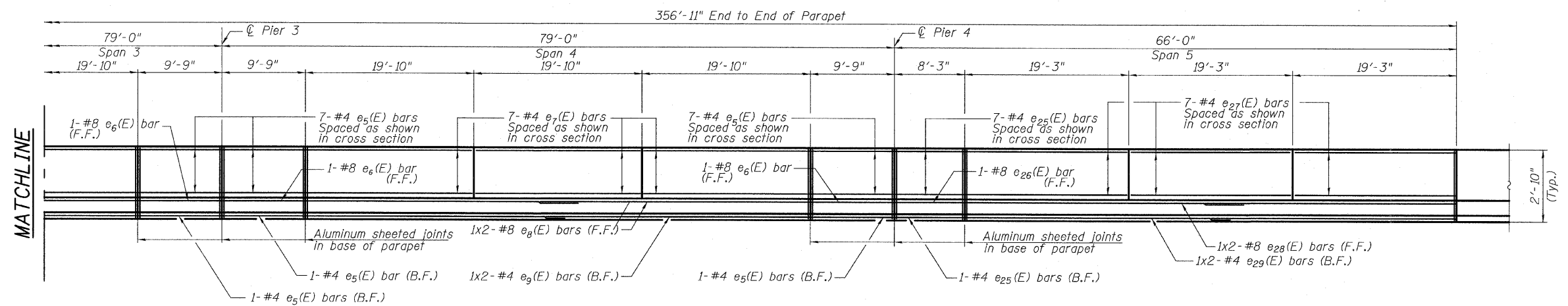
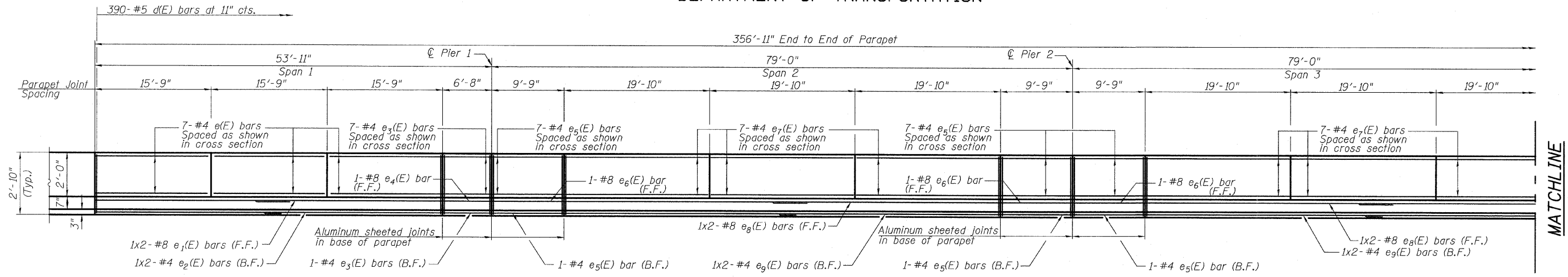
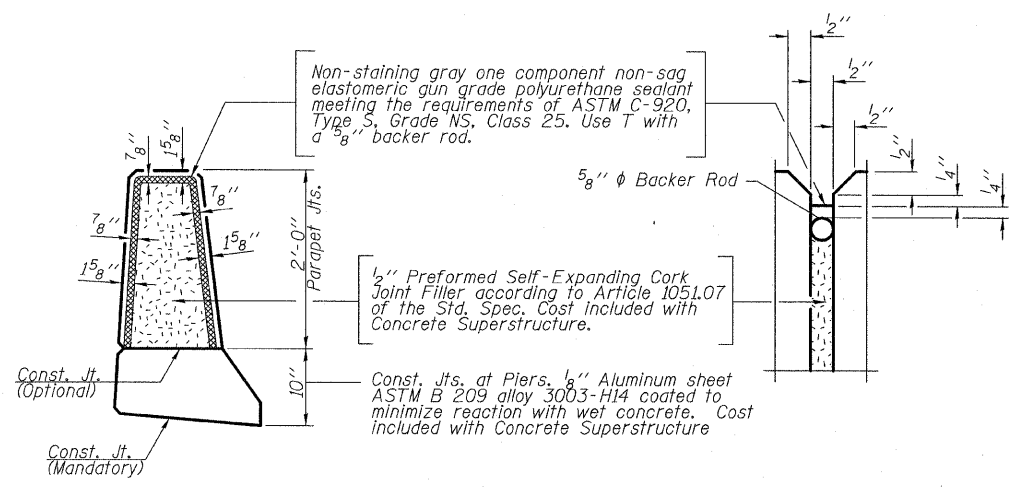


STATE OF ILLINOIS
DEPARTMENT OF TRANSPORTATION



INSIDE ELEVATION OF THE NORTH PARAPET
(South Parapet opposite hand)



PARAPET JOINT DETAILS

MINIMUM BAR LAPS
#4 bar = 1'-4"
#8 bar = 3'-5"

DESIGNED - I.M.
CHECKED - PDF
DRAWN - I.M.
CHECKED - PDF

SUPERSTRUCTURE DETAILS - II
STRUCTURE NO. 006-0171 WB

SHEET NO. 19	F.A. RTE.	SECTION	COUNTY	TOTAL SHEETS	SHEET NO.
	80	*	BUREAU	344	113
59 SHEETS		CONTRACT NO. 66908			
FED. ROAD DIST. NO.		ILLINOIS FED. AID PROJECT			

TYLIN INTERNATIONAL