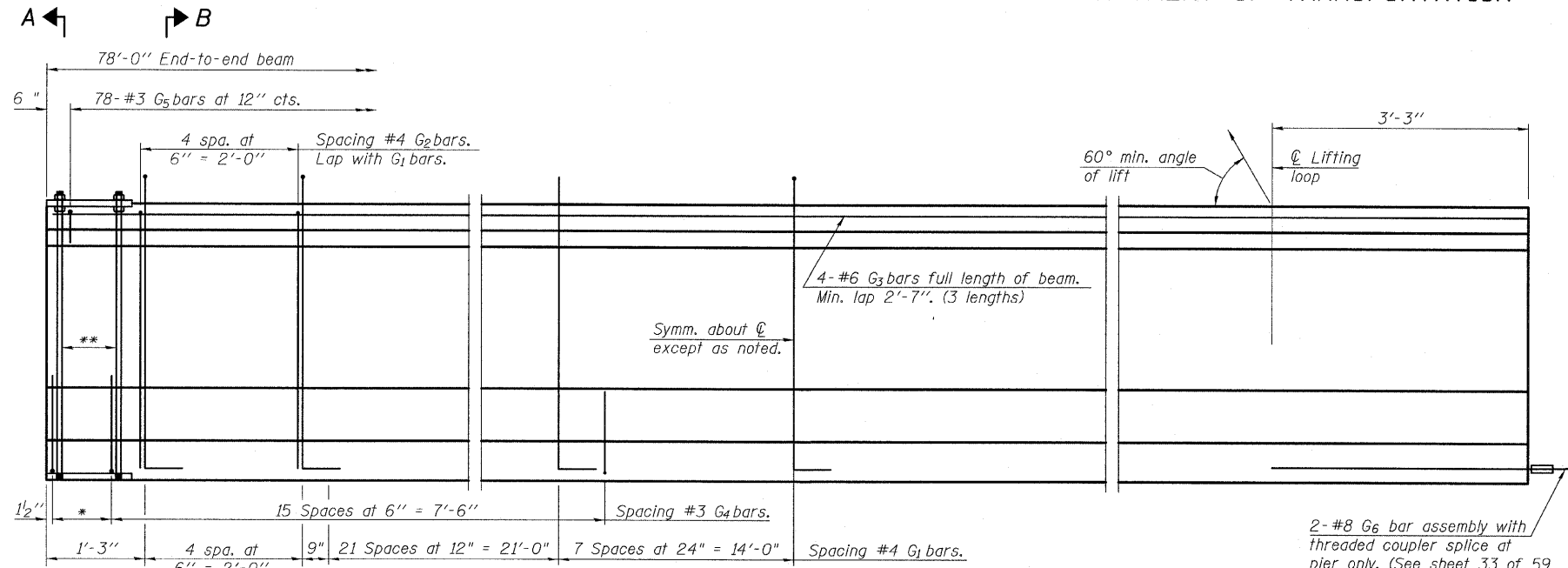


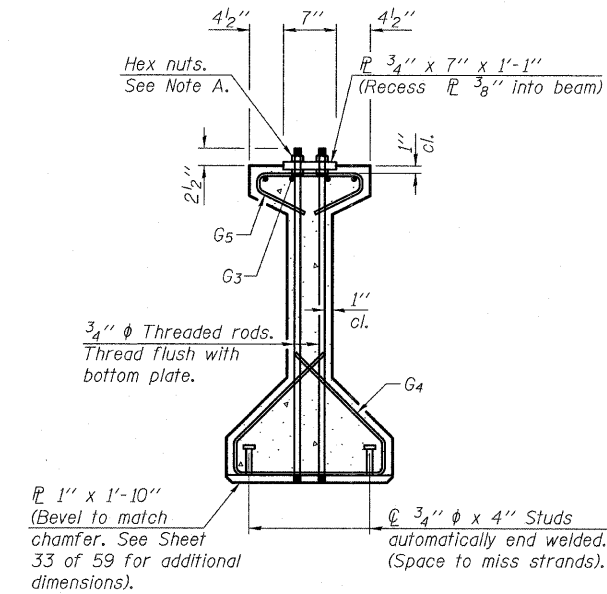
STATE OF ILLINOIS
DEPARTMENT OF TRANSPORTATION



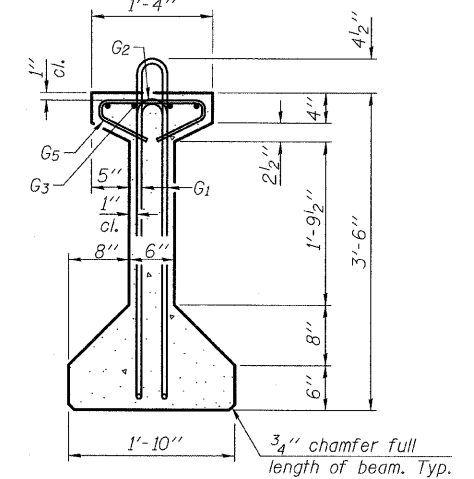
ELEVATION OF BEAM
(Showing reinforcement & dimensions)

2-#8 G6 bar assembly with threaded coupler splice at pier only. (See sheet 33 of 59 for details).

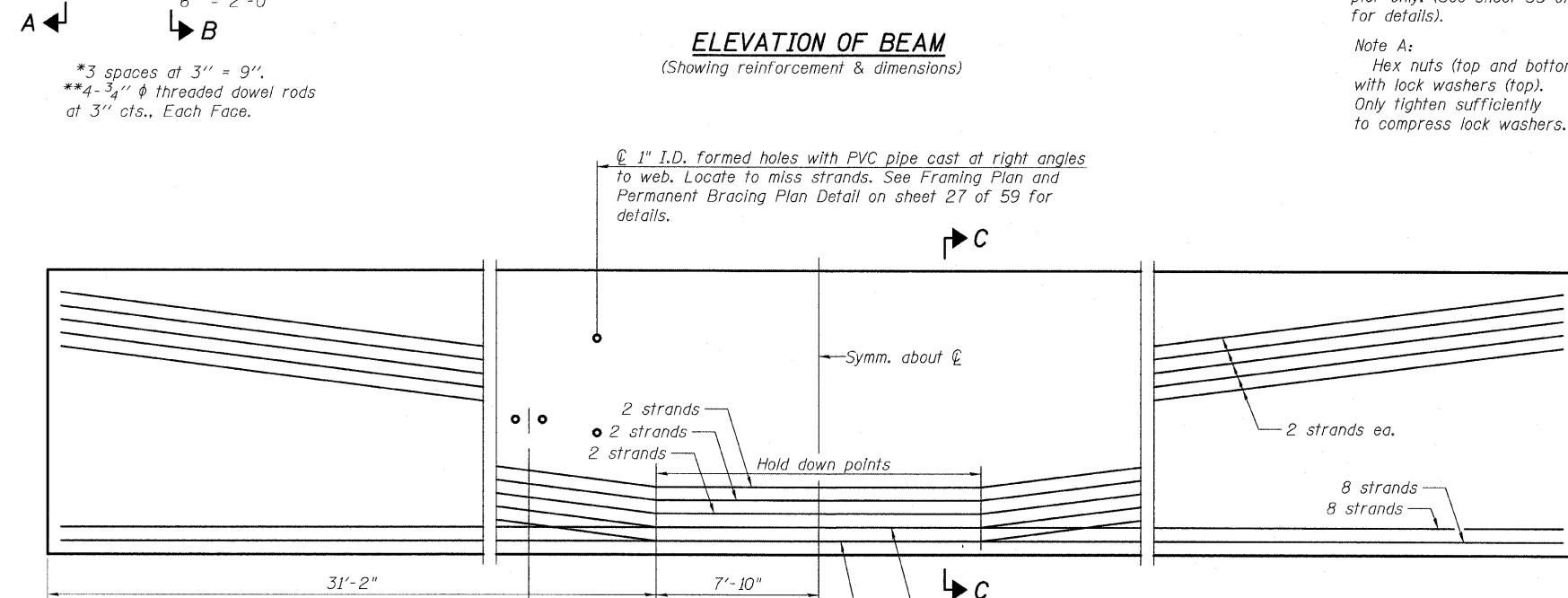
Note A:
Hex nuts (top and bottom) with lock washers (top). Only tighten sufficiently to compress lock washers.



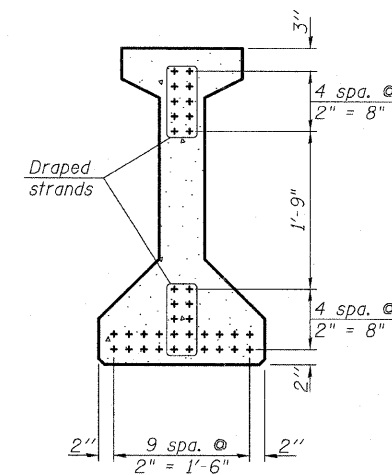
SECTION A-A



SECTION B-B



ELEVATION OF BEAM
(Showing prestressing steel)



SECTION C-C

*****BAR LIST
ONE BEAM ONLY**

Bar	No.	Size	Length	Shape
G1	67	#4	8'-5"	⊏
G2	10	#4	6'-8"	⊏
G3	12	#6	27'-9"	⊏
G4	38	#3	4'-11"	⊏
G5	78	#3	2'-6"	⊏
G6	4	#8	6'-6"	⊏

***For information only

Notes:
See sheet 33 of 59 for additional details and Bill of Material.
Required release strength, f'ci, shall be 5,000 psi.

DESIGNED	- PK
CHECKED	- PDF SP
DRAWN	- PK
CHECKED	- PDF

SHEET NO. 29	F.A. RTE. 80	SECTION *	COUNTY BUREAU	TOTAL SHEETS 344	SHEET NO. 123
59 SHEETS	FED. ROAD DIST. NO. ILLINOIS FED. AID PROJECT		CONTRACT NO. 66908		

TYLIN INTERNATIONAL

**42" PPC I-BEAM (SPAN 2)
STRUCTURE NO. 006-0170 EB**