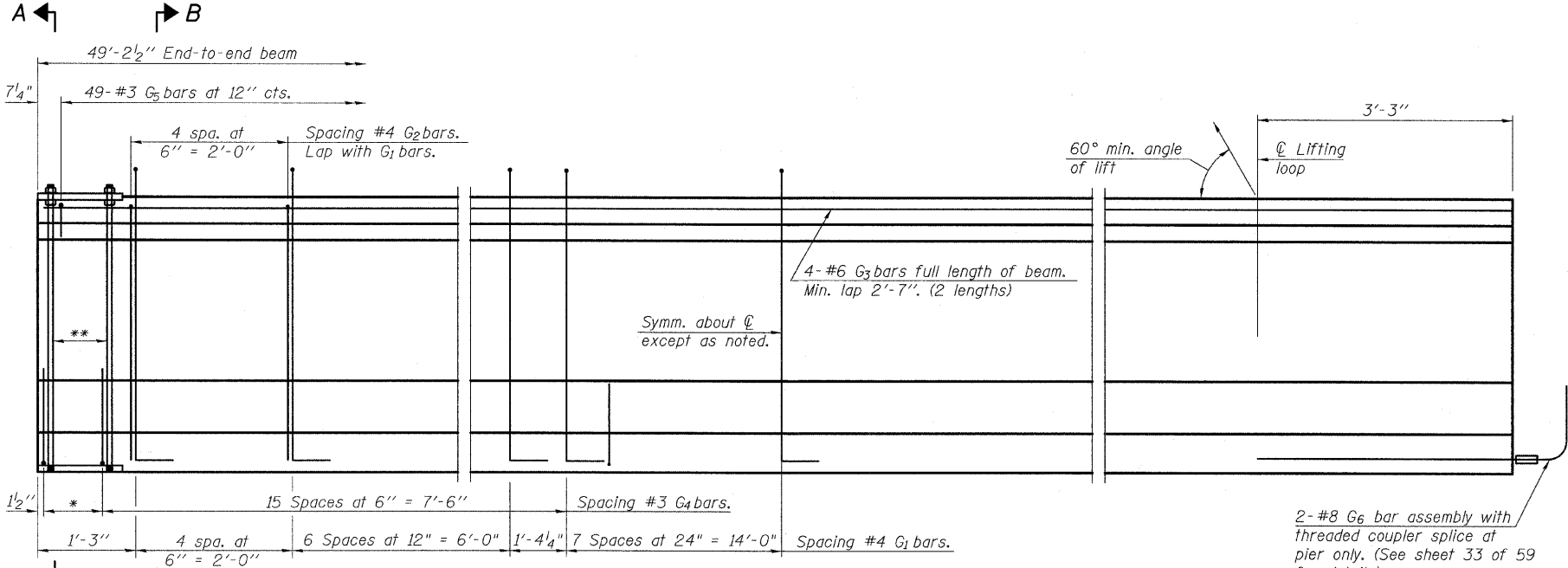


STATE OF ILLINOIS
DEPARTMENT OF TRANSPORTATION



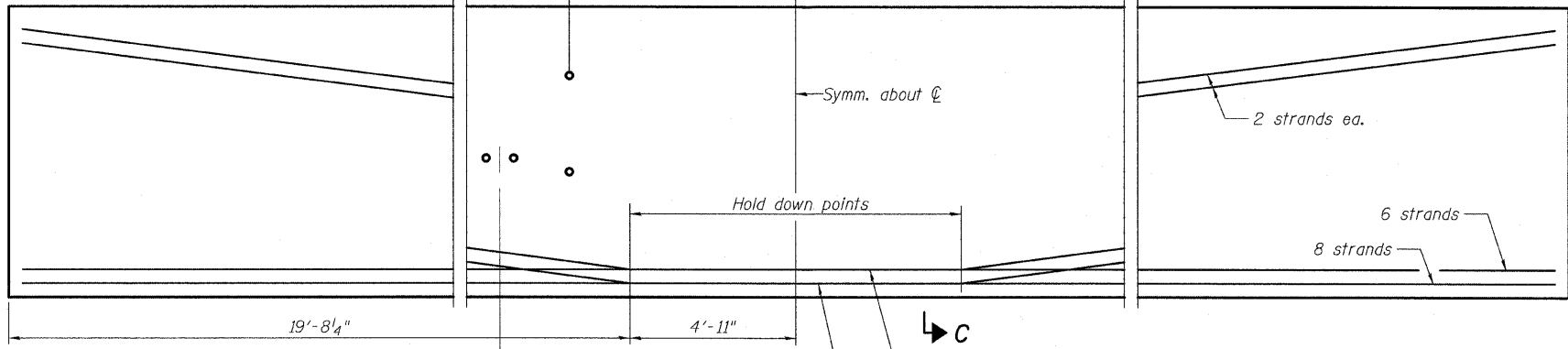
ELEVATION OF BEAM
(Showing reinforcement & dimensions)

*3 spaces at 3" = 9".
**4-3/4" ⌀ threaded dowel rods at 3" cts., Each Face.

2- #8 G₆ bar assembly with threaded coupler splice at pier only. (See sheet 33 of 59 for details).

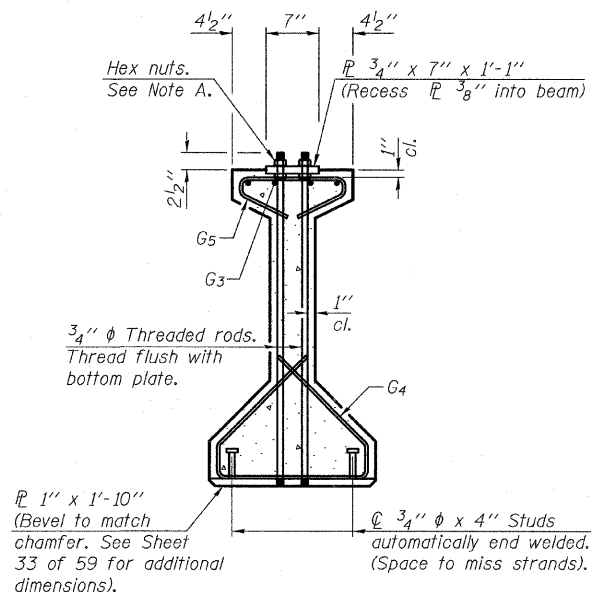
Note A:
Hex nuts (top and bottom) with lock washers (top). Only tighten sufficiently to compress lock washers.

⌀ 1" I.D. formed holes with PVC pipe cast at right angles to web. Locate to miss strands. See Framing Plan and Permanent Bracing Plan Detail on sheet 27 of 59 for details.

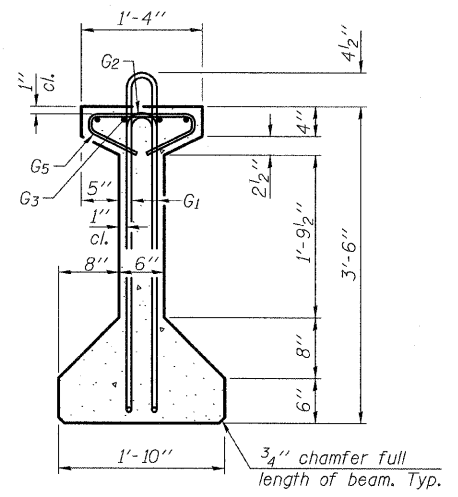


ELEVATION OF BEAM
(Showing prestressing steel)

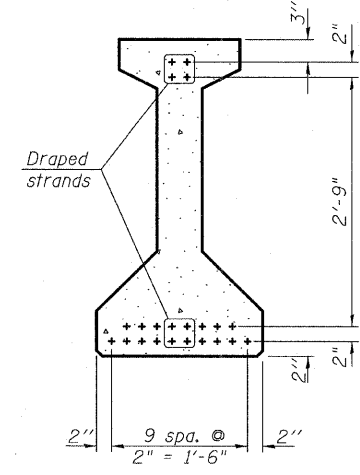
Inserts for floor drain pipe clamps. Beams 1 & 7 only, locate to miss strands. See sheet 14 of 59 for drain locations.



SECTION A-A



SECTION B-B



SECTION C-C

*****BAR LIST
ONE BEAM ONLY**

Bar	No.	Size	Length	Shape
G ₁	37	#4	8'-5"	⊔
G ₂	10	#4	6'-8"	⊔
G ₃	8	#6	25'-10"	—
G ₄	38	#3	4'-11"	⊔
G ₅	49	#3	2'-6"	⊔
G ₆	4	#8	6'-6"	⊔

***For information only

Notes:
See sheet 33 of 59 for additional details and Bill of Material.
Required release strength, f'ci, shall be 5,000 psi.

DESIGNED - PK
CHECKED - PDF SP
DRAWN - PK
CHECKED - PDF

**42" PPC I-BEAM (SPAN 3)
STRUCTURE NO. 006-0170 EB**

SHEET NO. 30 59 SHEETS	F.A. RTE. 80	SECTION *	COUNTY BUREAU	TOTAL SHEETS 344	SHEET NO. 124
	CONTRACT NO. 66908				
FED. ROAD DIST. NO.		ILLINOIS FED. AID PROJECT			

TYLIN INTERNATIONAL