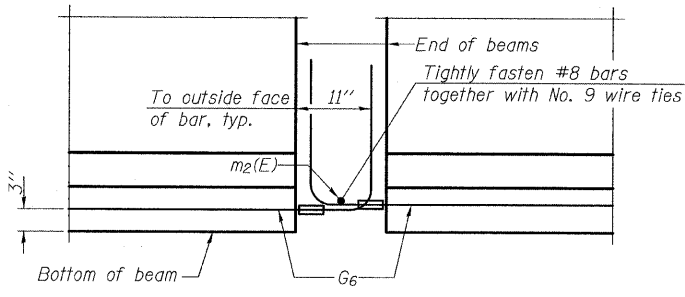
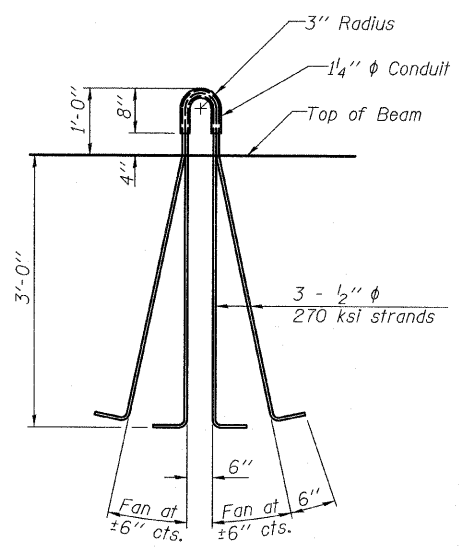


STATE OF ILLINOIS
DEPARTMENT OF TRANSPORTATION

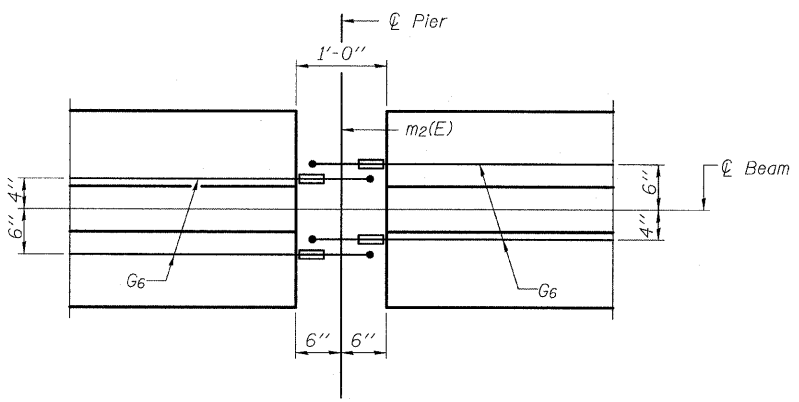
NOTES
 Inserts for 3/4" φ threaded dowel rods, when specified, are to be two strut, ferrule type for interior beams and single ferrule, flared loop type for exterior beams.
 Prestressing steel shall be uncoated high strength, low relaxation 7-wire strand, Grade 270. The nominal diameter shall be 1/2" and the nominal cross-sectional area shall be 0.153 sq. in.
 Reinforcement bars shall conform to ASTM A 706, Grade 60. (See Special Provisions). A minimum 2 1/2" φ lifting pin shall be used to engage the lifting loops during handling. Tilt G6 bars when necessary to maintain 1/2" clearance.
 The top and bottom plates shall be AASHTO M270 Grade 50.
 The bottom plates and studs shall be galvanized according to AASHTO M111.
 Threaded rods shall be ASTM F 1554 Grade 55.
 The G6 bar assembly shall have the threaded ends oversized to ensure no reduction in cross sectional area after threading. The coupler splice shall be capable of developing 125 percent of the yield strength of the reinforcement bar.



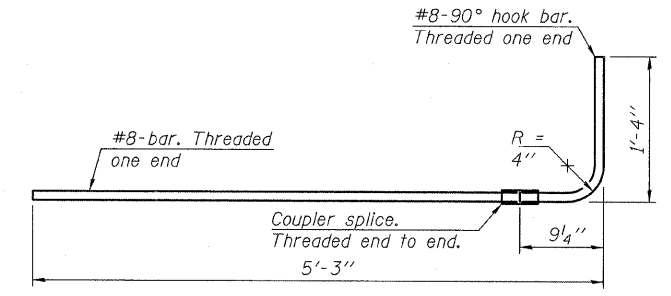
ELEVATION OF BEAM AT PIER



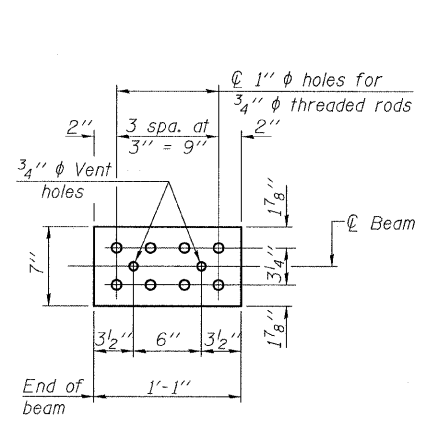
LIFTING LOOP DETAIL



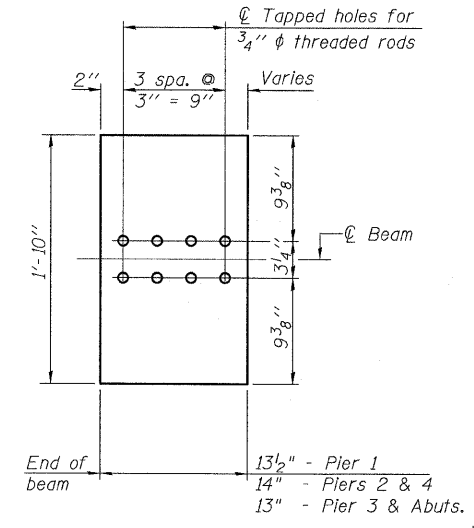
PLAN OF BEAM AT PIER



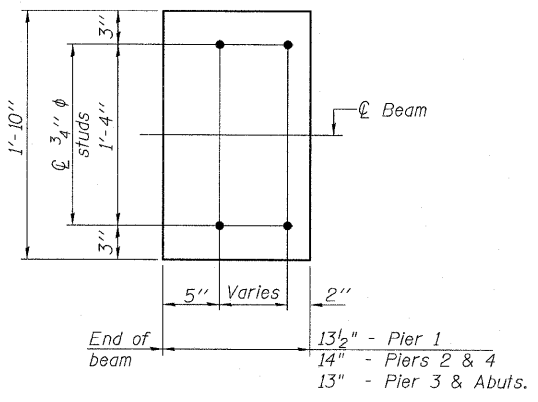
G6 BAR ASSEMBLY



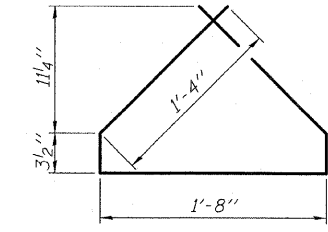
TOP PLATE



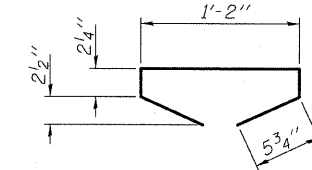
BOTTOM PLATE
(Showing threaded rods)



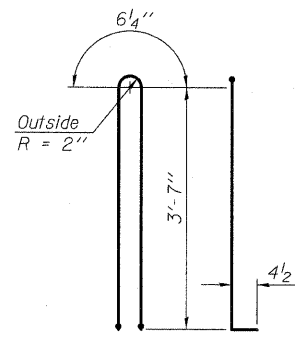
BOTTOM PLATE
(Showing studs)



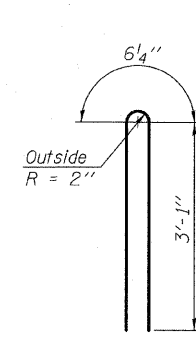
BAR G4



BAR G5



BAR G1



BAR G2

BILL OF MATERIAL

Item	Unit	Total
Furnishing and Erecting Precast Prestressed Concrete I-Beams, 42"	Ft.	2,135.9

**42" PPC I-BEAM DETAILS
STRUCTURE NO. 006-0170 EB**

DESIGNED - PK
CHECKED - PDF SP
DRAWN - PK
CHECKED - PDF

See bearing details for pintle hole locations when required.

TYLIN INTERNATIONAL

SHEET NO. 33	F.A. RTE. 80	SECTION *	COUNTY BUREAU	TOTAL SHEETS 344	SHEET NO. 127
59 SHEETS	FED. ROAD DIST. NO. ILLINOIS FED. AID PROJECT		CONTRACT NO. 66908		