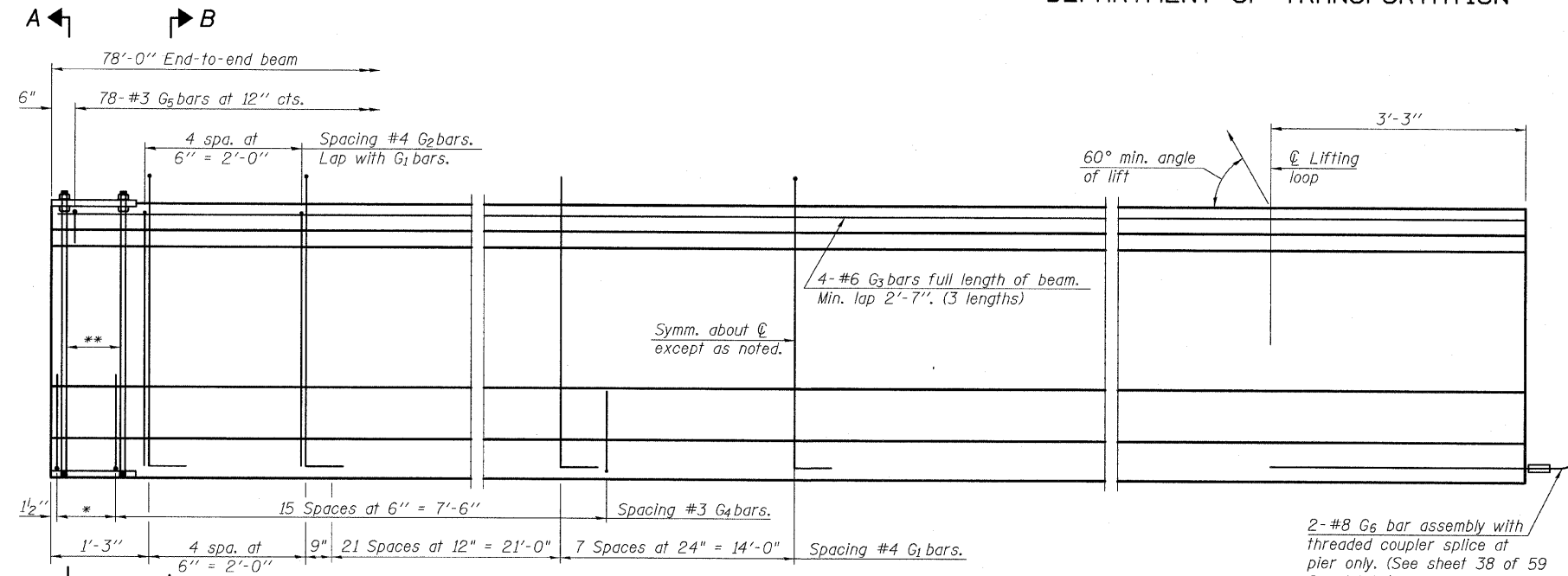


STATE OF ILLINOIS  
DEPARTMENT OF TRANSPORTATION



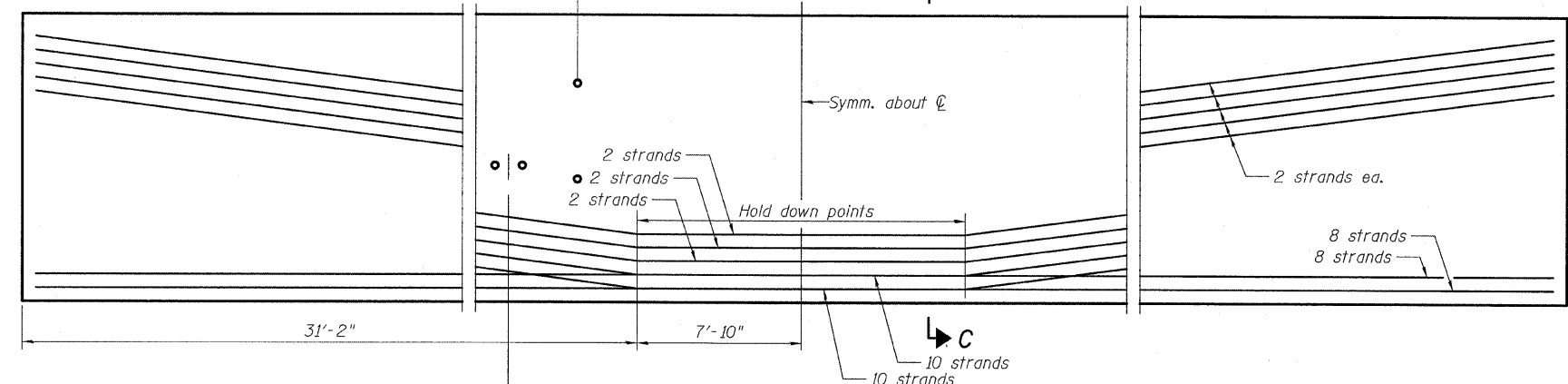
**ELEVATION OF BEAM**  
(Showing reinforcement & dimensions)

\*3 spaces at 3" = 9".  
\*\*4-3/4" φ threaded dowel rods at 3" cts., Each Face.

2-#8 G6 bar assembly with threaded coupler splice at pier only. (See sheet 38 of 59 for details).

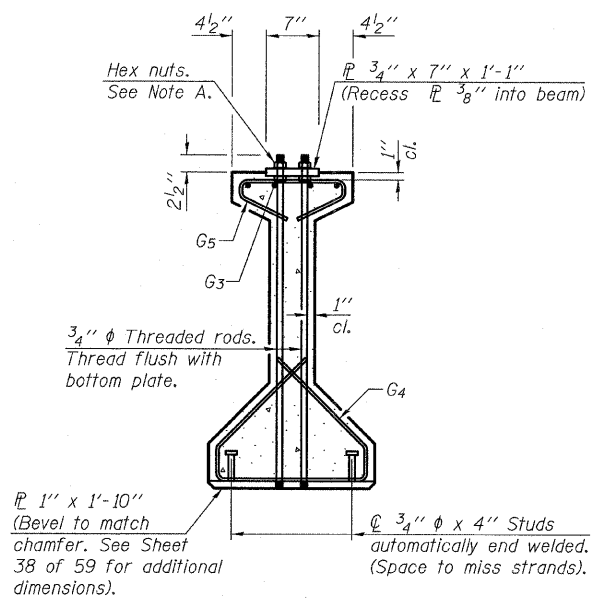
Note A:  
Hex nuts (top and bottom) with lock washers (top). Only tighten sufficiently to compress lock washers.

1" I.D. formed holes with PVC pipe cast at right angles to web. Locate to miss strands. See Framing Plan and Permanent Bracing Plan Detail on sheet 34 of 59 for details.

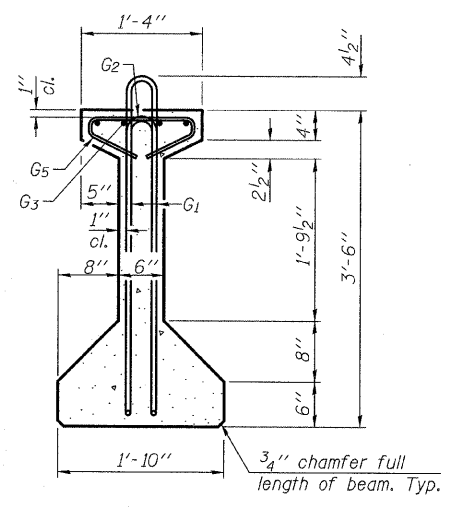


**ELEVATION OF BEAM**  
(Showing prestressing steel)

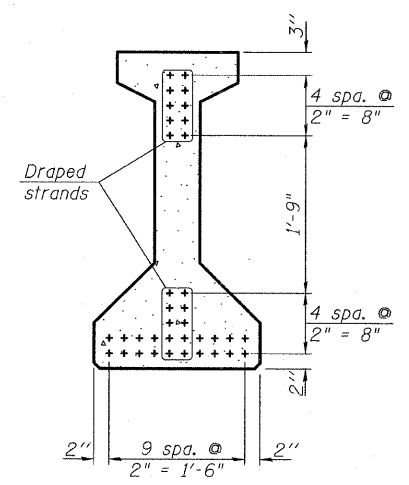
Inserts for floor drain pipe clamps. Beams 1 & 7 only, locate to miss strands. See sheet 17 of 59 for drain locations.



**SECTION A-A**



**SECTION B-B**



**SECTION C-C**

**\*\*\*BAR LIST  
ONE BEAM ONLY**

Bar	No.	Size	Length	Shape
G1	67	#4	8'-5"	NL
G2	10	#4	6'-8"	n
G3	12	#6	27'-9"	—
G4	38	#3	4'-11"	S
G5	78	#3	2'-6"	S
G6	4	#8	6'-6"	J

\*\*\*For information only

Notes:  
See sheet 38 of 59 for additional details and Bill of Material.  
Required release strength, f'ci, shall be 5,000 psi.

DESIGNED	-	PK
CHECKED	-	PDF SP
DRAWN	-	PK
CHECKED	-	PDF

**42" PPC I-BEAM (SPANS 2 TO 4)  
STRUCTURE NO. 006-0171 WB**

SHEET NO. 36 59 SHEETS	F.A. RTE. 80	SECTION *	COUNTY BUREAU	TOTAL SHEETS 344	SHEET NO. 130
	CONTRACT NO. 66908				
FED. ROAD DIST. NO.		ILLINOIS FED. AID PROJECT			

TYLIN INTERNATIONAL