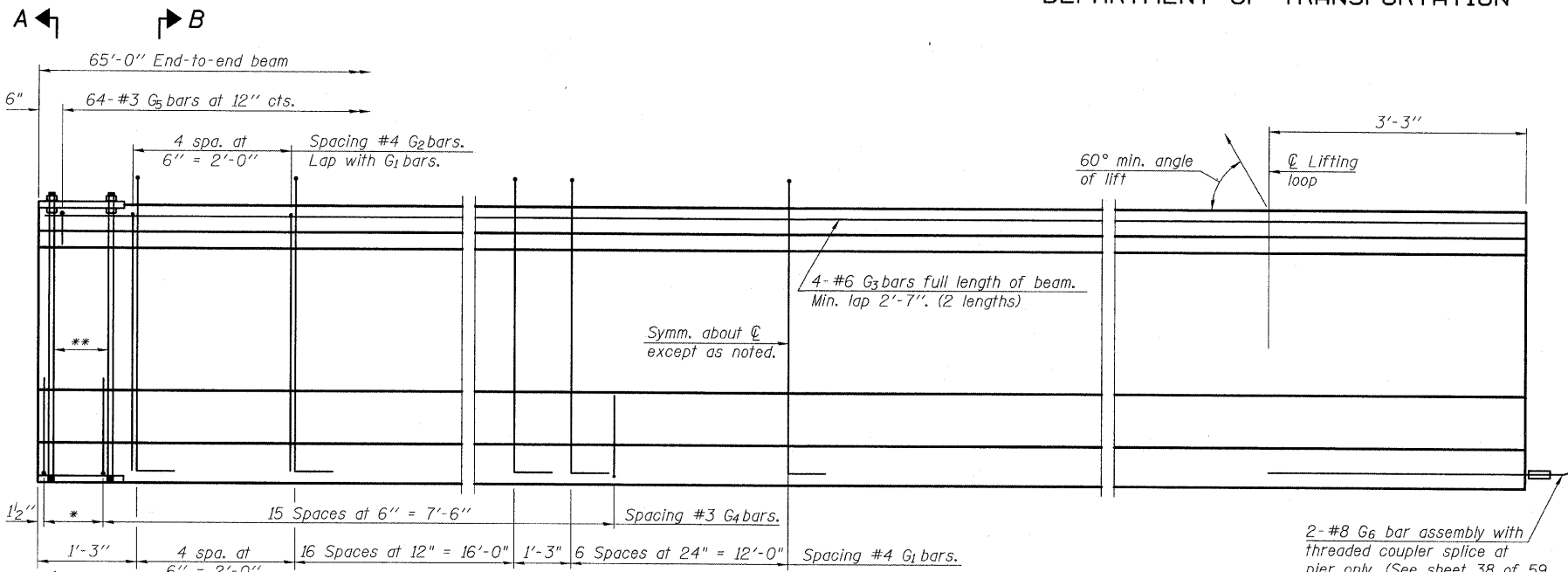


STATE OF ILLINOIS
DEPARTMENT OF TRANSPORTATION

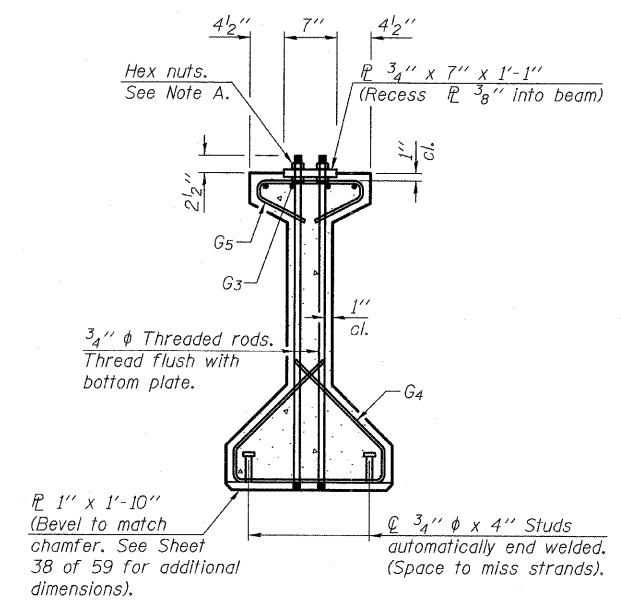


ELEVATION OF BEAM
(Showing reinforcement & dimensions)

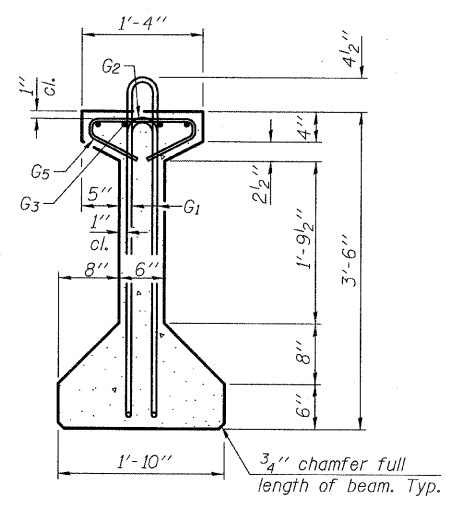
*3 spaces at 3" = 9".
**4-3/4" ϕ threaded dowel rods at 3" cts., Each Face.

2-#8 G6 bar assembly with threaded coupler splice at pier only. (See sheet 38 of 59 for details).

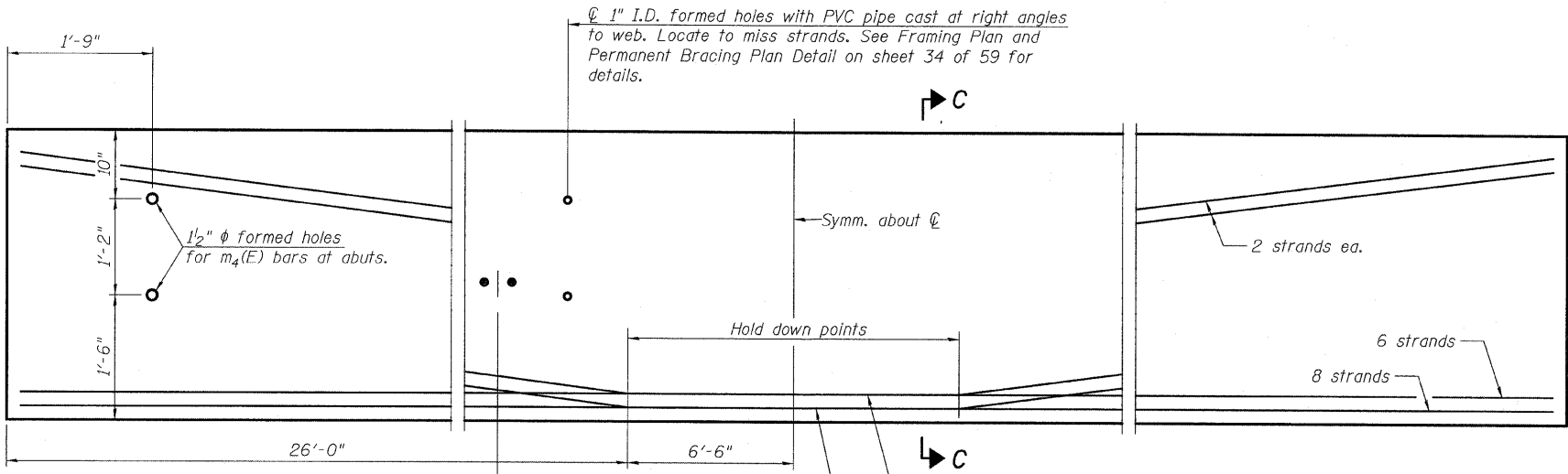
Note A:
Hex nuts (top and bottom) with lock washers (top). Only tighten sufficiently to compress lock washers.



SECTION A-A



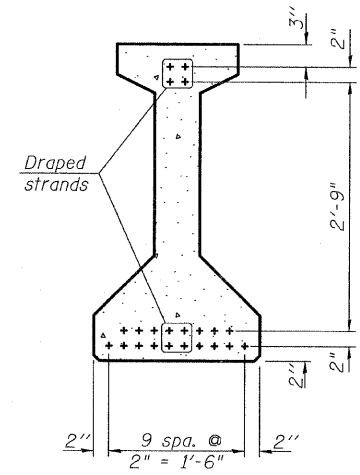
SECTION B-B



ELEVATION OF BEAM
(Showing prestressing steel)

Inserts for floor drain pipe clamps. Beams 1 & 7 only, locate to miss strands. See sheet 17 of 59 for drain locations.

1" I.D. formed holes with PVC pipe cast at right angles to web. Locate to miss strands. See Framing Plan and Permanent Bracing Plan Detail on sheet 34 of 59 for details.



SECTION C-C

*****BAR LIST
ONE BEAM ONLY**

Bar	No.	Size	Length	Shape
G1	55	#4	8'-5"	NL
G2	10	#4	6'-8"	N
G3	8	#6	33'-9"	
G4	38	#3	4'-11"	U
G5	64	#3	2'-6"	U
G6	2	#8	6'-6"	U

***For information only

Notes:
See sheet 38 of 59 for additional details and Bill of Material.
Required release strength, f'ci, shall be 5,000 psi.

DESIGNED	-	PK
CHECKED	-	PDF SP
DRAWN	-	PK
CHECKED	-	PDF

**42" PPC I-BEAM (SPAN 5)
STRUCTURE NO. 006-0171 WB**

SHEET NO. 37 59 SHEETS	F.A. RTE.	SECTION	COUNTY	TOTAL SHEETS	SHEET NO.
	80	*	BUREAU	344	131
FED. ROAD DIST. NO.			ILLINOIS FED. AID PROJECT		
CONTRACT NO. 66908					

TYLIN INTERNATIONAL