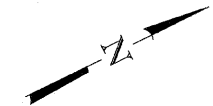
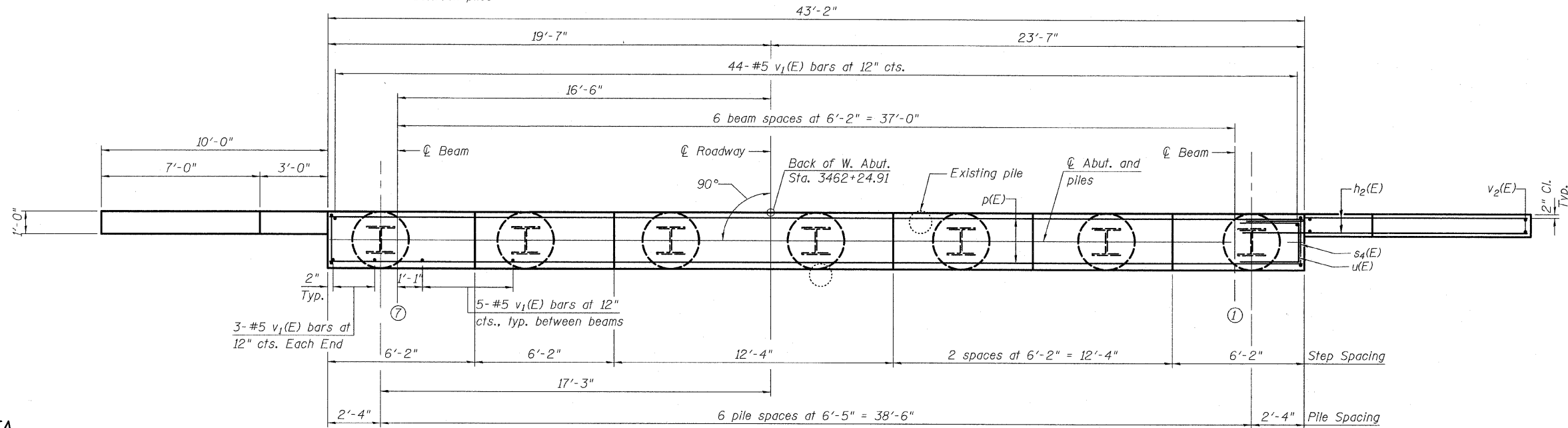
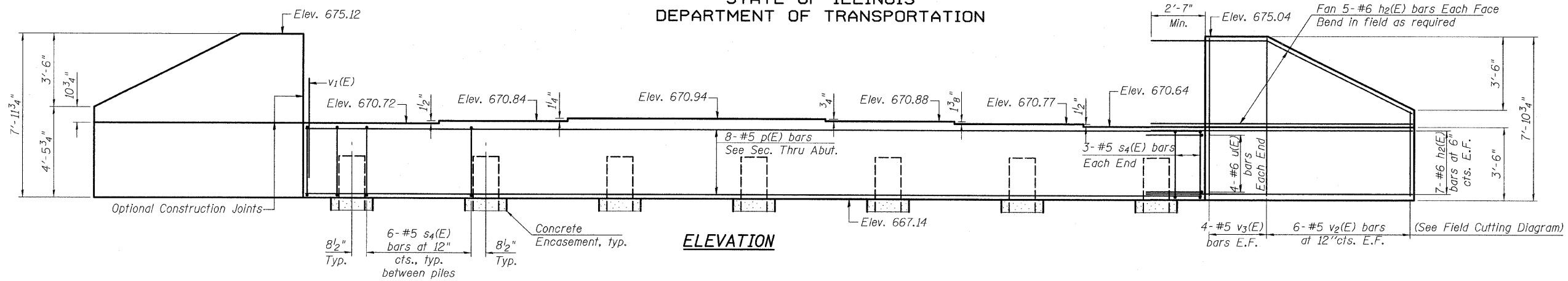


STATE OF ILLINOIS  
DEPARTMENT OF TRANSPORTATION



**LAP SPLICES**

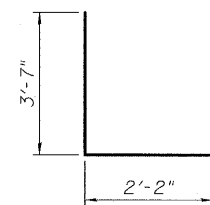
Bar	Lap
#4	1'-8"
#5	2'-2"
#6	2'-7"
#7	3'-5"
#8	4'-6"

**PILE DATA**

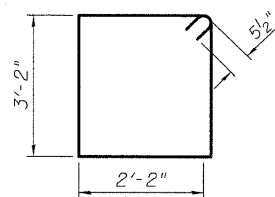
Type: Steel HP14x73  
 Nominal Required Bearing: 300 klps  
 Factored Resistance Available: 150 klps  
 Est. Length: 64 ft.  
 No. Production Piles: 6 Piles  
 No. Test Piles: 1 Pile

**NOTES:**

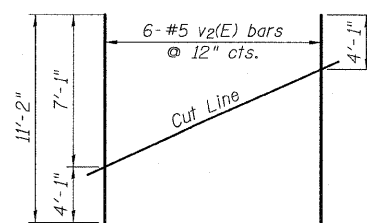
1. Pour steps monolithically with cap.
2. Contractor may adjust pile spacing to miss existing piles.
3. For details of piles and Concrete Encasement, see sheet 53 of 59.



**BAR u(E)**



**BAR s<sub>4</sub>(E)**

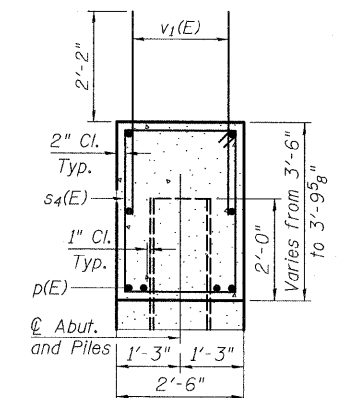


**FIELD CUTTING DIAGRAM**

Order v<sub>2</sub>(E) full length. Cut as shown and use remainder of bars in opposite face.

**BILL OF MATERIAL**

Bar	No.	Size	Length	Shape
h <sub>2</sub> (E)	48	#6	13'-3"	—
p(E)	8	#6	42'-10"	—
s <sub>4</sub> (E)	42	#5	11'-7"	□
u(E)	8	#6	9'-4"	U
v <sub>1</sub> (E)	80	#5	4'-4"	—
v <sub>2</sub> (E)	12	#5	11'-2"	—
v <sub>3</sub> (E)	16	#5	7'-7"	—
Structure Excavation	Cu. Yd.	113.5		
Concrete Structures	Cu. Yd.	19.7		
Reinforcement Bars, Epoxy Coated	Pound	2720		
Furnishing Steel Piles, HP 14x73	Foot	384		
Driving Piles	Foot	384		
Test Pile, HP14x73	Each	1		
Concrete Encasement	Cu. Yd.	3.8		



**SEC. THRU ABUT.**

**LEGEND**

E.F. - Denotes Each Face.

DESIGNED -	PK
CHECKED -	PDF
DRAWN -	PK
CHECKED -	PDF

**WEST ABUTMENT  
STRUCTURE NO. 006-0171 WB**

SHEET NO. 43 59 SHEETS	F.A. RTE.	SECTION	COUNTY	TOTAL SHEETS	SHEET NO.
	80	*	BUREAU	344	177
FED. ROAD DIST. NO.			ILLINOIS	FED. AID PROJECT	
			CONTRACT NO. 66908		

TYLIN INTERNATIONAL