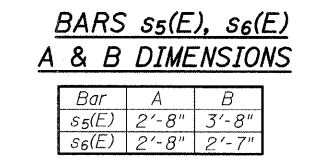
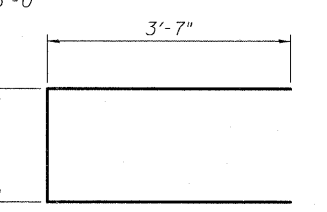
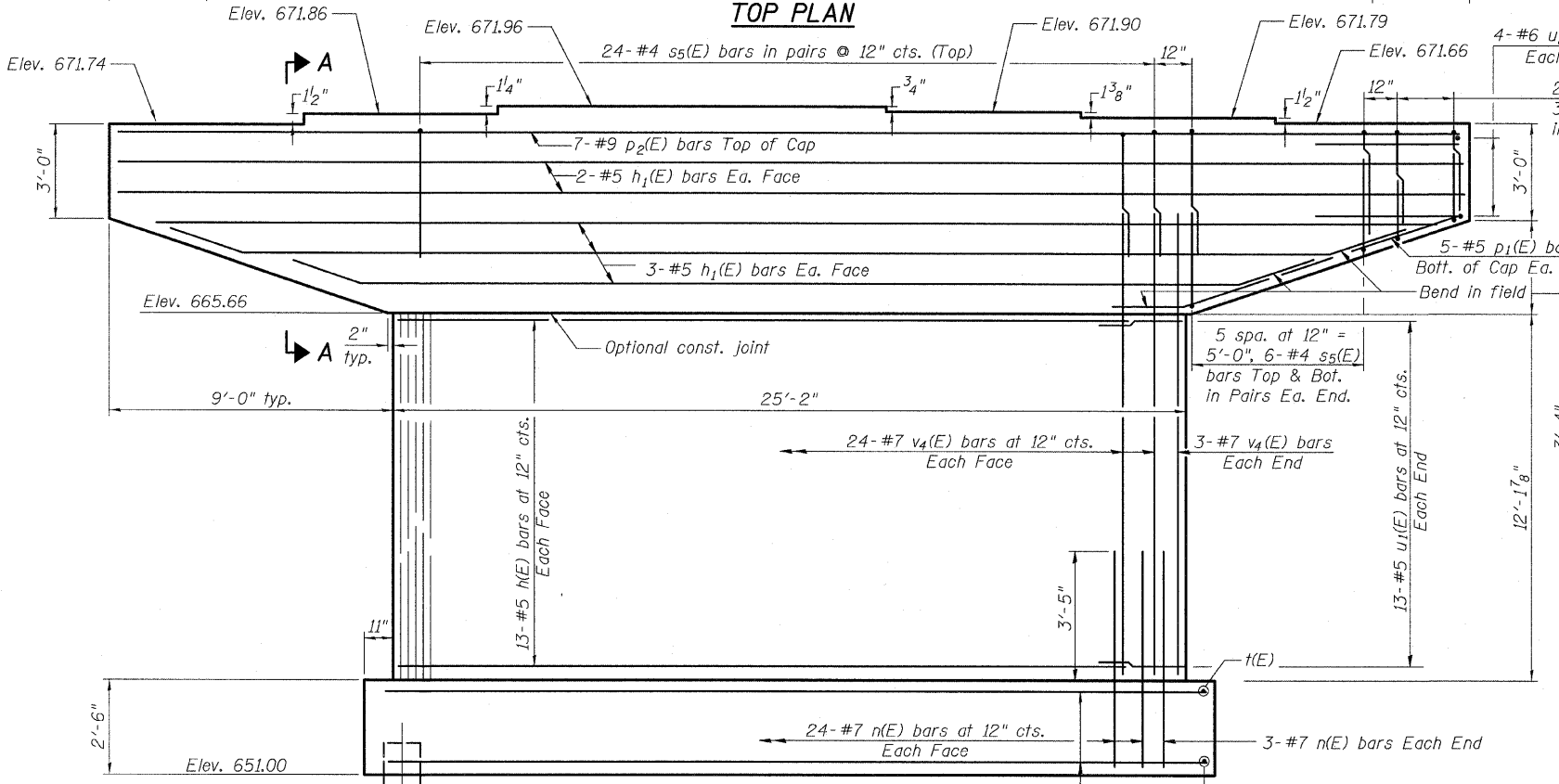
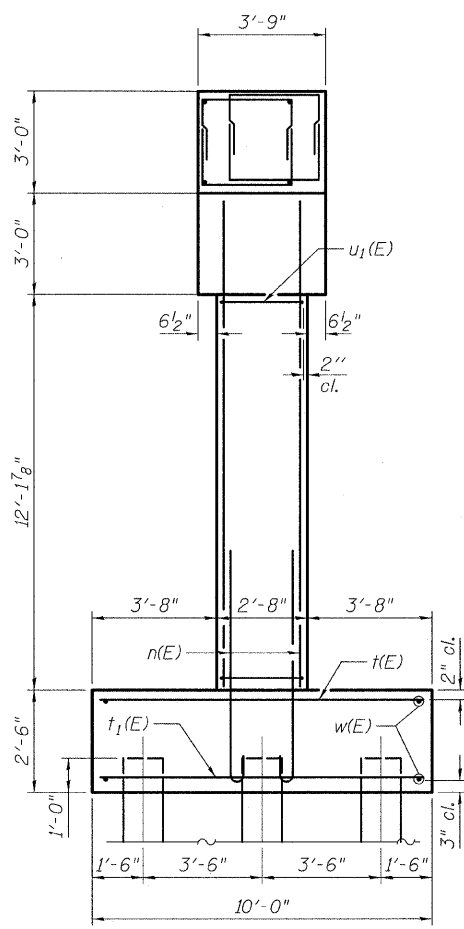
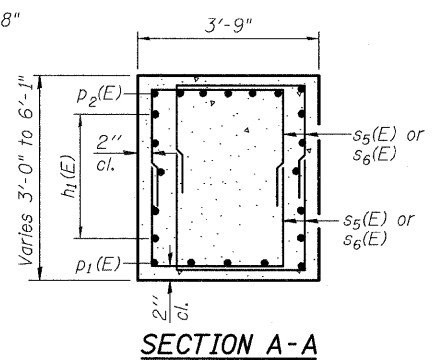
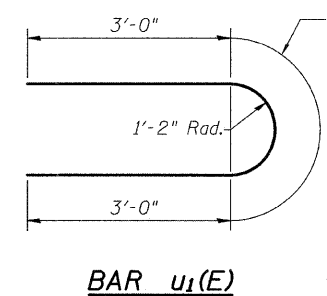
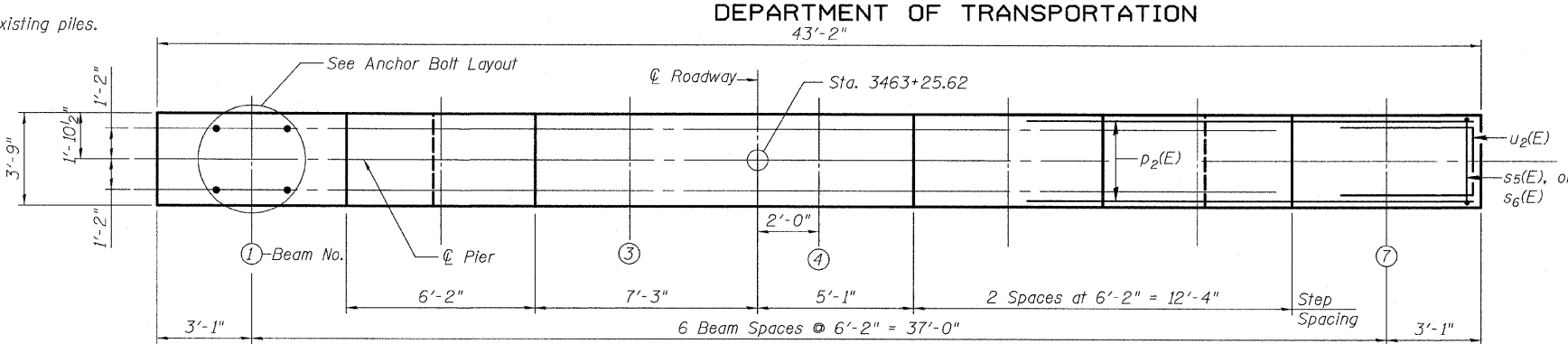


STATE OF ILLINOIS
DEPARTMENT OF TRANSPORTATION

Notes:

Space reinforcement in cap to miss anchor bolts.
Pour steps monolithically with cap.
Contractor may adjust pile spacing to miss existing piles.
For details of piles, see sheet 53 of 59.



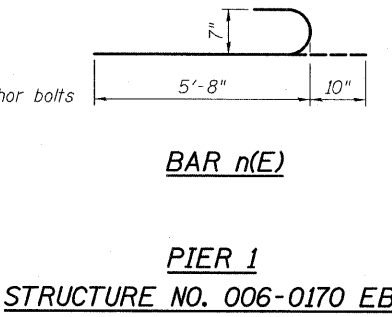
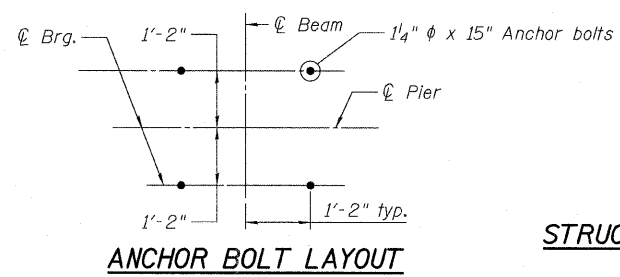
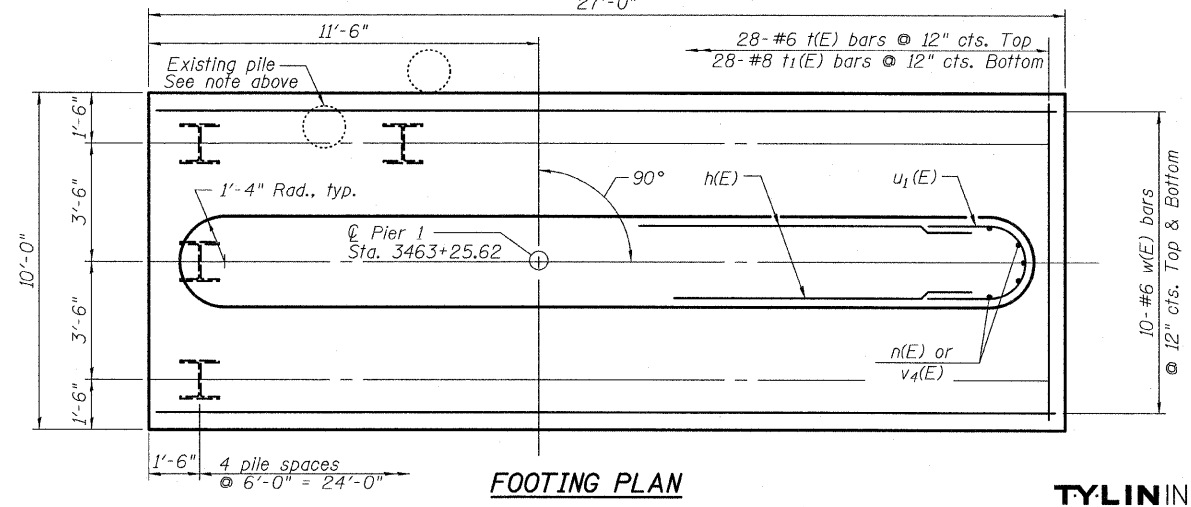
PIER
BILL OF MATERIAL

Bar	No.	Size	Length	Shape
$h(E)$	26	#5	22'-6"	—
$h_1(E)$	10	#5	42'-10"	—
$n(E)$	54	#7	6'-6"	U
$p_1(E)$	10	#5	11'-0"	—
$p_2(E)$	7	#9	42'-10"	—
$s_5(E)$	98	#4	10'-0"	□
$s_6(E)$	24	#4	7'-10"	□
$t(E)$	28	#6	9'-8"	—
$t_1(E)$	28	#8	9'-8"	—
$u_1(E)$	26	#5	9'-8"	U
$u_2(E)$	8	#6	10'-6"	□
$v_4(E)$	54	#7	16'-0"	—
$w(E)$	20	#6	26'-8"	—
Structure Excavation	Cu. Yd.	136.6		
Concrete Structures	Cu. Yd.	87.5		
Reinforcement Bars, Epoxy Coated	Pound	7,780		
Furnishing Steel Piles, HP14x73	Foot	868		
Driving Piles	Foot	868		
Test Pile, HP14x73	Each	1		

PILE DATA

Type: HP 14x73
Nominal Required Bearing: 400 kips
Factored Resistance Available: 200 kips
Est. Length: 62'
No. Production Piles: 14
No. Test Piles: 1

DESIGNED	- SP
CHECKED	- PDF
DRAWN	- IM,PK
CHECKED	- PDF



PIER 1
STRUCTURE NO. 006-0170 EB

SHEET NO.	F.A. RTE.	SECTION	COUNTY	TOTAL SHEETS	SHEET NO.
59 SHEETS	80	*	BUREAU	344	138
			CONTRACT NO. 66908		
FED. ROAD DIST. NO.		ILLINOIS FED. AID PROJECT			

TYLIN INTERNATIONAL