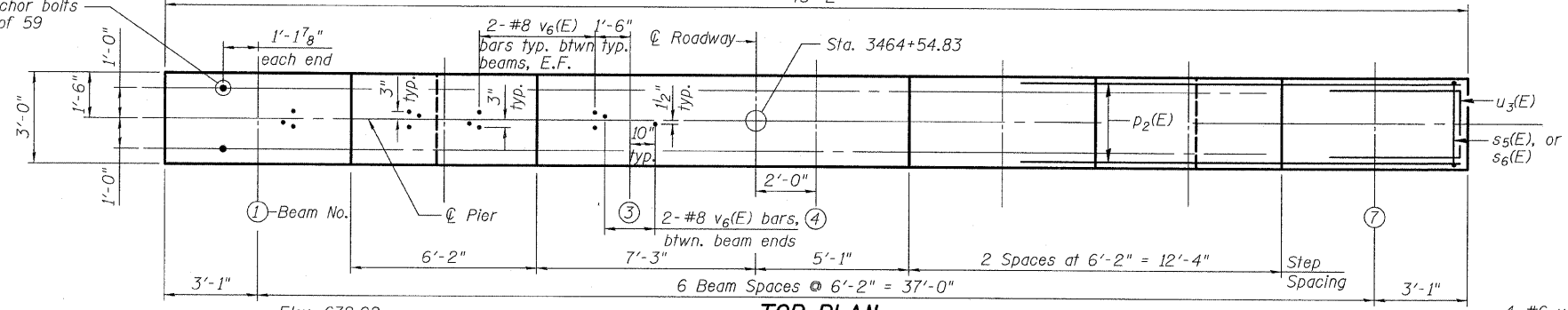


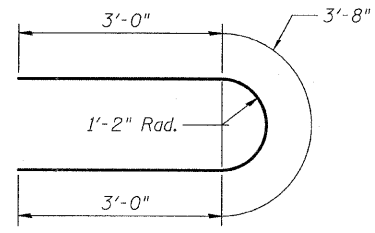
STATE OF ILLINOIS  
DEPARTMENT OF TRANSPORTATION

Notes:  
Space reinforcement in cap to miss anchor bolts.  
Pour steps monolithically with cap.  
For details of piles, see sheet 53 of 59.

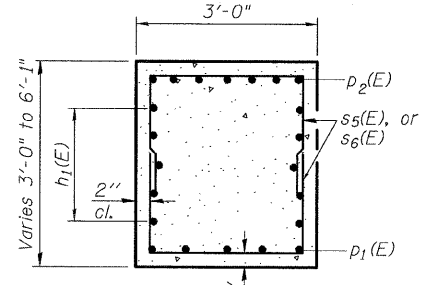
1/2" φ x 18" Anchor bolts  
See Sheet 20 of 59



TOP PLAN



BAR u1(E)

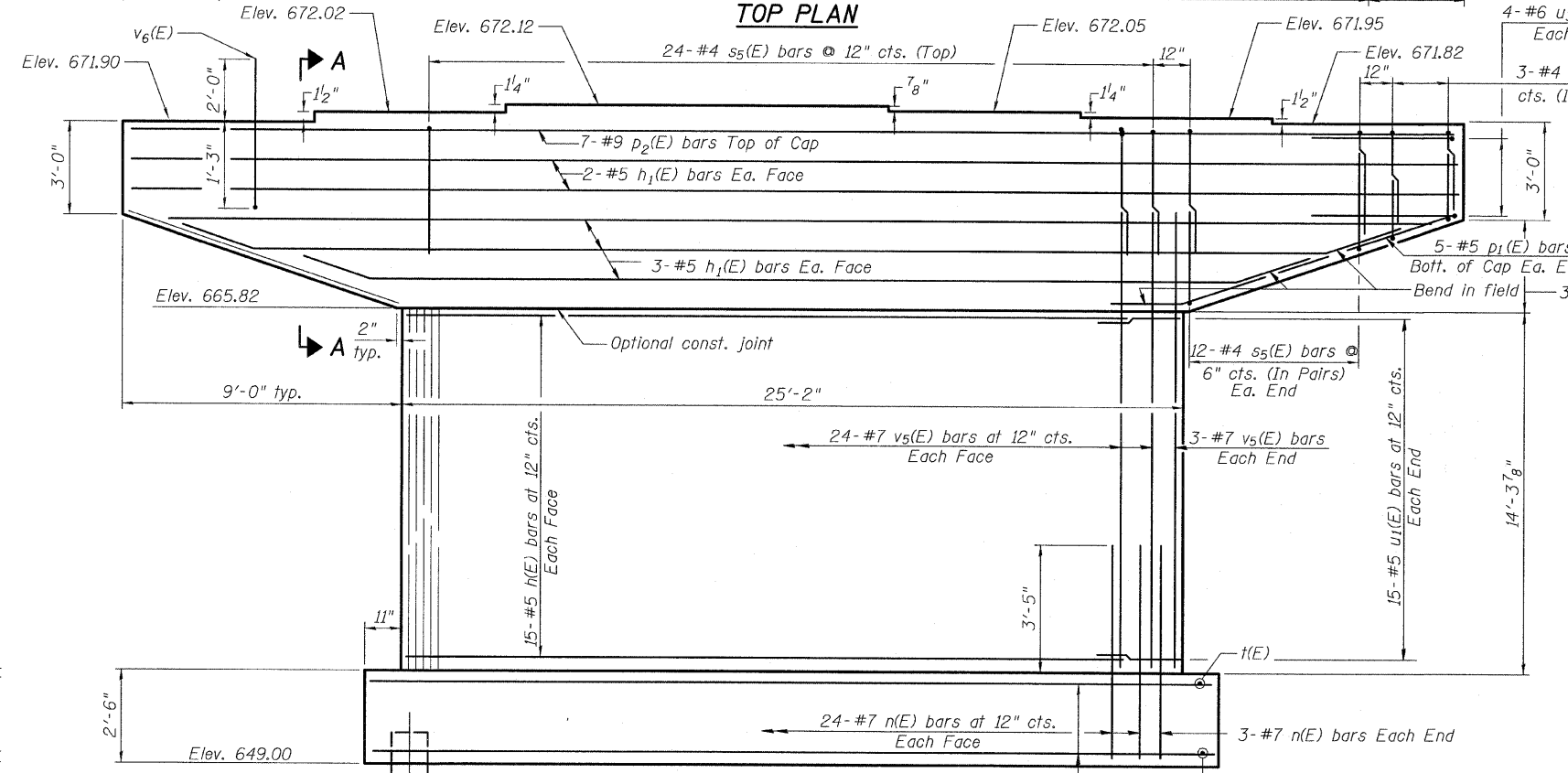


SECTION A-A

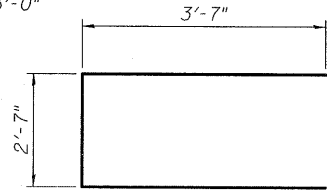
MINIMUM BAR LAP  
#4 bar = 1'-8"

PIER  
BILL OF MATERIAL

Bar No.	Size	Length	Shape	
n(E)	30	#5	22'-6"	—
h1(E)	10	#5	42'-10"	—
n(E)	54	#7	6'-6"	U
p1(E)	10	#5	11'-0"	—
p2(E)	7	#9	42'-10"	—
s5(E)	72	#4	10'-0"	□
s6(E)	12	#4	7'-10"	□
t(E)	28	#6	9'-8"	—
t1(E)	28	#8	9'-8"	—
u1(E)	30	#5	9'-8"	U
u3(E)	8	#6	9'-9"	—
v5(E)	54	#7	18'-2"	—
v6(E)	36	#8	4'-2"	U
w(E)	20	#6	26'-8"	—
Structure Excavation	Cu. Yd.	64.3		
Concrete Structures	Cu. Yd.	86.4		
Reinforcement Bars, Epoxy Coated	Pound	8,310		
Furnishing Steel Piles, HP14x73	Foot	574		
Driving Piles	Foot	574		
Test Pile, HP14x73	Each	1		



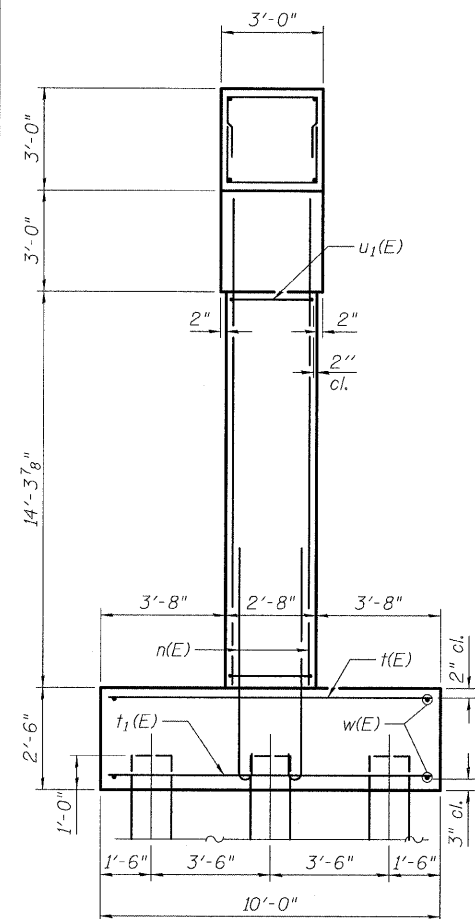
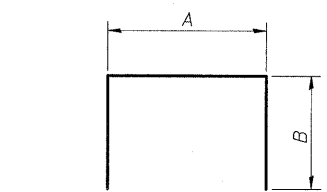
ELEVATION  
(Looking East)



BAR u3(E)

BARS s5(E), s6(E)  
A & B DIMENSIONS

Bar	A	B
s5(E)	2'-8"	3'-8"
s6(E)	2'-8"	2'-7"

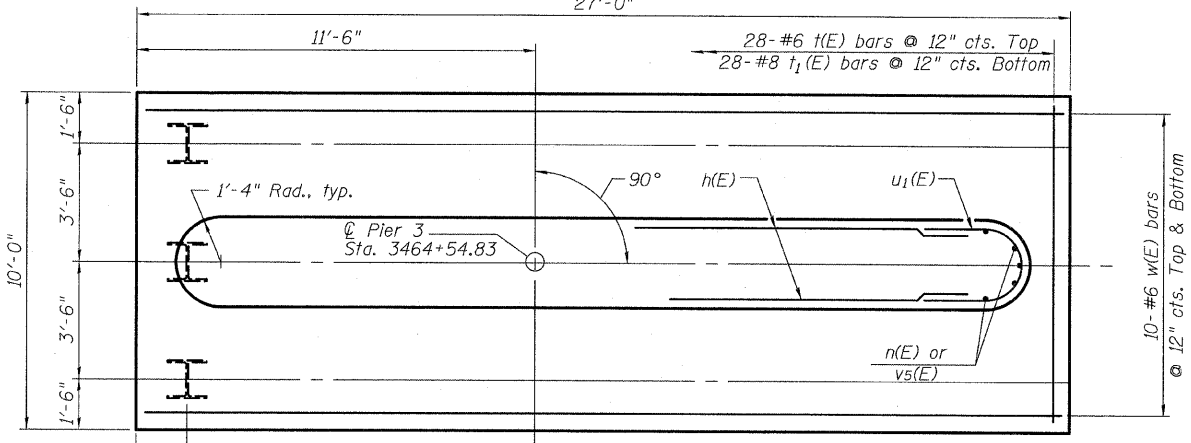


END VIEW

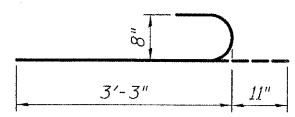
PILE DATA

Type: HP 14x73  
Nominal Required Bearing: 400 kips  
Factored Resistance Available: 200 kips  
Est. Length: 41'  
No. Production Piles: 14  
No. Test Piles: 1

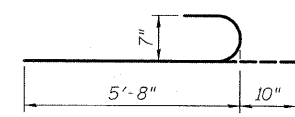
DESIGNED - SP
CHECKED - PDF
DRAWN - IM, PK
CHECKED - PDF



FOOTING PLAN



BAR v6(E)



BAR n(E)

PIER 3  
STRUCTURE NO. 006-0170 EB

SHEET NO. 46 59 SHEETS	F.A. RTE.	SECTION	COUNTY	TOTAL SHEETS	SHEET NO.
	80	*	BUREAU	344	140
FED. ROAD DIST. NO.			ILLINOIS FED. AID PROJECT		
CONTRACT NO. 66908					

TYLIN INTERNATIONAL