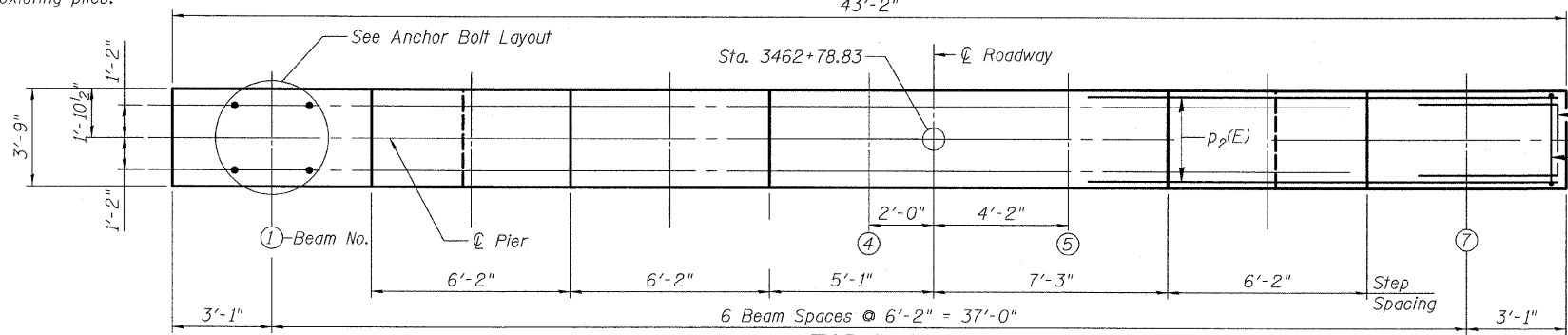
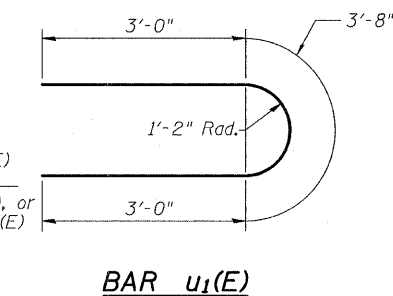


STATE OF ILLINOIS
DEPARTMENT OF TRANSPORTATION

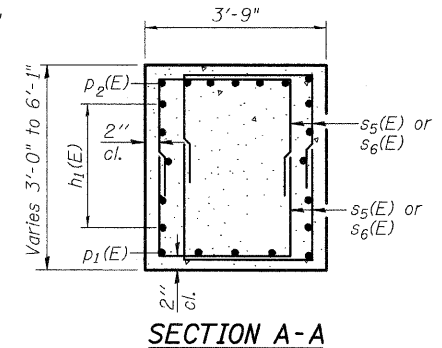
Notes:
Space reinforcement in cap to miss anchor bolts.
Pour steps monolithically with cap.
Contractor may adjust pile spacing to miss existing piles.
For details of piles, see sheet 53 of 59.



TOP PLAN



BAR $u_1(E)$

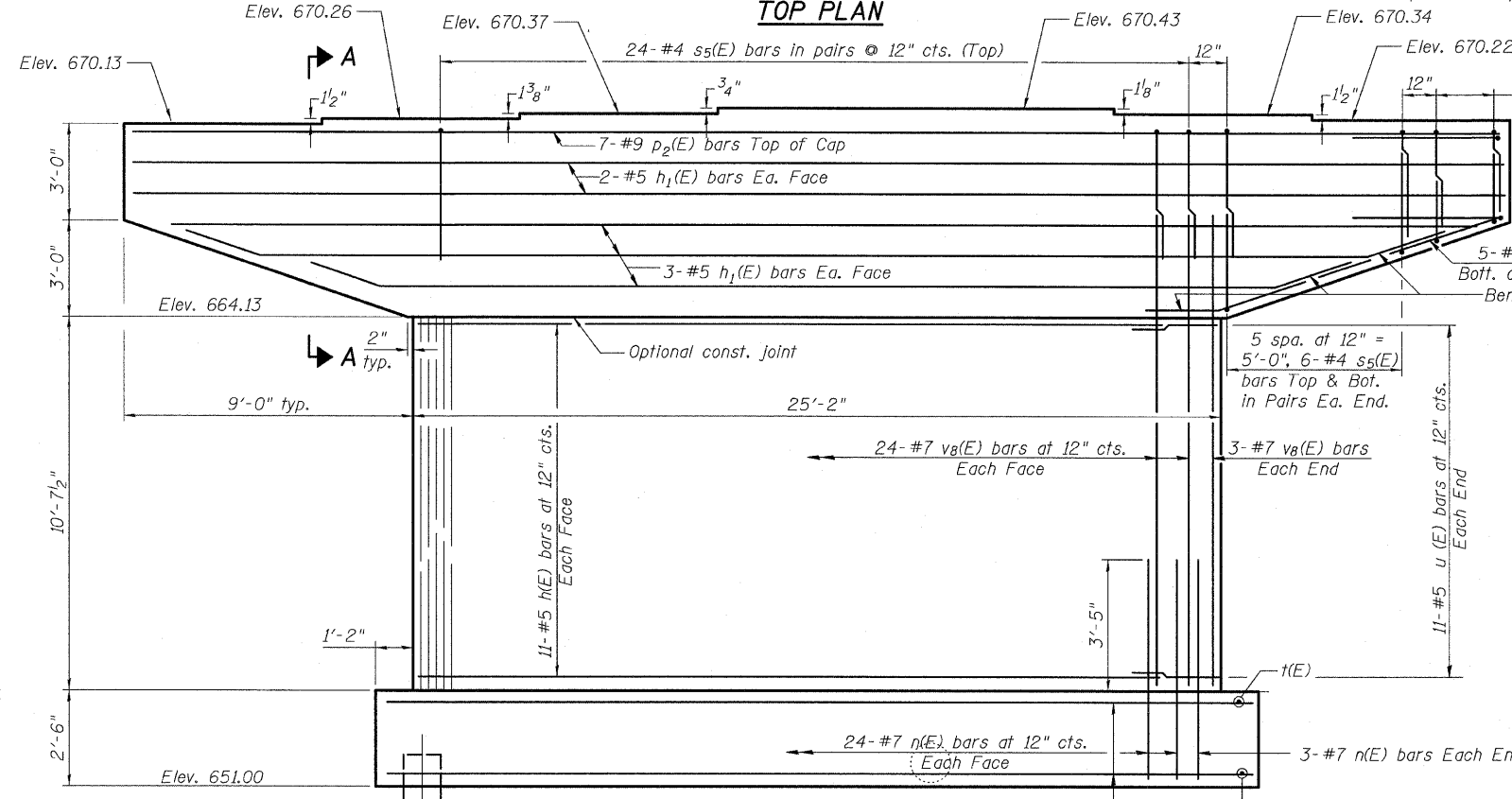


SECTION A-A

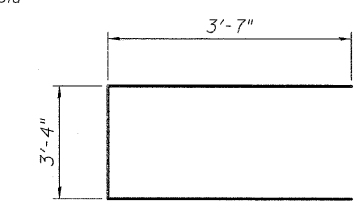
MINIMUM BAR LAP
#4 bar = 1'-8"

PIER
BILL OF MATERIAL

Bar No.	Size	Length	Shape
$h_1(E)$	22 #5	22'-6"	—
$h_2(E)$	10 #5	42'-10"	—
$n(E)$	54 #7	6'-6"	⌋
$p_1(E)$	10 #5	11'-0"	—
$p_2(E)$	7 #9	42'-10"	—
$s_5(E)$	98 #4	10'-0"	⌊
$s_6(E)$	24 #4	7'-10"	⌊
$t(E)$	28 #6	9'-8"	—
$t_1(E)$	28 #8	9'-8"	—
$u_1(E)$	22 #5	9'-8"	⌋
$u_2(E)$	8 #6	10'-6"	⌋
$v_8(E)$	54 #7	14'-6"	—
$w_1(E)$	20 #6	27'-2"	—
Structure Excavation	Cu. Yd.	127.4	
Concrete Structures	Cu. Yd.	84.1	
Reinforcement Bars, Epoxy Coated	Pound	7,490	
Furnishing Steel Piles, HP14x73	Foot	851	
Driving Piles	Foot	851	
Test Pile, HP14x73	Each	1	



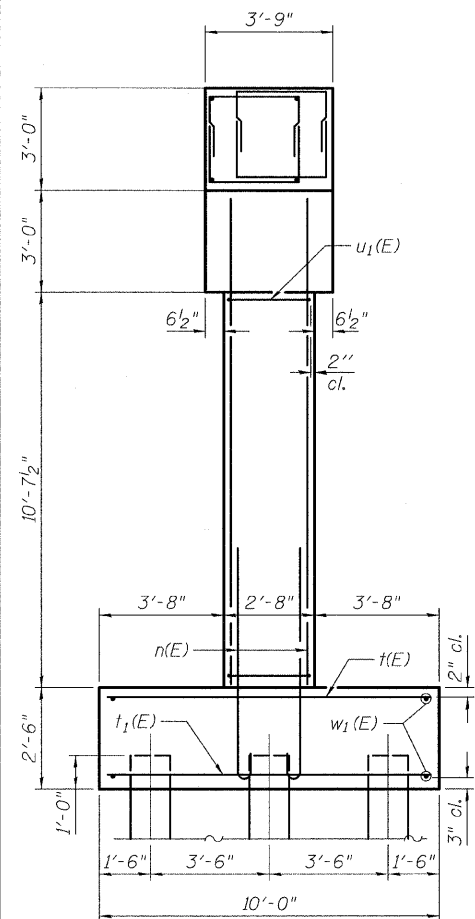
ELEVATION
(Looking East)



BAR $u_2(E)$

BARS $s_5(E), s_6(E)$
A & B DIMENSIONS

Bar	A	B
$s_5(E)$	2'-8"	3'-8"
$s_6(E)$	2'-8"	2'-7"

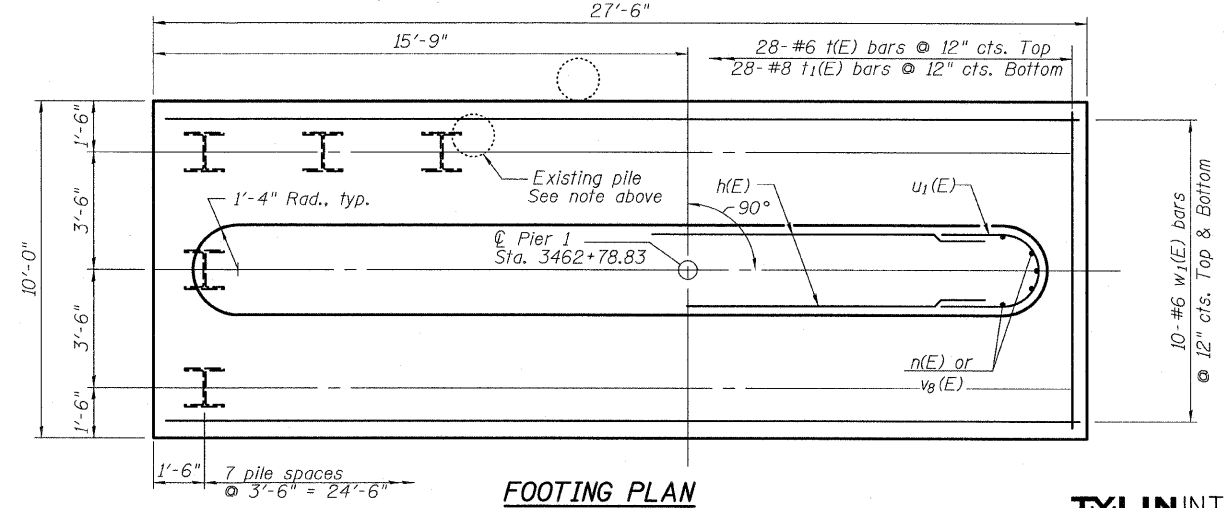


END VIEW

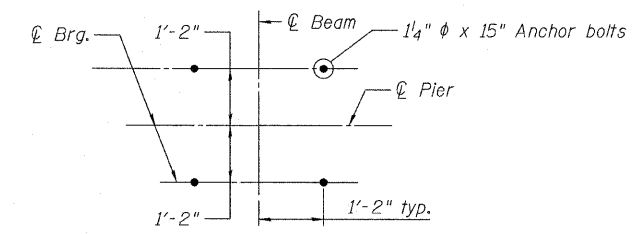
PILE DATA

Type: HP 14x73
Nominal Required Bearing: 260.8 kips
Factored Resistance Available: 130.4 kips
Est. Length: 37'
No. Production Piles: 23
No. Test Piles: 1

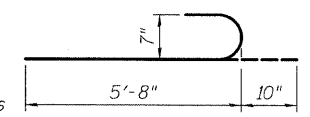
DESIGNED	- SP
CHECKED	- PDF
DRAWN	- IM,PK
CHECKED	- PDF



FOOTING PLAN



ANCHOR BOLT LAYOUT



BAR $n(E)$

PIER 1
STRUCTURE NO. 006-0171 WB

SHEET NO.	F.A. RTE.	SECTION	COUNTY	TOTAL SHEETS	SHEET NO.
59 SHEETS	80	*	BUREAU	344	142
			CONTRACT NO. 66908		
FED. ROAD DIST. NO.		ILLINOIS FED. AID PROJECT			

TYLIN INTERNATIONAL