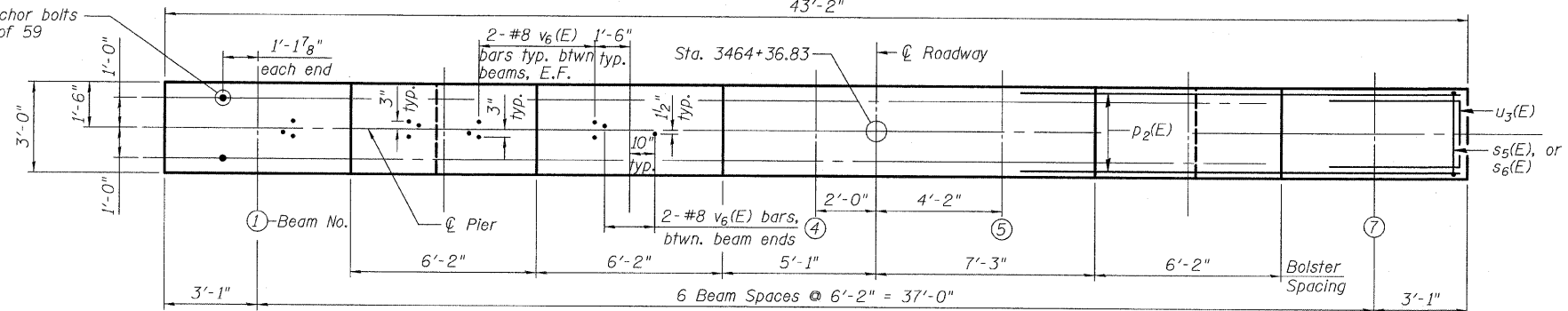


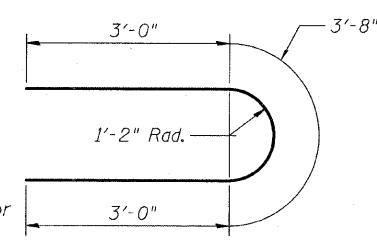
STATE OF ILLINOIS
DEPARTMENT OF TRANSPORTATION

Notes:
Space reinforcement in cap to miss anchor bolts.
Pour steps monolithically with cap.
For details of piles, see sheet 53 of 59.

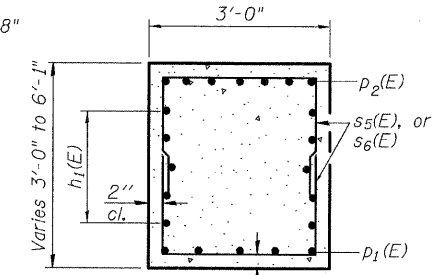
1/2" φ x 18" Anchor bolts
See Sheet 20 of 59



TOP PLAN



BAR u1(E)

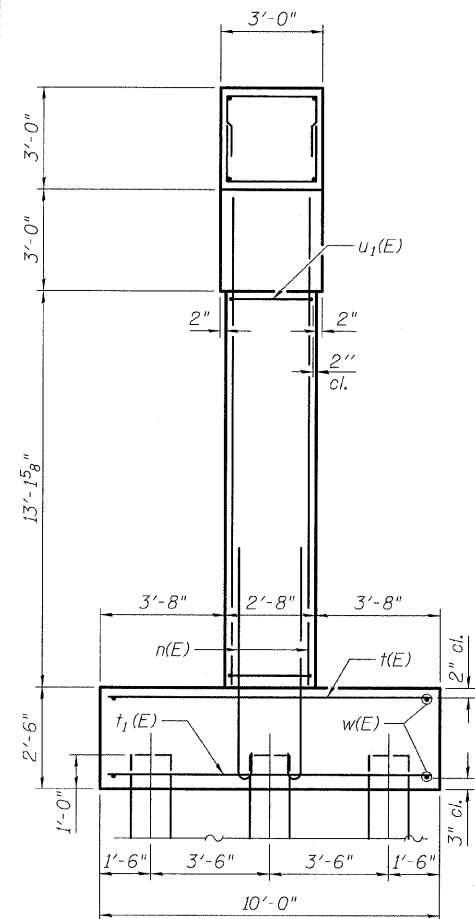


SECTION A-A

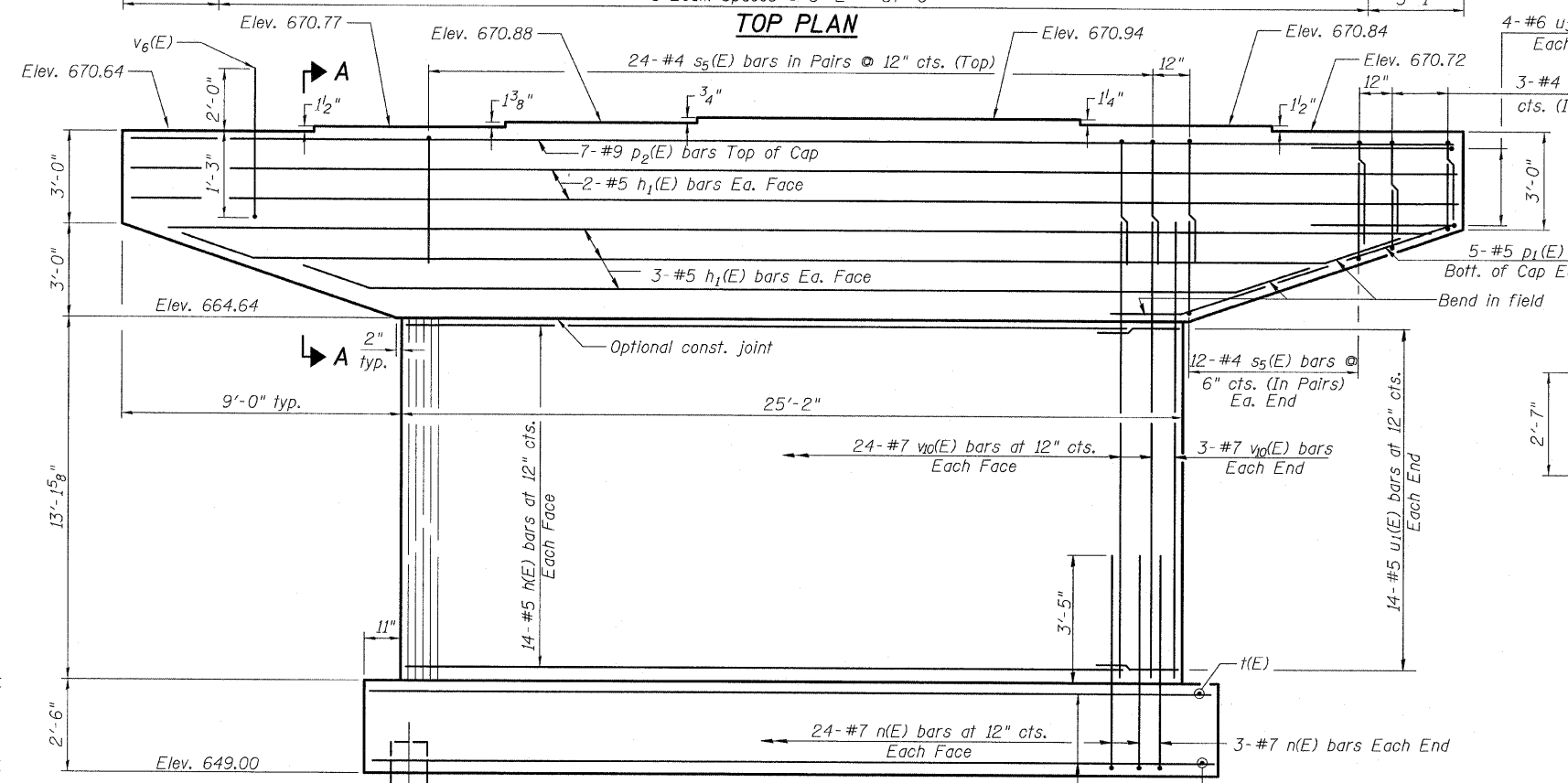
MINIMUM BAR LAP
#4 bar = 1'-8"

PIER
BILL OF MATERIAL

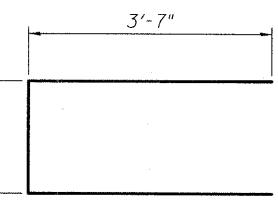
Bar	No.	Size	Length	Shape
n(E)	54	#7	6'-6"	U
p1(E)	10	#5	11'-0"	—
p2(E)	7	#9	42'-10"	—
s5(E)	72	#4	10'-0"	□
s6(E)	12	#4	7'-10"	□
t(E)	28	#6	9'-8"	—
t1(E)	28	#8	9'-8"	—
u1(E)	28	#5	9'-8"	U
u3(E)	8	#6	9'-9"	—
v6(E)	36	#8	4'-2"	U
w(E)	20	#6	26'-8"	—
Structure Excavation		Cu. Yd.	64.3	
Concrete Structures		Cu. Yd.	83.5	
Reinforcement Bars, Epoxy Coated		Pound	8,110	
Furnishing Steel Piles, HP14x73		Foot	728	
Driving Piles		Foot	728	
Test Pile, HP14x73		Each	1	



END VIEW



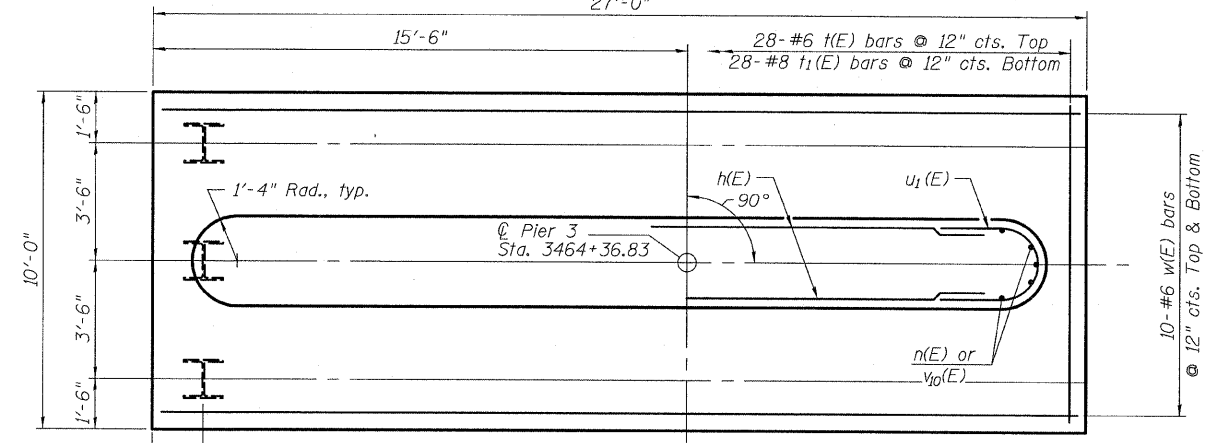
ELEVATION
(Looking East)



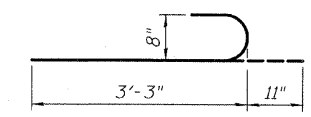
BAR u3(E)

BARS s5(E), s6(E)
A & B DIMENSIONS

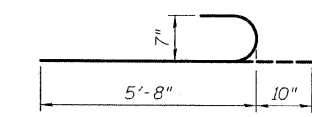
Bar	A	B
s5(E)	2'-8"	3'-8"
s6(E)	2'-8"	2'-7"



FOOTING PLAN



BAR v6(E)



BAR n(E)

PIER 3
STRUCTURE NO. 006-0171 WB

PILE DATA
Type: HP 14x73
Nominal Required Bearing: 400 kips
Factored Resistance Available: 200 kips
Est. Length: 52'
No. Production Piles: 14
No. Test Piles: 1

DESIGNED	- SP
CHECKED	- PDF
DRAWN	- IM,PK
CHECKED	- PDF

SHEET NO. 50	F.A. RTE. 80	SECTION *	COUNTY BUREAU	TOTAL SHEETS 344	SHEET NO. 144
59 SHEETS			CONTRACT NO. 66908		
FED. ROAD DIST. NO.		ILLINOIS FED. AID PROJECT			

TYLIN INTERNATIONAL