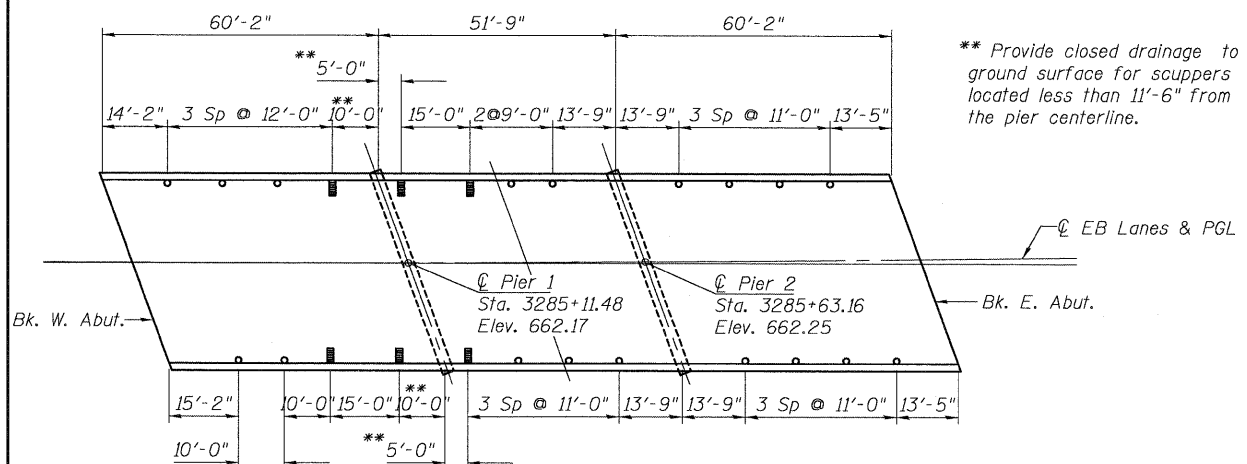
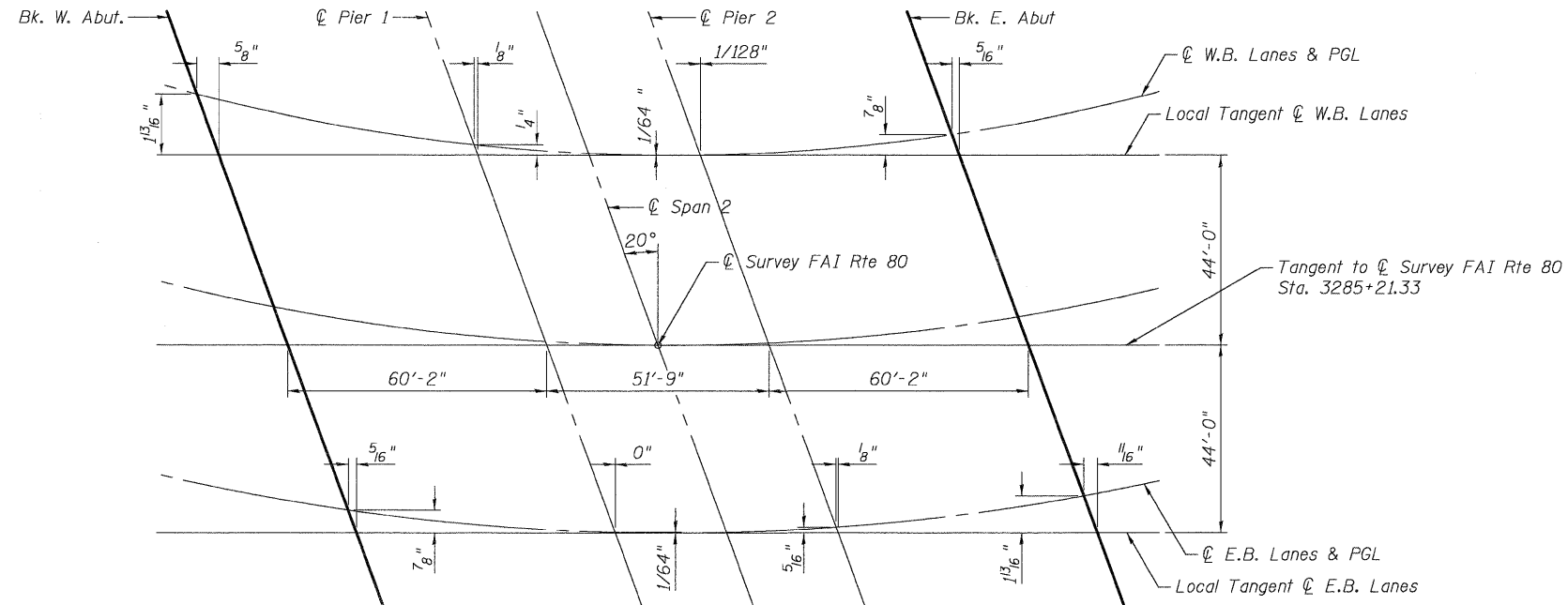


**WB SCUPPER & DRAIN SPACING**



**EB SCUPPER & DRAIN SPACING**

\*\* Provide closed drainage to ground surface for scuppers located less than 11'-6" from the pier centerline.



**OFFSET SKETCH**  
(Not to Scale)

**GENERAL NOTES**

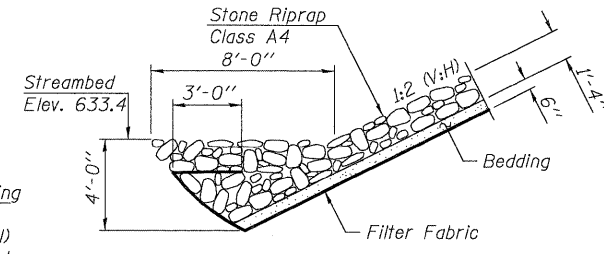
Reinforcement bars shall conform to the requirements of ASTM A 706 Gr 60. See Special Provisions.  
 Reinforcement bars designated (E) shall be epoxy coated.  
 Layout of slope protection system may be varied in the field to suit ground conditions as directed by the Engineer.  
 The Contractor shall drive test piles to 110% of the nominal required bearing specified in production locations at substructures specified or approved by the Engineer before ordering the remainder of piles.  
 The existing structural steel coating contains lead. The contractor shall take appropriate precautions to deal with the presence of lead on this project.

**TOTAL BILL OF MATERIAL - TWO STRUCTURES**

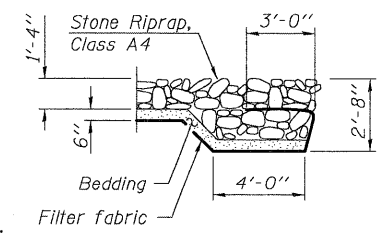
ITEM	UNIT	SUPER	SUB	TOTAL
Removal of Existing Structures	Each			2
Structure Excavation	Cu. Yd.		500	500
Porous Granular Embankment Special	Cu. Yd.		292	292
Concrete Structures	Cu. Yd.		513.0	513.0
Concrete Superstructure	Cu. Yd.	846.0		846.0
Protective Coat	Sq. Yd.	1829		1829
Bridge Deck Grooving	Sq. Yd.	1463		1463
Reinforcement Bars, Epoxy Coated	Pound	173030	42920	215950
Bar Splicers	Each	160		160
Furnishing Steel Piles HP 12x53	Foot		4486	4486
Driving Piles	Foot		4486	4486
Test Pile Steel, HP 12x53	Each		8	8
Concrete Encasement	Cu. Yd.		24.8	24.8
Name Plates	Each	2		2
Furnishing and Erecting Precast Prestressed Concrete I-Beams, 36"	Foot	2358		2358
Pipe Underdrains For Structures 4"	Foot			333
Geocomposite Wall Drain	Sq. Yd.			189
Drainage Scuppers, DS-11	Each	12		12
Floor Drains	Each	34		34
Stone Riprap, Class A4	Sq. Yd.			3222
Filter Fabric	Sq. Yd.			3222
Underwater Structure Excavation Protection-Location 1	Each		1	1
Underwater Structure Excavation Protection-Location 2	Each		1	1
Underwater Structure Excavation Protection-Location 3	Each		1	1
Underwater Structure Excavation Protection-Location 4	Each		1	1
Drainage System	L. Sum	1		1
Hot-Mix Asphalt Surface Removal (Asbestos)	Sq. Yd.	1238		1238

**INDEX OF SHEETS**

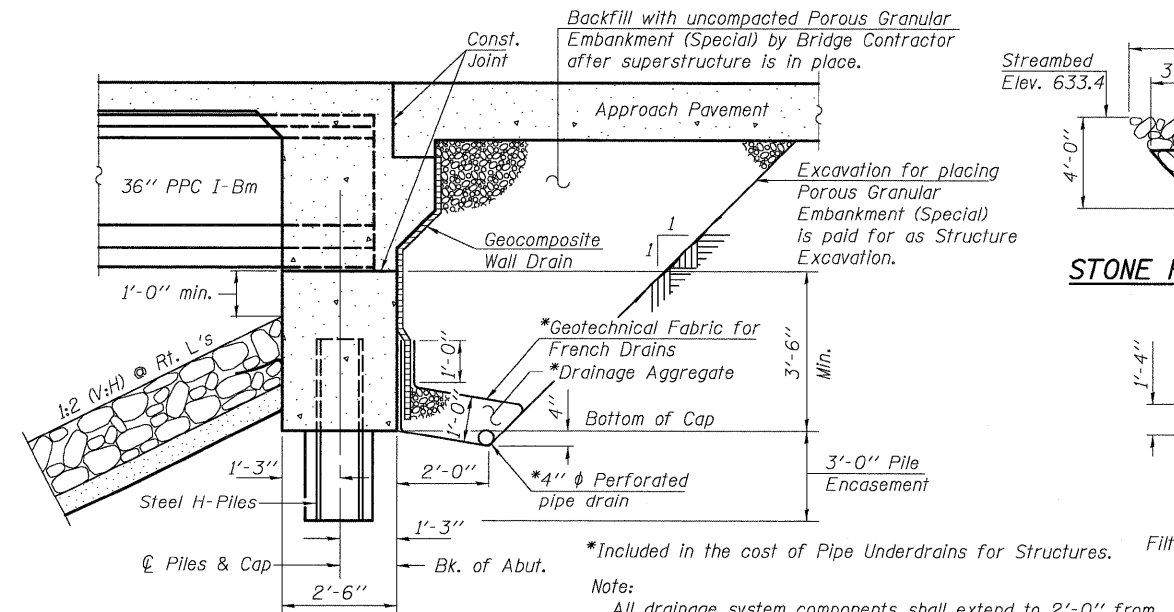
- 1 General Plan and Elevation
- 2 General Notes and Total Bill of Material
- 3 Footing Layout
- 4-7 Top of Slab Elevations WB Structure
- 8-9 Top of Slab Elevations WB Approach Pavement
- 10-13 Top of Slab Elevations EB Structure
- 14-15 Top of Slab Elevations EB Approach Pavement
- 16 Superstructure WB
- 17 Superstructure EB
- 18 Superstructure Details
- 19-20 Diaphragm Details
- 21 Concrete Parapet Slipforming Option
- 22-23 Bridge Approach Slab Details
- 24 Drainage Scuppers, DS-11
- 25 Drainage System
- 26 Framing Plan
- 27-29 PPC Beam Details
- 30 West Abutment WB
- 31 East Abutment WB
- 32 West Abutment EB
- 33 East Abutment EB
- 34 Pier 1 WB
- 35 Pier 2 WB
- 36 Pier 1 EB
- 37 Pier 2 EB
- 38 Steel Pile Details
- 39 Bar Splicer (Coupler) Details
- 40-45 Boring Logs



**STONE RIPRAP ANCHOR DETAIL**



**SECTION A-A**



**SECTION THRU INTEGRAL ABUTMENT**  
(Horiz. dim. @ Rt. L's)

**GENERAL NOTES & TOTAL BILL OF MATERIAL**

SN 006-0172 (EB) & SN 006-0173 (WB)

<p><b>Coombe-Bloxdorf P.C.</b> - CIVIL ENGINEERS - - STRUCTURAL ENGINEERS - - LAND SURVEYORS - Design Firm License No. 184-002703</p>	PROJECT NO. 05061 SCALE DATE 6/25/09 DESIGN BY RM/MCB DRAWN BY TFG CHECKED BY MCB	SHEET NO. 2  45 SHEETS	F.A.I. RTE. 80 SECTION * COUNTY BUREAU TOTAL SHEETS 344 SHEET NO. 155 CONTRACT NO. 66908	FED. ROAD DIST. NO. 7 ILLINOIS FED. AID PROJECT *06-L7BR & BR-1, TVB-M, 6BR & 6, 7 RS-1 & 1J
---	--	------------------------------	---	---

PLOT DATE = 09/08/2009  
 FILE NAME = \\0600172.0173-66908-002-gem-notes.dgn  
 USER NAME = GFC