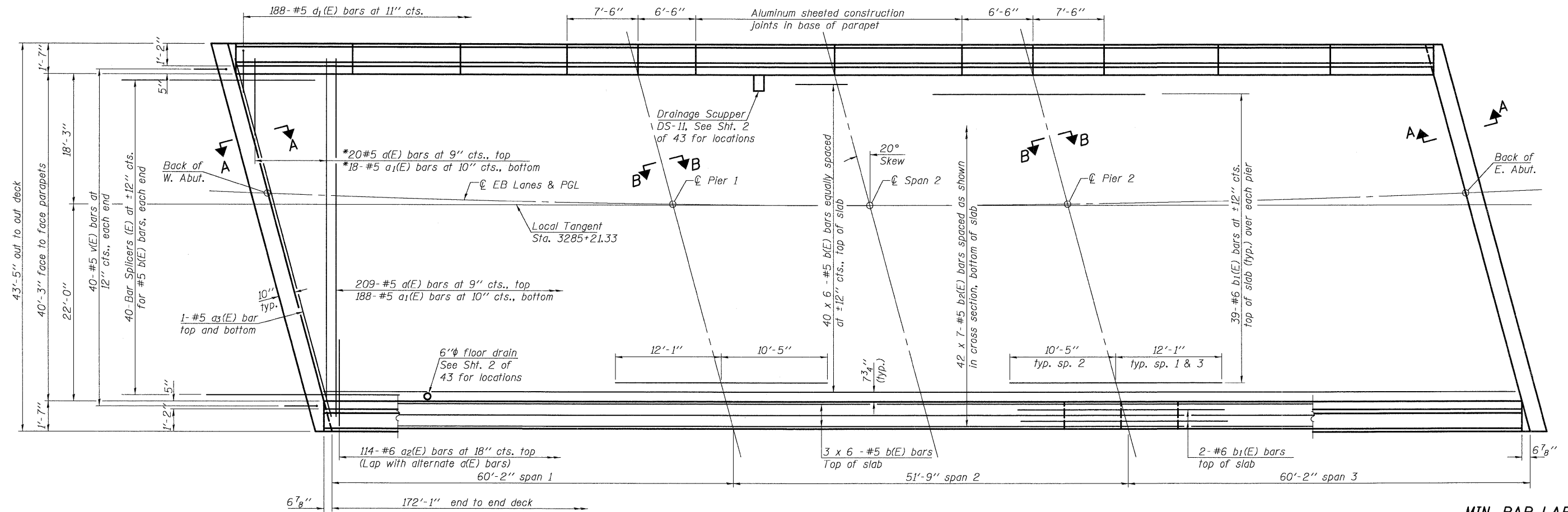
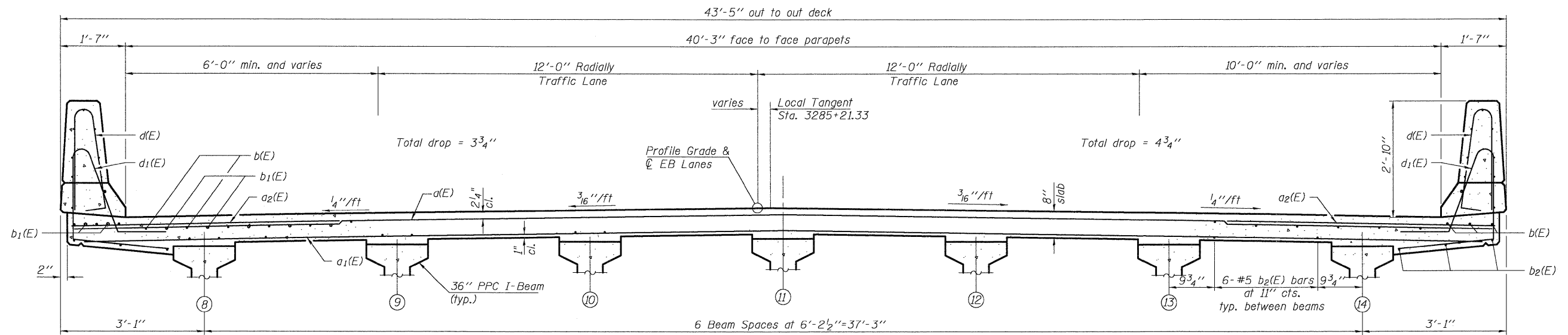


* Order a(E) and a₁(E) bars full length.
Cut to fit skew and use remainder of
bars in opposite end.



PLAN

MIN. BAR LAP
#5 bars = 1'-8"



NEAR PIER

CROSS SECTION
(Looking East)

NEAR MIDSPAN

SUPERSTRUCTURE EB
SN 006-0172 (EB)

Notes:
See Sheet 18 of 45 for superstructure details
and Bill of Material.
Bars indicated thus 40 x 6-#5 etc. indicates
40 lines of bars with 6 lengths per line.
See Sheet 18 of 45 for parapet reinforcement.
See Sheet 19 of 45 for reinforcement at Scuppers.

CB Coombe-Bloxdorf P.C.
-CIVIL ENGINEERS-
-STRUCTURAL ENGINEERS-
-LAND SURVEYORS-
Design Firm License No. 184-002703

PROJECT NO. 05061
SCALE
DATE 6/25/09
DESIGN BY RM/MCB
DRAWN BY TFG
CHECKED BY MCB

SHEET NO. 17
45 SHEETS

F.A.I. RTE.	SECTION	COUNTY	TOTAL SHEETS	SHEET NO.
80	*	BUREAU	344	170
CONTRACT NO. 66908				
FED. ROAD DIST. NO. 7 ILLINOIS FED. AID PROJECT				

*06-17BR & BR-1, TVB-M, 6BR & 6, 7 RS-1 & 1J

PLOT DATE = 09/08/2009
FILE NAME = ...060172_0173-66908-017-super-eb.dgn
USER NAME = CFC

P11-2-R

10-1-08