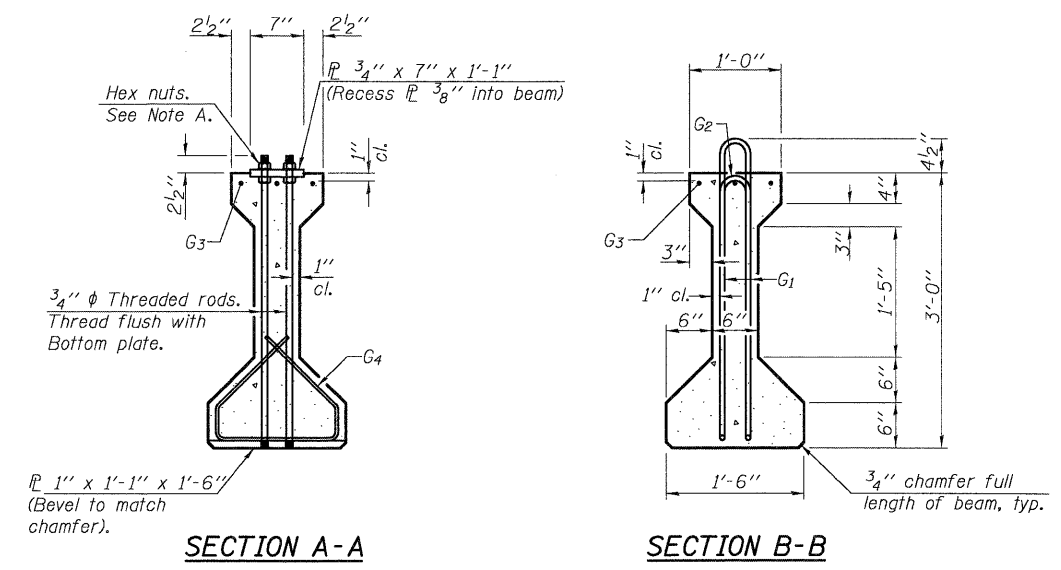


**ELEVATION OF BEAM**  
(Showing reinforcement & dimensions)

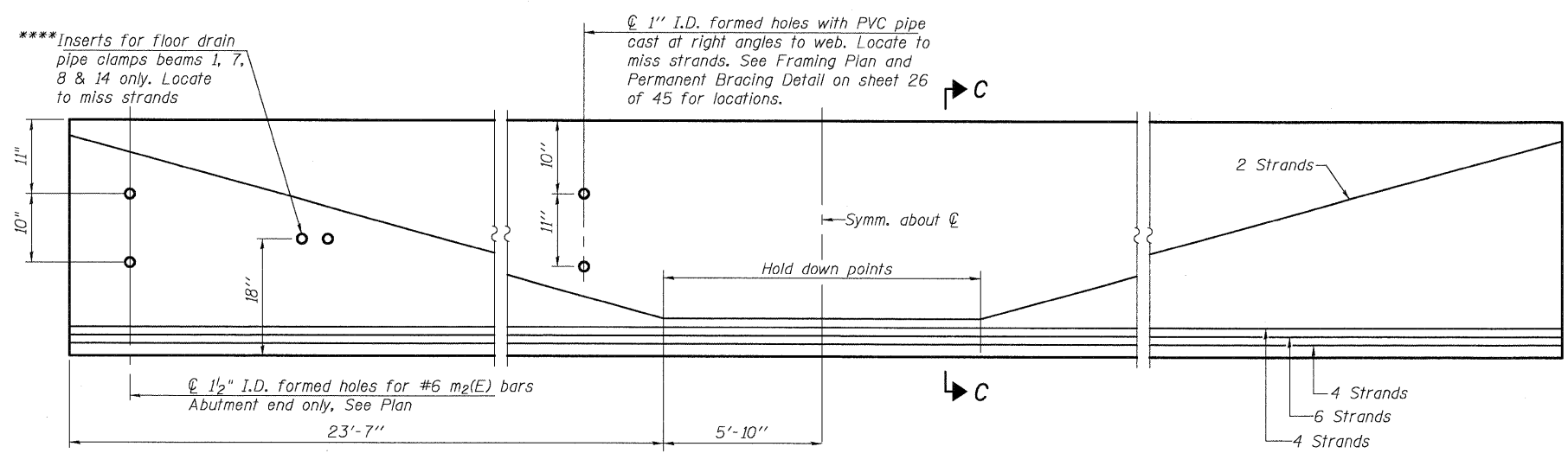
\* 3 spaces at 3" = 9"  
\*\* 4-3/4" φ threaded dowel rods at 3" cls., Each Face

Note A:  
Hex nuts (top and bottom) with lock washers (top). Only tighten sufficiently to compress lock washers.



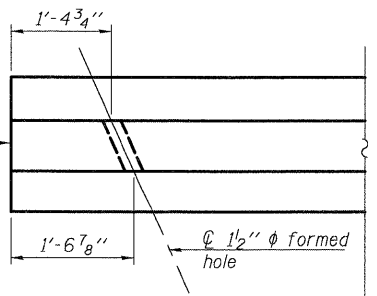
**SECTION A-A**

**SECTION B-B**



**ELEVATION OF BEAM**  
(Showing prestressing steel)

\*\*\*\*See Sheet 2 of 45 for floor drain locations.



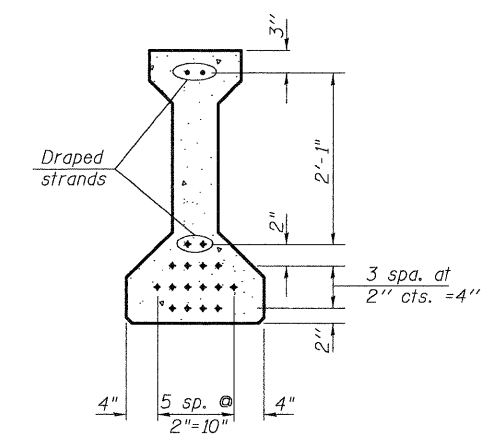
**PLAN END OF BEAM**  
Showing location of 1 1/2" I.D. holes at Abutment end of beams

**\*\*\*BAR LIST  
ONE BEAM ONLY**

Bar	No.	Size	Length	Shape
G <sub>1</sub>	98	#4	7'-5"	⊔
G <sub>2</sub>	8	#4	5'-8"	⊔
G <sub>3</sub>	6	#5	30'-6"	—
G <sub>4</sub>	38	#3	4'-1"	⊔
G <sub>5</sub>	2	#8	6'-6"	⌋

\*\*\*For information only

Notes:  
See sheet 29 of 45 for additional details and Bill of Material.  
Required release strength, f'ci, shall be 5000 psi.



**SECTION C-C**

**36" PPC I-BEAM SPANS 1 & 3  
SN 006-0172 (EB) & SN 006-0173 (WB)**

<b>Coombe-Bloxdorf P.C.</b> - CIVIL ENGINEERS - - STRUCTURAL ENGINEERS - - LAND SURVEYORS - Design Firm License No. 184-002703	PROJECT NO. 05061 SCALE DATE 8/31/09 DESIGN BY RM/MCB DRAWN BY TFG CHECKED BY MCB	SHEET NO. 27 45 SHEETS	F.A.I. RTE. 80 SECTION * COUNTY BUREAU CONTRACT NO. 66908	TOTAL SHEETS 344 SHEET NO. 180
	FED. ROAD DIST. NO. 7 ILLINOIS FED. AID PROJECT *06-I7BR & BR-1, TVB-M, 6BR & 6, 7 RS-1 & IJ			

PLOT DATE = 09/08/2009  
 FILE NAME = ..\0060172-0173-66908-027-ppc-beams-1-3.dgn  
 USER NAME = CFC