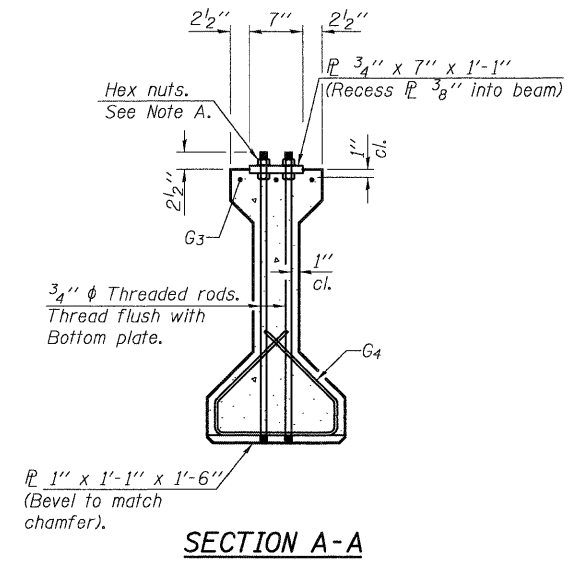


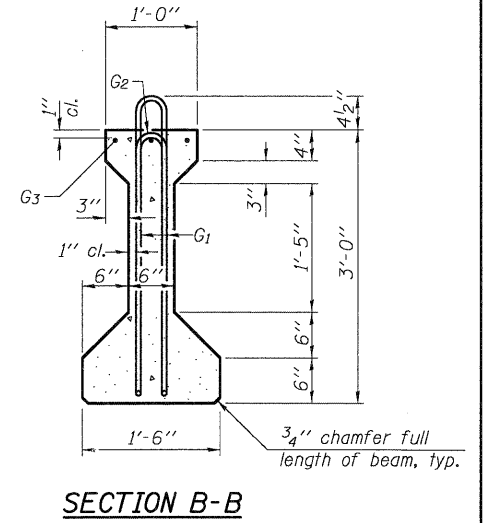
ELEVATION OF BEAM
(Showing reinforcement & dimensions)

* 3 spaces at 3" = 9"
** 4-3/4" ϕ threaded dowel rods at 3" cts., Each Face

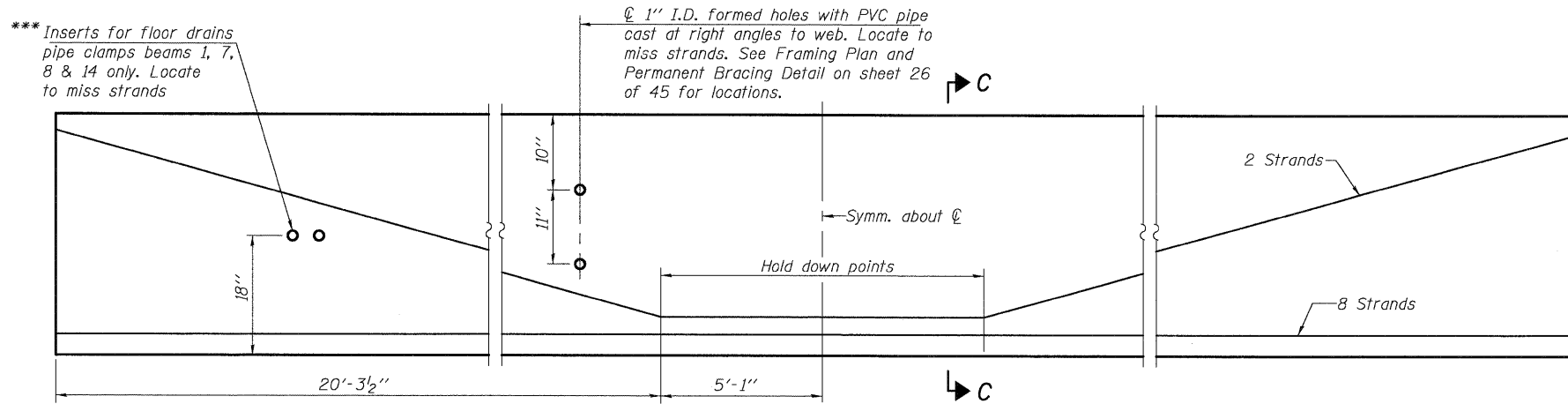
Note A:
Hex nuts (top and bottom) with lock washers (top). Only tighten sufficiently to compress lock washers.



SECTION A-A

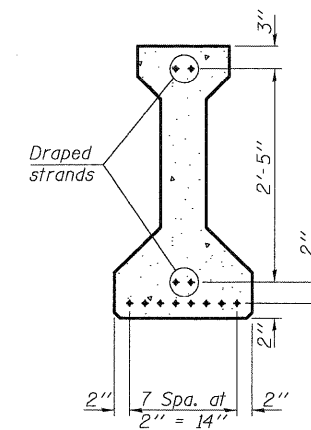


SECTION B-B



ELEVATION OF BEAM
(Showing prestressing steel)

***See Sheet 1 of 45 for floor drain locations.



SECTION C-C

*****BAR LIST
ONE BEAM ONLY**

| Bar | No. | Size | Length | Shape |
|----------------|-----|------|--------|-------|
| G ₁ | 84 | #4 | 7'-5" | ∩L |
| G ₂ | 8 | #4 | 5'-8" | ∩ |
| G ₃ | 6 | #5 | 26'-6" | — |
| G ₄ | 38 | #3 | 4'-1" | ∩ |
| G ₆ | 4 | #8 | 6'-6" | U |

***For information only

Notes:
See sheet 29 of 45 for additional details and Bill of Material.
Required release strength, f'ci, shall be 5000 psi.

PLOT DATE = 09/06/2009
FILE NAME = \0060172\0173-66908-028-ppc-beam-2.dgn
USER NAME = OFC

PI-4-36 10-1-08

CB Coombe-Bloxdorf P.C.
-CIVIL ENGINEERS-
-STRUCTURAL ENGINEERS-
-LAND SURVEYORS-
Design Firm License No. 184-002703

| | |
|-------------|---------|
| PROJECT NO. | 05061 |
| SCALE | |
| DATE | 6/25/09 |
| DESIGN BY | RM/MCB |
| DRAWN BY | TFG |
| CHECKED BY | MCB |

| | | | | |
|---|---------|--------|--------------|-----------|
| F.A.I. RTE. | SECTION | COUNTY | TOTAL SHEETS | SHEET NO. |
| 80 | * | BUREAU | 344 | 181 |
| CONTRACT NO. 66908 | | | | |
| FED. ROAD DIST. NO. 7 ILLINOIS FED. AID PROJECT | | | | |

*06-L7BR & BR-1, TVB-M, 6BR & 6, 7 RS-1 & 11

36" PPC I-BEAM SPAN 2
SN 006-0172 (EB) & SN 006-0173 (WB)