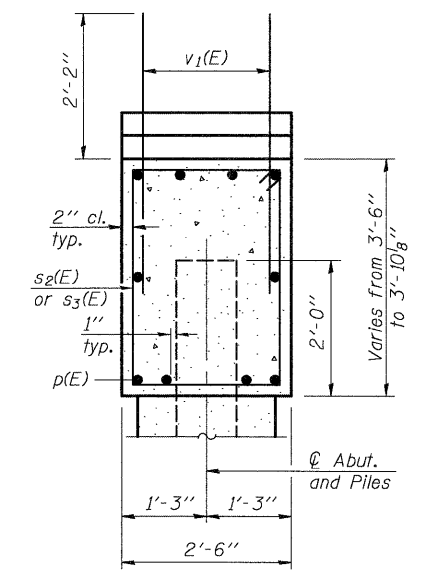
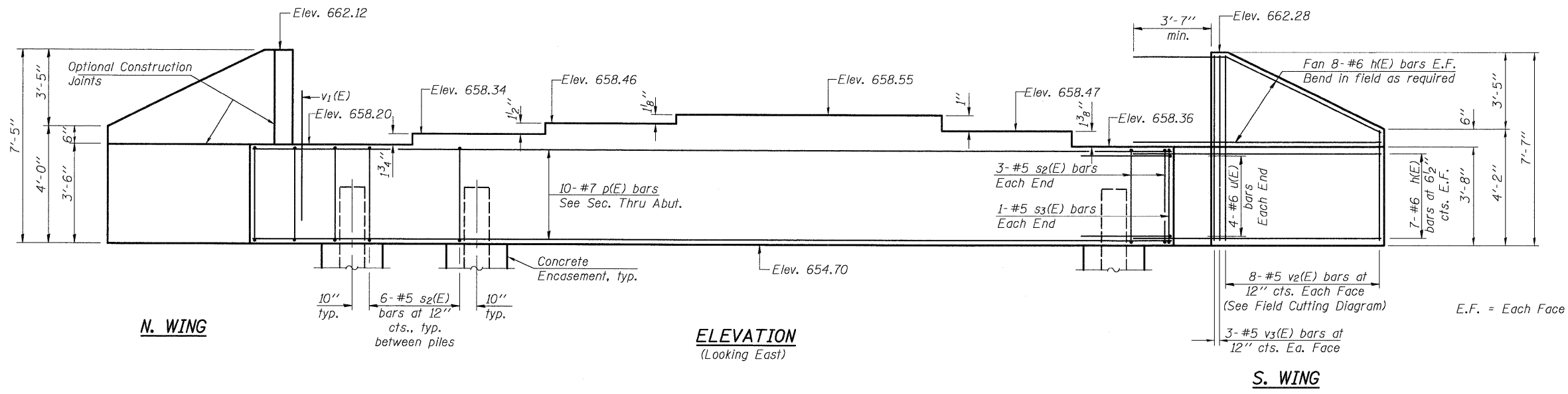
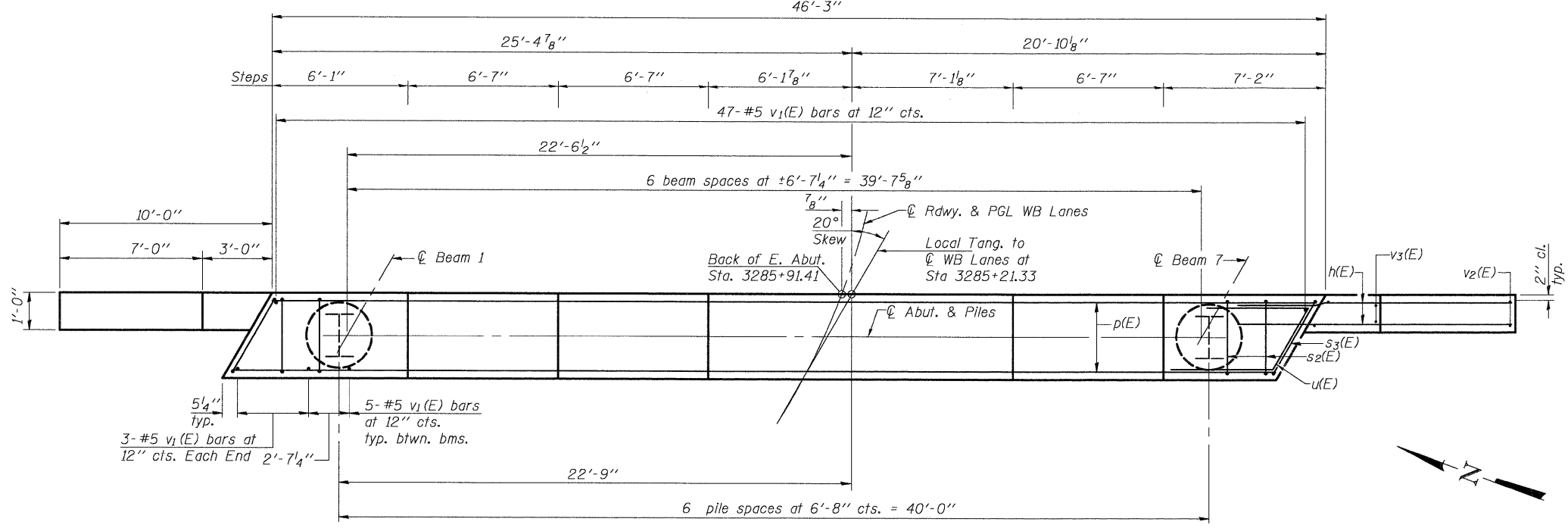


Notes:
Pour steps monolithically with cap.



SEC. THRU ABUT.
(dim. at right L's)



PLAN

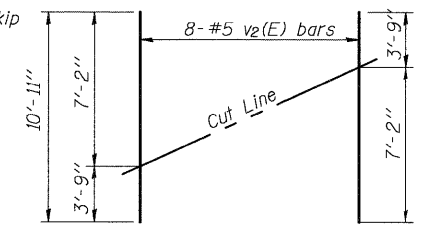
BILL OF MATERIAL

Bar	No.	Size	Length	Shape
h(E)	60	#6	13'-7"	—
p(E)	10	#7	45'-11"	—
s2(E)	42	#5	11'-7"	□
s3(E)	2	#5	11'-11"	□
u(E)	8	#6	9'-4"	┘
v1(E)	83	#5	4'-4"	—
v2(E)	16	#5	10'-11"	—
v3(E)	12	#5	7'-2"	—
Structure Excavation		Cu. Yd.	125	
Concrete Structures		Cu. Yd.	20.4	
Reinforcement Bars, Epoxy Coated		Pound	3450	
Furnishing Steel Piles, HP12x53		Foot	384	
Driving Piles		Foot	384	
Test Pile, Steel HP12x53		Each	1	
Concrete Encasement		Cu. Yd.	2.4	

For details of piles and Concrete Encasement, see sheet 38 of 45.

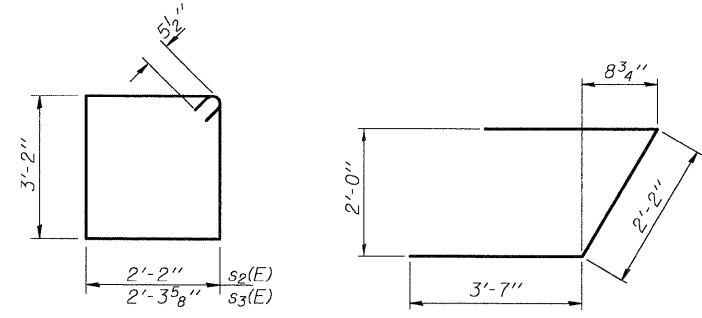
PILE DATA

Type: Steel HP12 x 53
Nominal Required Bearing: 360 kip
Allowable Resistance Available: 120 kip
Est. Length: 64 ft.
No. Production Piles: 6
No. Test Piles: 1



FIELD CUTTING DIAGRAM

Order v2(E) full length. Cut as shown and use remainder of bars in opposite face.



BARS s2(E) & s3(E)

BAR u(E)

CB Coombe-Bloxdorf P.C.
-CIVIL ENGINEERS-
-STRUCTURAL ENGINEERS-
-LAND SURVEYORS-
Design Firm License No. 184-002703

PROJECT NO.	05061
SCALE	
DATE	8/05/09
DESIGN BY	RM/MCB
DRAWN BY	TFG
CHECKED BY	MCB

SHEET NO. 31	F.A.I. RTE. 80	SECTION *	COUNTY BUREAU	TOTAL SHEETS 344	SHEET NO. 184
CONTRACT NO. 66908					
FED. ROAD DIST. NO. 7 ILLINOIS FED. AID PROJECT					

*06-L7BR & BR-1, TVB-M, 6BR & 6, 7 RS-1 & 1J

PLOT DATE = 09/08/2009
 FILE NAME = \\06060172.0173-66908-031-e-abut-wb.dgn
 PLOT SCALE = 1/8" = 1'-0"
 USER NAME = GFC

AI-R 10-1-08