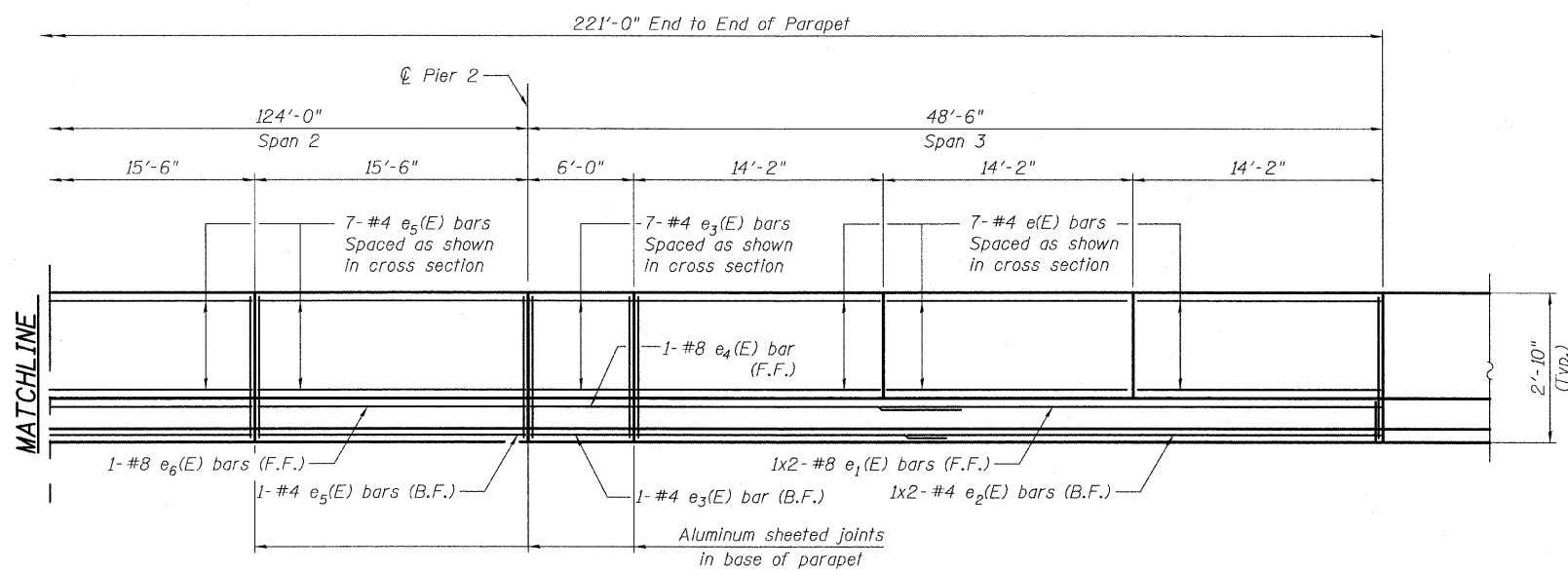
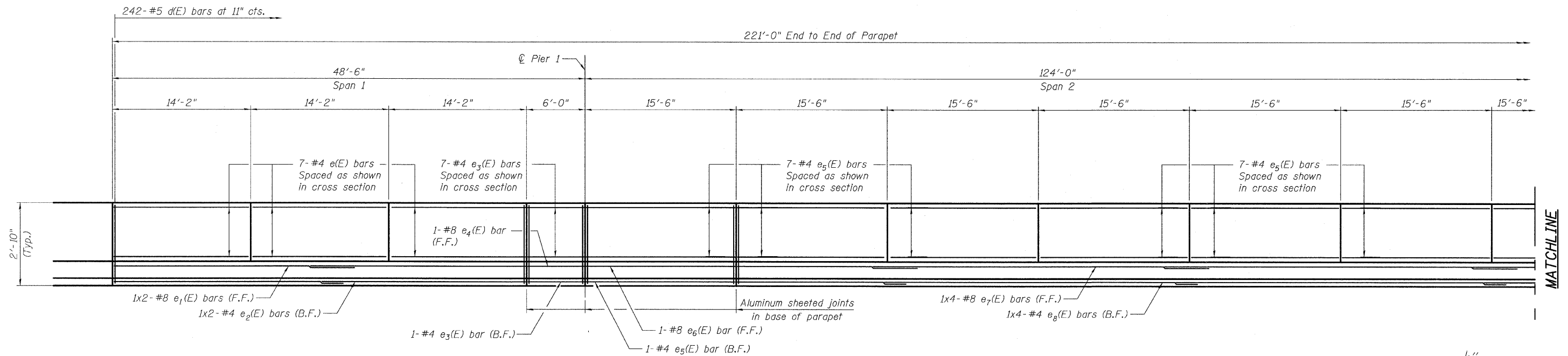
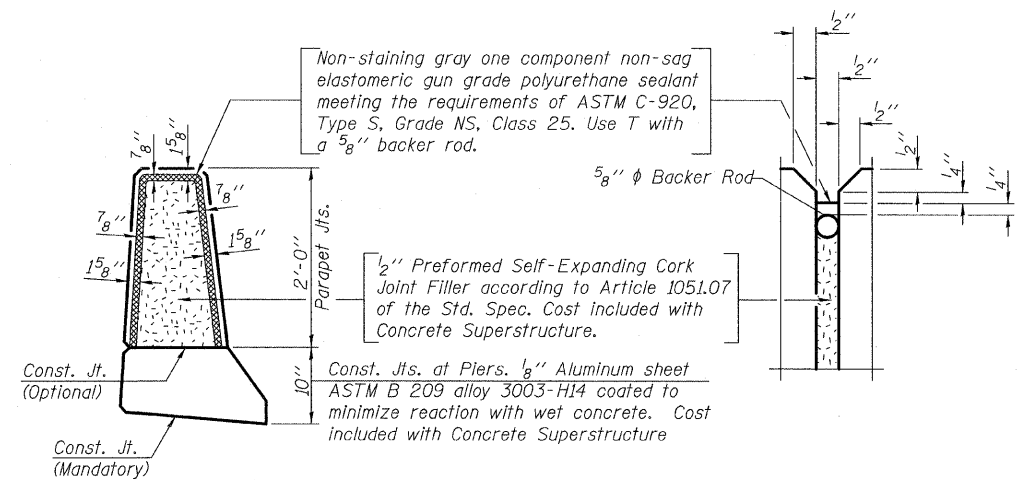


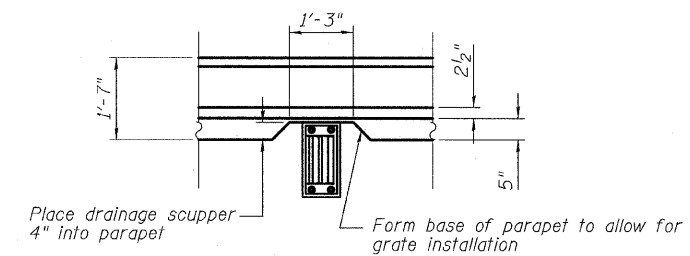
STATE OF ILLINOIS  
DEPARTMENT OF TRANSPORTATION



INSIDE ELEVATION OF PARAPET



PARAPET JOINT DETAILS



PLAN AT DRAINAGE SCUPPER  
(EB Bridge only)

DESIGNED	I.M.
CHECKED	PDF
DRAWN	I.M.
CHECKED	PDF

MINIMUM BAR LAPS

#4 bar = 1'-4"  
#8 bar = 3'-5"

LEGEND:

F.F. - Denotes Front Face  
B.F. - Denotes Back Face

SUPERSTRUCTURE DETAILS I

STRUCTURE NO. 006-0174 (EB)

STRUCTURE NO. 006-0175 (WB)

SHEET NO. 12	F.A. RTE.	SECTION	COUNTY	TOTAL SHEETS	SHEET NO.
	80	*	BUREAU	374	210
39 SHEETS	CONTRACT NO. 66908				
FED. ROAD DIST. NO.		ILLINOIS FED. AID PROJECT			

TYLIN INTERNATIONAL