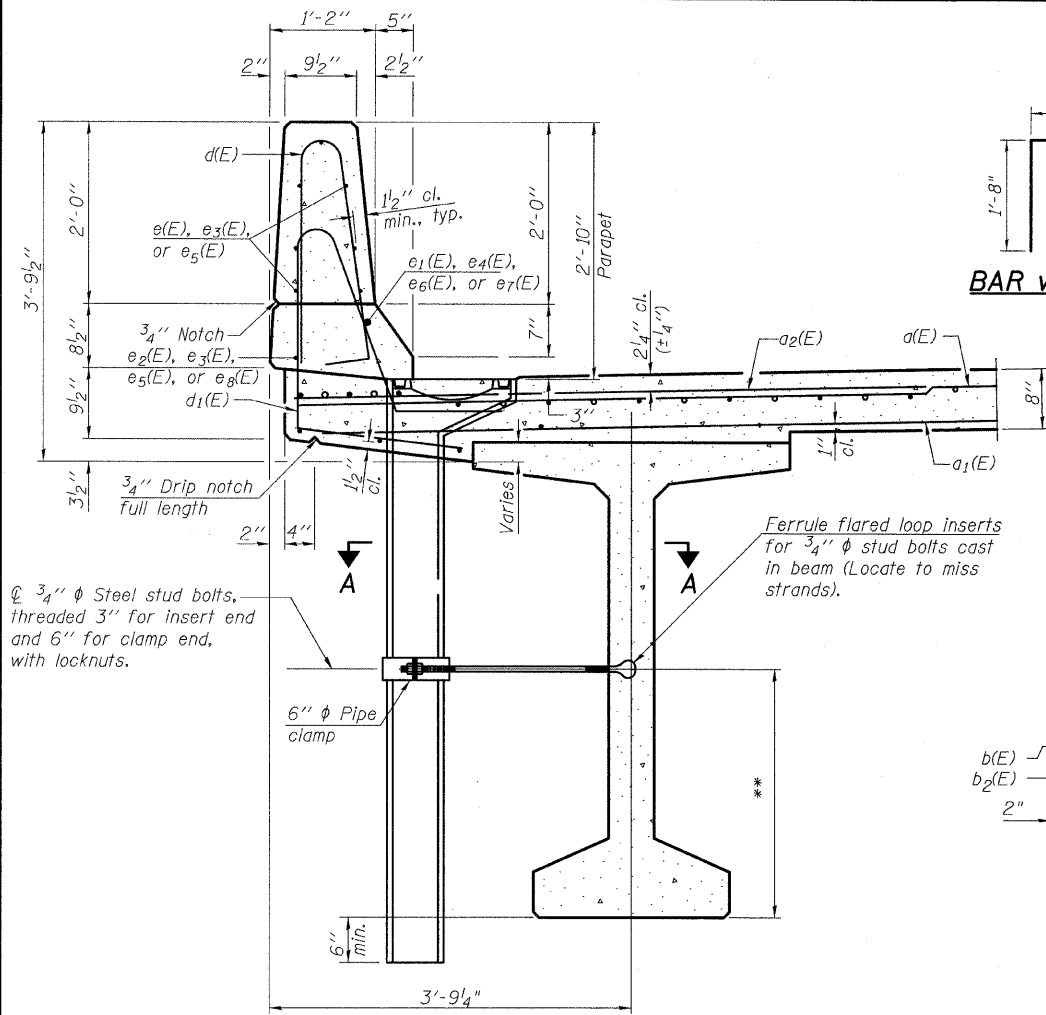


STATE OF ILLINOIS  
DEPARTMENT OF TRANSPORTATION



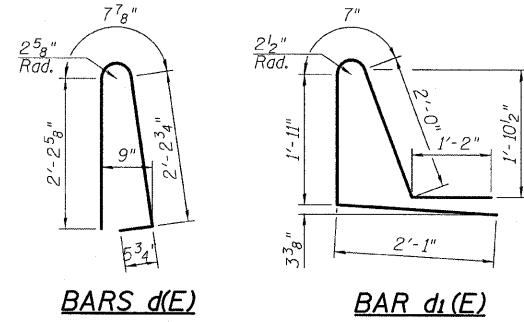
**SECTION THRU PARAPET**

\*\*For insert locations See PPC I-Beam details.

3/4"  $\phi$  Steel stud bolts, threaded 3" for insert end and 6" for clamp end, with locknuts.

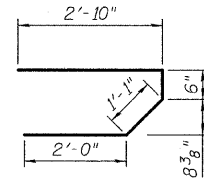
Ferrule flared loop inserts for 3/4"  $\phi$  stud bolts cast in beam (Locate to miss strands).

**BAR v(E)**

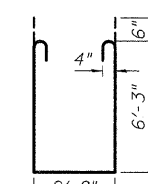


**BARS d(E)**

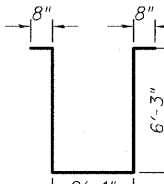
**BAR d1(E)**



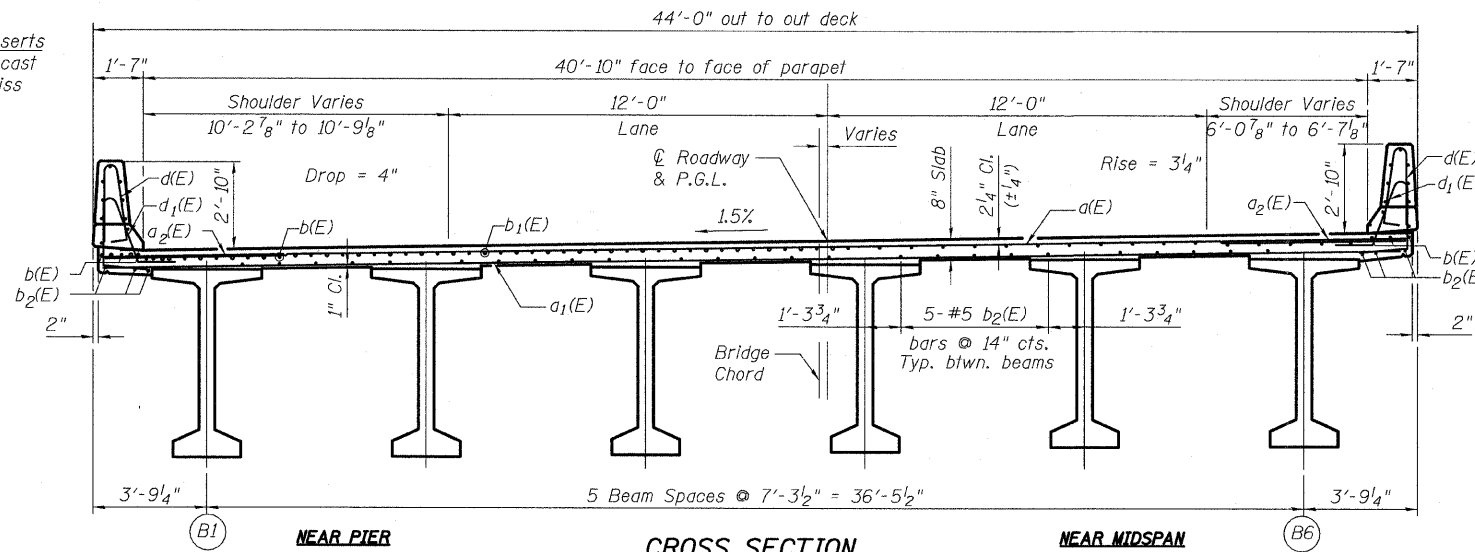
**BAR s(E)**



**BAR s1(E)**

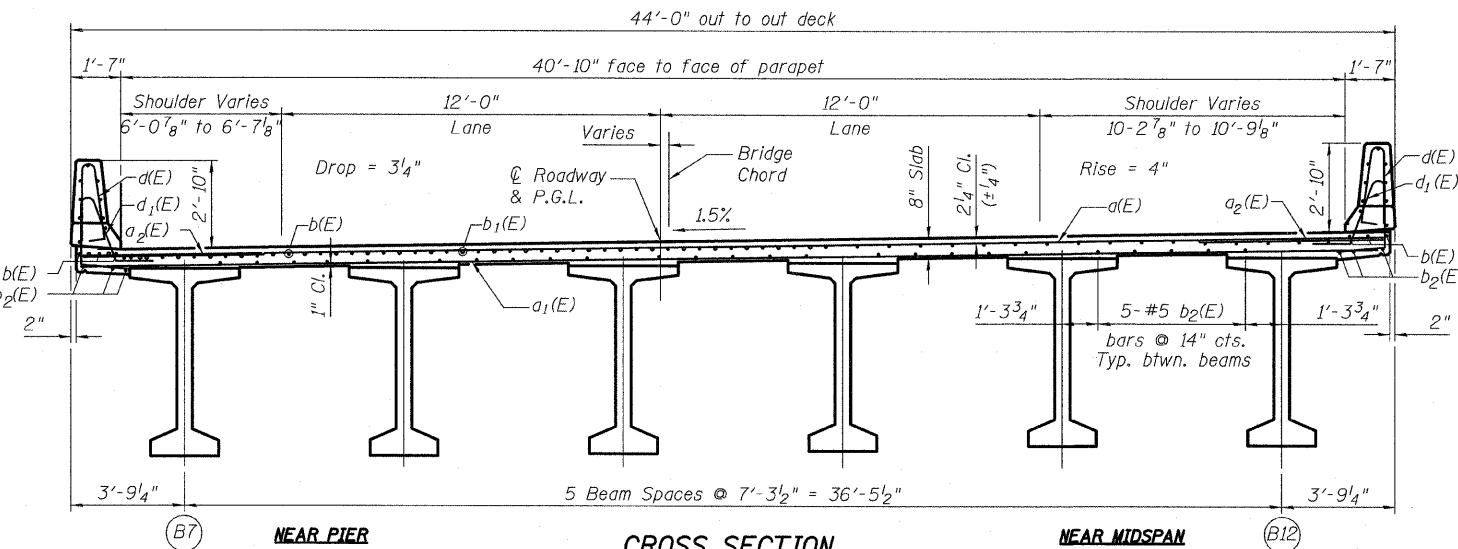


**BAR s2(E)**



**CROSS SECTION**

Westbound - Looking East



**CROSS SECTION**

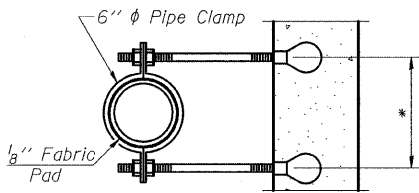
Eastbound - Looking East

**BILL OF MATERIAL**

(Each Bridge - 2 Thus)

Bar	No.	Size	Length	Shape
a(E)	296	#5	43'-3"	—
a1(E)	266	#5	42'-4"	—
a2(E)	296	#6	6'-0"	—
a3(E)	40	#5	1'-6"	—
b(E)	384	#5	29'-7"	—
b1(E)	92	#7	46'-0"	—
b2(E)	279	#5	26'-6"	—
d(E)	484	#5	5'-7"	U
d1(E)	484	#5	7'-9"	L
e(E)	84	#4	13'-11"	—
e1(E)	8	#8	22'-10"	—
e2(E)	8	#4	21'-10"	—
e3(E)	32	#4	5'-9"	—
e4(E)	4	#8	5'-9"	—
e5(E)	112	#4	15'-3"	—
e6(E)	4	#8	15'-3"	—
e7(E)	8	#8	26'-8"	—
e8(E)	8	#4	24'-7"	—
m(E)	12	#6	43'-9"	—
m1(E)	36	#6	10'-1"	—
m2(E)	30	#6	4'-9"	—
m3(E)	4	#6	2'-4"	—
m4(E)	40	#4	6'-5"	—
m5(E)	12	#8	6'-2"	—
s(E)	72	#5	6'-5"	U
s1(E)	52	#4	16'-2"	U
s2(E)	40	#4	16'-2"	U
v(E)	84	#5	3'-4"	L
Reinforcement Bars, Epoxy Coated			POUND	70,050
Concrete Superstructure			CU YD	410.3

\* Required only at EB Bridge



**SECTION A-A**

\*Dimension as required by Pipe Clamp

DESIGNED	IM
CHECKED	PDF
DRAWN	IM
CHECKED	PDF

**SUPERSTRUCTURE DETAILS III**

STRUCTURE NO. 006-0174 (EB)

STRUCTURE NO. 006-0175 (WB)

SHEET NO. 14	F.A. RTE.	SECTION	COUNTY	TOTAL SHEETS	SHEET NO.
	80	*	BUREAU	344	212
39 SHEETS	FED. ROAD DIST. NO.		ILLINOIS	FED. AID PROJECT	
			CONTRACT NO. 66908		

TYLIN INTERNATIONAL

\* 06-I7BR & BR-1,7VB-M, 6BR & 6, 7 RS-1 & 11