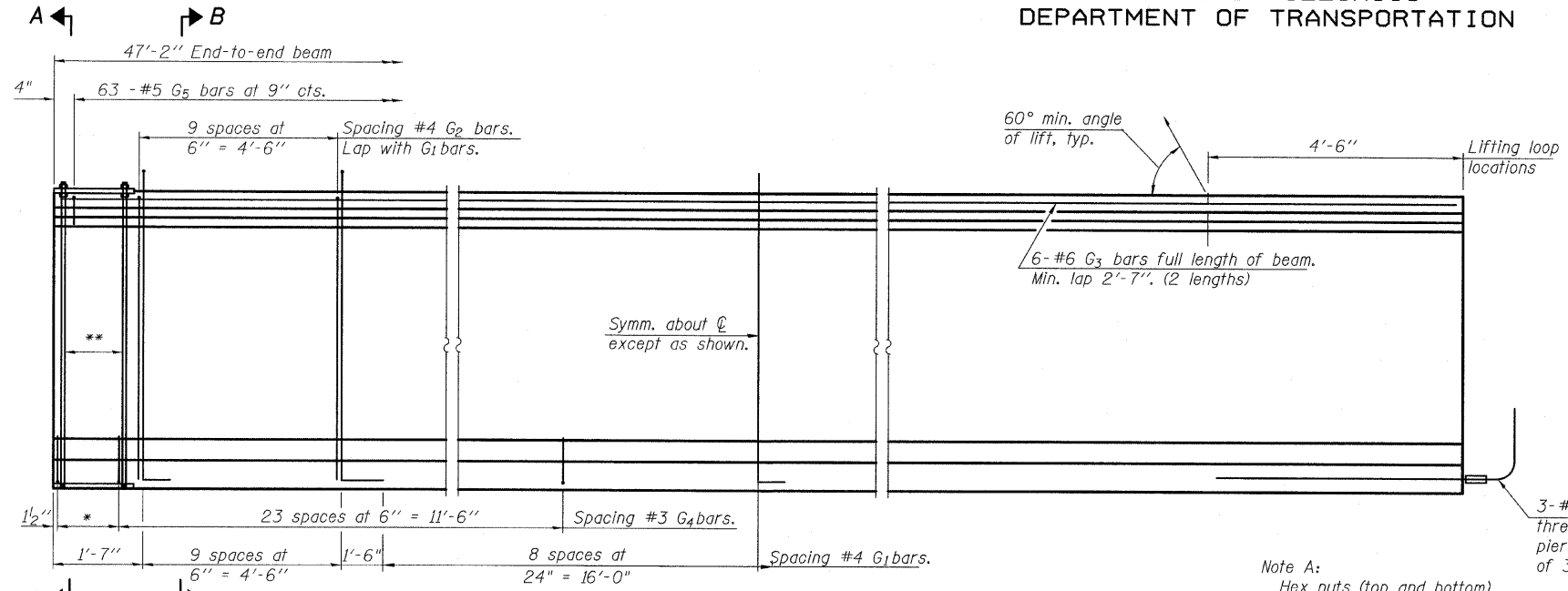


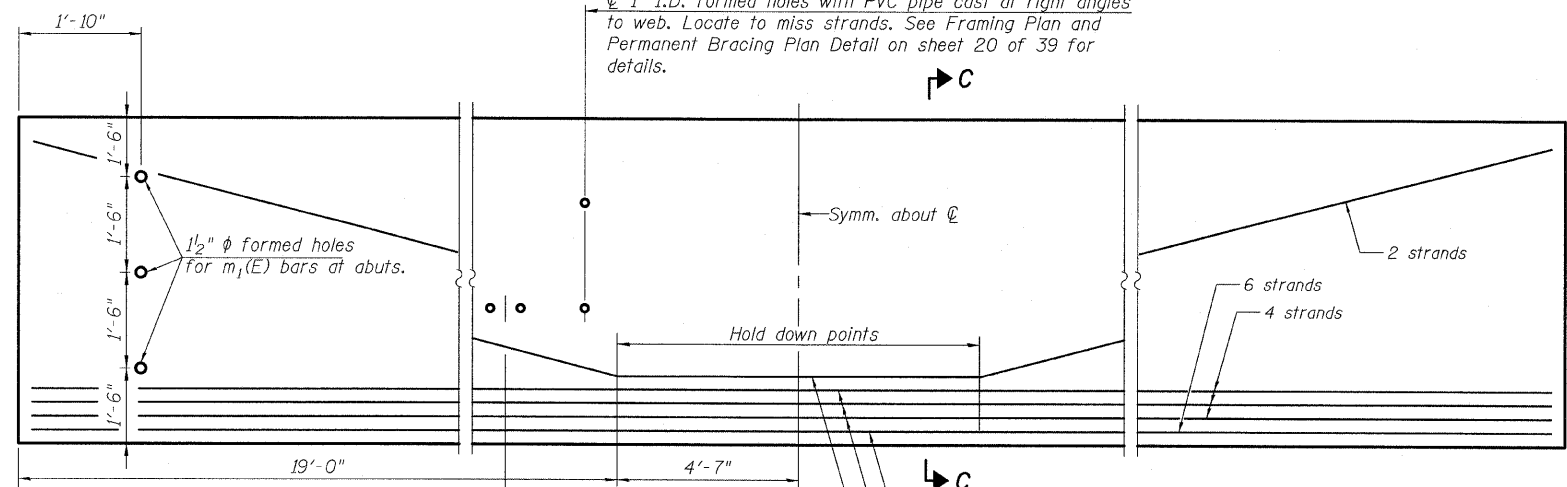
STATE OF ILLINOIS
DEPARTMENT OF TRANSPORTATION



ELEVATION OF BEAM
(Showing reinforcement & dimensions)

* 4 spaces at 3 1/4" = 1'-1".
** 5- 3/4" φ threaded dowel rods at 3 1/4" cts., each face.

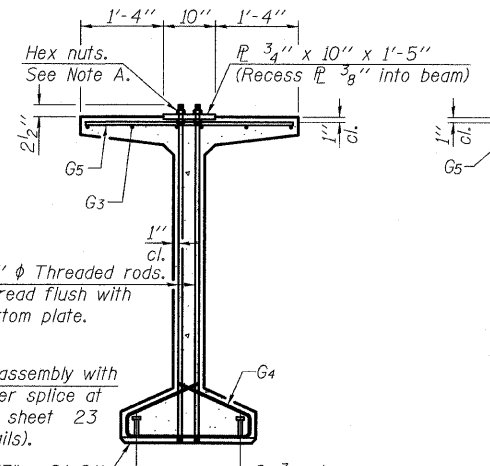
1" I.D. formed holes with PVC pipe cast at right angles to web. Locate to miss strands. See Framing Plan and Permanent Bracing Plan Detail on sheet 20 of 39 for details.



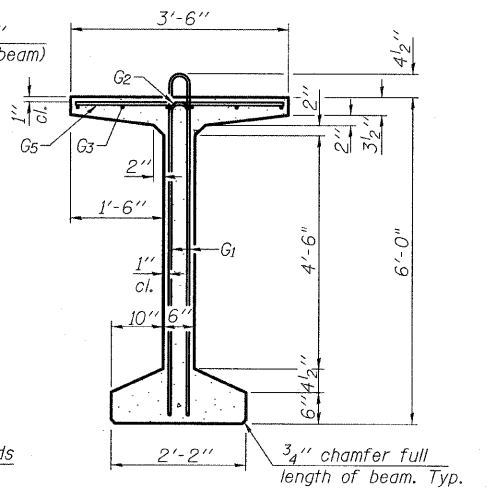
ELEVATION OF BEAM
(Showing prestressing steel)

Inserts for scupper pipe clamps. Beam 7 only, locate to miss strands. See sheet 11 of 39 for scupper locations.

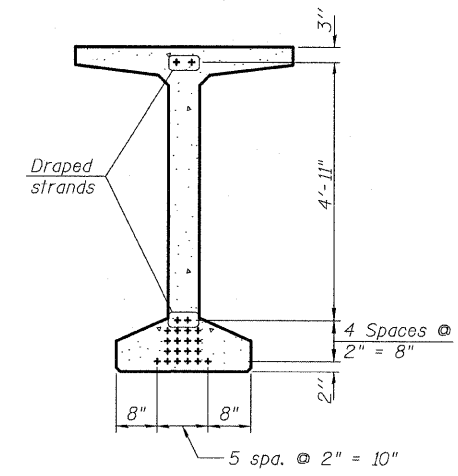
Note A:
Hex nuts (top and bottom) with lock washers (top). Only tighten sufficiently to compress lock washers.



SECTION A-A



SECTION B-B



SECTION C-C

*****BAR LIST
ONE BEAM ONLY**

Bar	No.	Size	Length	Shape
G ₁	37	#4	13'-5"	NL
G ₂	20	#4	11'-8"	N
G ₃	12	#6	25'-0"	N
G ₄	56	#3	4'-11"	N
G ₅	63	#5	3'-4"	N
G ₆	3	#8	6'-6"	N

***For information only

Notes:
See sheet 23 of 39 for additional details and Bill of Material.
Required release strength, f'ci, shall be 5,000 psi.

DESIGNED	IM
CHECKED	PDF
DRAWN	IM
CHECKED	PDF

**72" PPC BULB T-BEAM SPANS 1 & 3
STRUCTURE NO. 006-0174 (EB)
STRUCTURE NO. 006-0175 (WB)**

SHEET NO. 21 39 SHEETS	F.A. RTE. 80	SECTION *	COUNTY BUREAU	TOTAL SHEETS 344	SHEET NO. 219
	CONTRACT NO. 66908				
FED. ROAD DIST. NO.		ILLINOIS FED. AID PROJECT			

TYLINT INTERNATIONAL