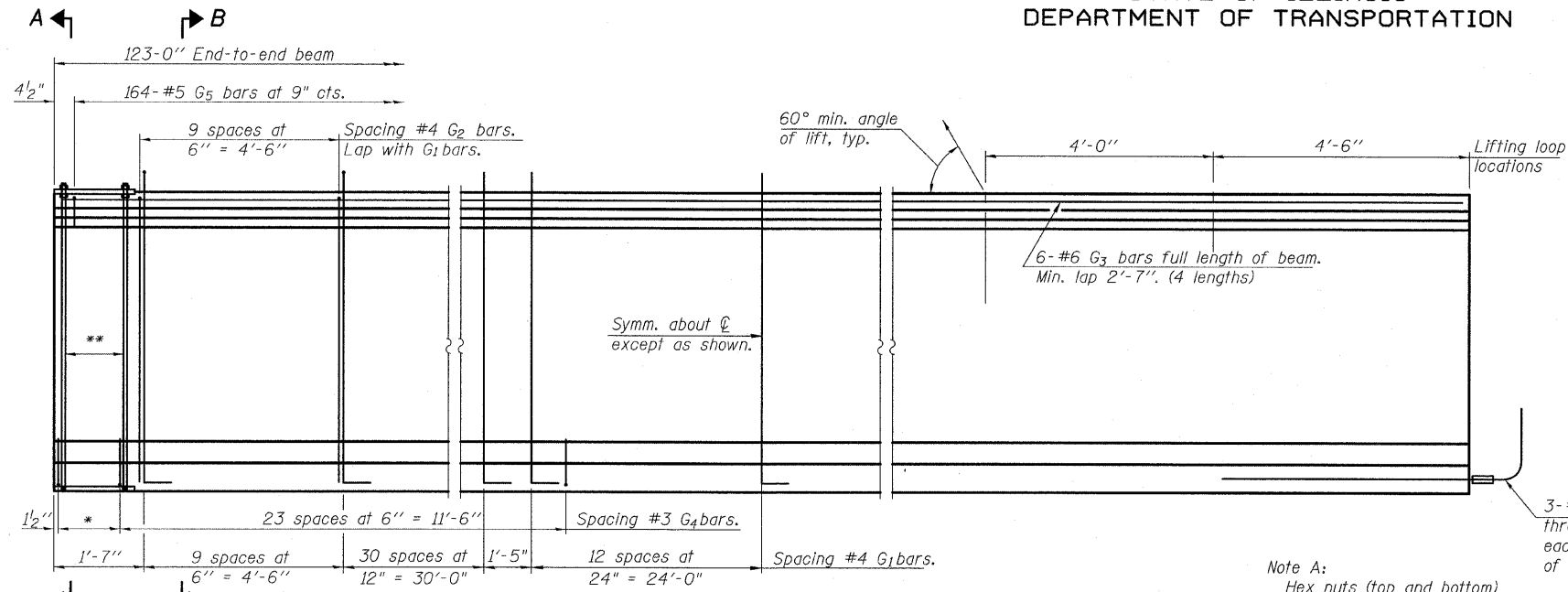


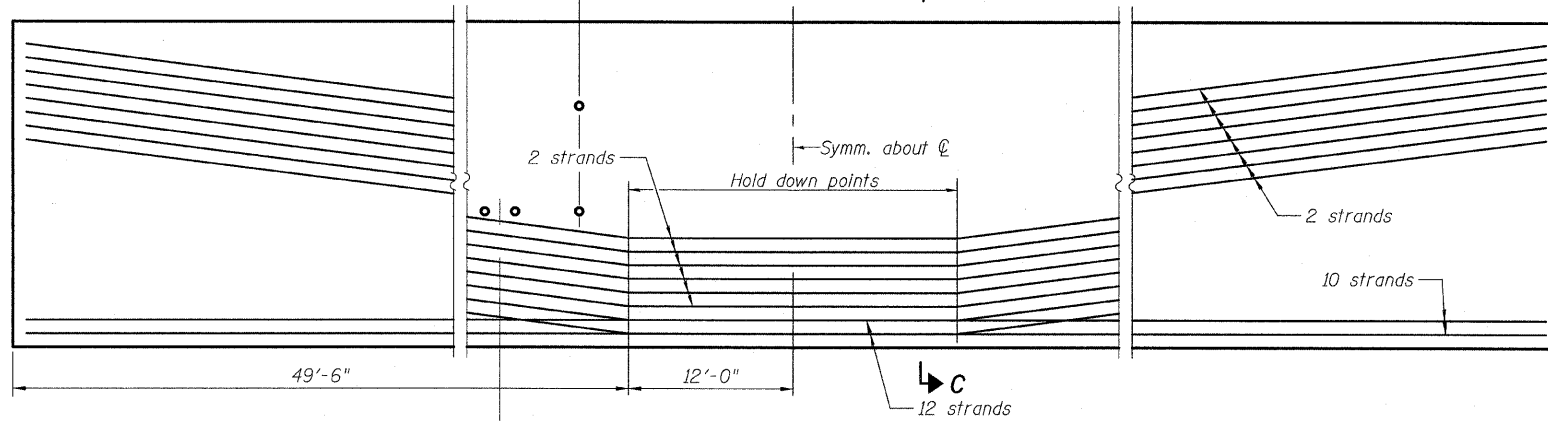
STATE OF ILLINOIS
DEPARTMENT OF TRANSPORTATION



ELEVATION OF BEAM
(Showing reinforcement & dimensions)

* 4 spaces at 3 1/4" = 1'-1".
** 5- 3/4" φ threaded dowel rods at 3 1/4" cts., each face.

1" I.D. formed holes with PVC pipe cast at right angles to web. Locate to miss strands. See Framing Plan and Permanent Bracing Plan Detail on sheet 20 of 39 for details.



ELEVATION OF BEAM
(Showing prestressing steel)

Inserts for scupper pipe clamps. Beam 7 only, locate to miss strands. See sheet 11 of 39 for scupper locations.

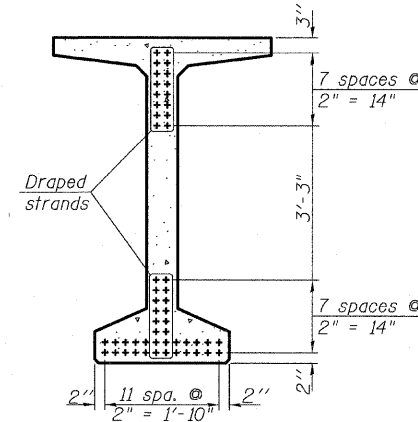
Note A:
Hex nuts (top and bottom) with lock washers (top). Only tighten sufficiently to compress lock washers.

3- #8 G6 bar assembly with threaded coupler splice at each end. (See sheet 23 of 39 for details).

3/4" φ Threaded rods. Thread flush with bottom plate.
3/4" φ Studs automatically end welded. (Space to miss strands).

SECTION A-A

SECTION B-B



SECTION C-C

*****BAR LIST
ONE BEAM ONLY**

Bar	No.	Size	Length	Shape
G1	105	#4	13'-5"	∩L
G2	20	#4	11'-8"	∩
G3	24	#6	33'-4"	—
G4	56	#3	4'-11"	∩
G5	164	#5	3'-4"	—
G6	6	#8	6'-6"	U

***For information only

Notes:
See sheet 23 of 39 for additional details and Bill of Material.
Required release strength, f'ci, shall be 5,000 psi.

DESIGNED	IM
CHECKED	PDF
DRAWN	IM
CHECKED	PDF

**72" PPC BULB T-BEAM SPAN 2
STRUCTURE NO. 006-0174 (EB)
STRUCTURE NO. 006-0175 (WB)**

SHEET NO. 22	F.A. RTE.	SECTION	COUNTY	TOTAL SHEETS	SHEET NO.
	80	*	BUREAU	324	220
39 SHEETS	FED. ROAD DIST. NO.		ILLINOIS FED. AID PROJECT		CONTRACT NO. 66908

TYLINT INTERNATIONAL