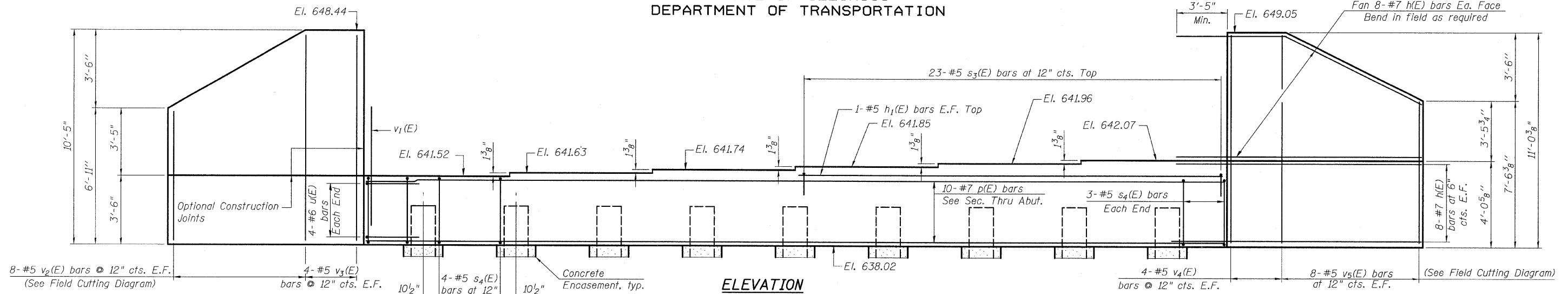


STATE OF ILLINOIS  
DEPARTMENT OF TRANSPORTATION



**PILE DATA**

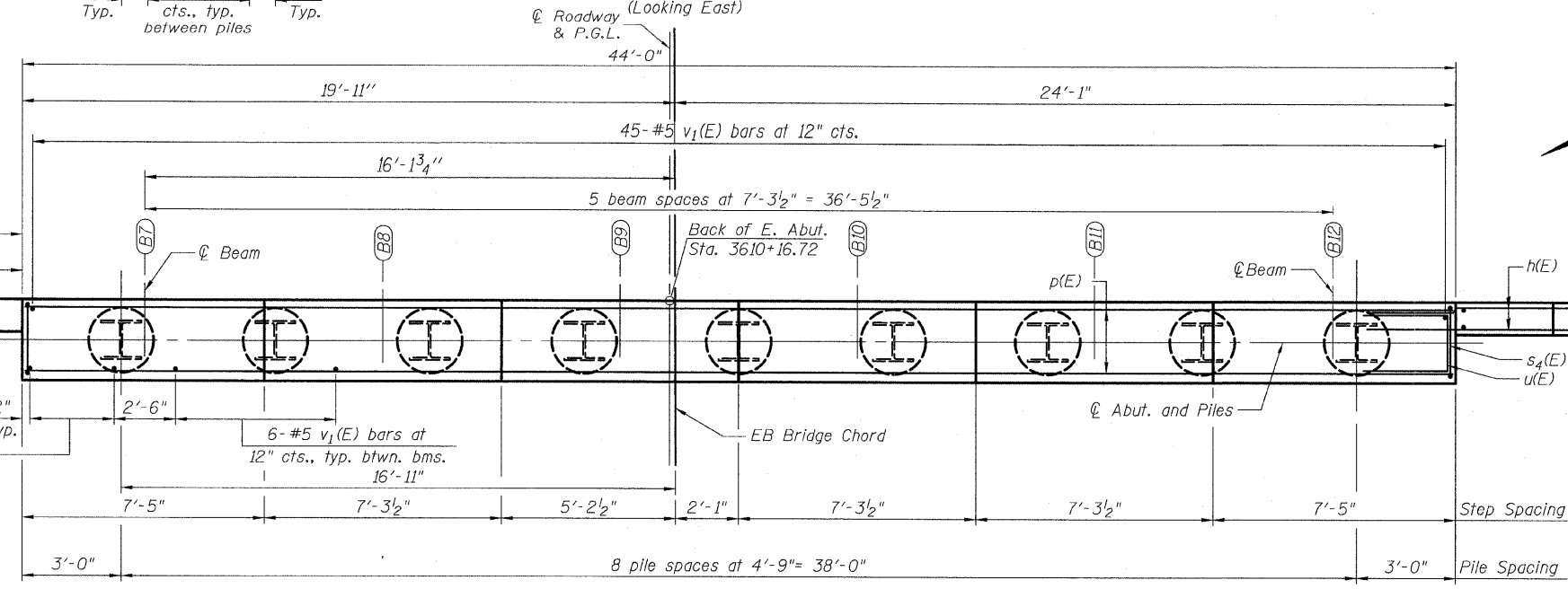
Type:	Steel HP14x73
Nominal Required Bearing:	270 kips
Allowable Resistance Available:	90 kips
Est. Length:	36'
No. Production Piles:	8 Piles
No. Test Piles:	1 Pile

**LAP SPLICES**

Bar	Lap
#4	1'-8"
#5	2'-2"
#6	2'-7"
#7	3'-5"
#8	4'-6"

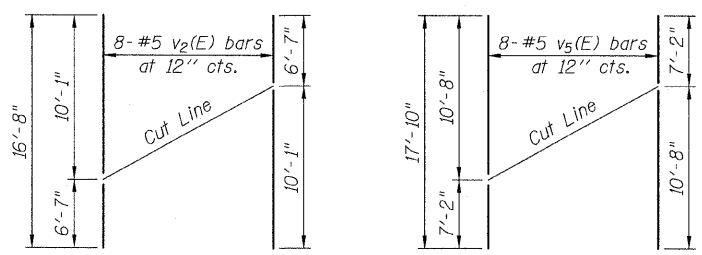
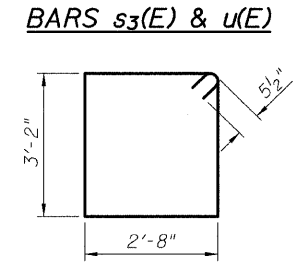
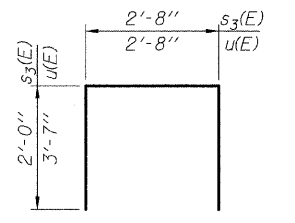
**NOTES:**

1. Pour steps monolithically with cap.
2. For details of piles and Concrete Encasement, see sheet 33 of 39.



**LEGEND**

E.F. - Denotes Each Face.



**FIELD CUTTING DIAGRAMS**

Order bars full length. Cut as shown and use remainder of bars in opposite face.

**BILL OF MATERIAL**

Bar	No.	Size	Length	Shape
h(E)	64	#7	13'-3"	—
h1(E)	2	#5	21'-8"	—
p(E)	10	#7	43'-8"	—
s3(E)	23	#5	6'-8"	□
s4(E)	38	#5	12'-7"	□
u(E)	8	#6	9'-10"	□
v1(E)	81	#5	4'-4"	—
v2(E)	8	#5	16'-8"	—
v3(E)	8	#5	10'-1"	—
v4(E)	8	#5	10'-8"	—

**BILL OF MATERIAL**

Bar	No.	Size	Length	Shape
v5(E)	8	#5	17'-10"	—
Structure Excavation		CU YD	78	
Concrete Structures		CU YD	25.4	
Reinforcement Bars, Epoxy Coated		POUND	4280	
Furnishing Steel Pile, HP14x73		FOOT	288	
Driving Piles		FOOT	288	
Test Pile Steel, HP14x73		EACH	1	
Concrete Encasement		CU YD	5.0	

**EAST ABUTMENT  
STRUCTURE NO. 006-0174 (EB)**

DESIGNED	IM/AD
CHECKED	PDF
DRAWN	IM
CHECKED	PDF

SHEET NO. 24	F.A. RTE. 80	SECTION *	COUNTY BUREAU	TOTAL SHEETS 324	SHEET NO. 222
39 SHEETS	FED. ROAD DIST. NO. ILLINOIS FED. AID PROJECT		CONTRACT NO. 66908		

TYLIN INTERNATIONAL