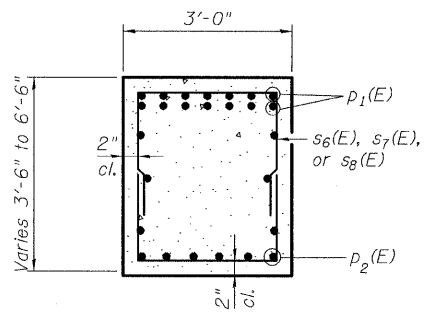
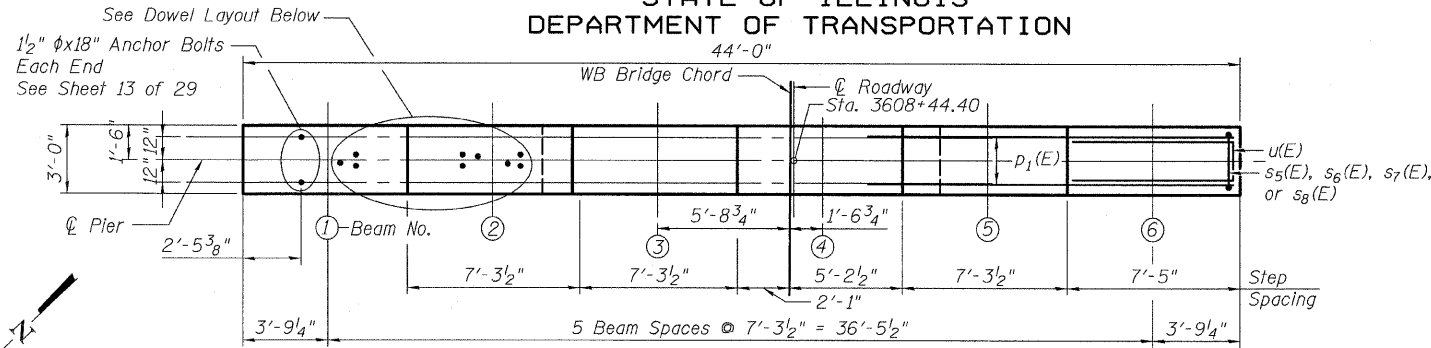


STATE OF ILLINOIS  
DEPARTMENT OF TRANSPORTATION

**BILL OF MATERIAL**

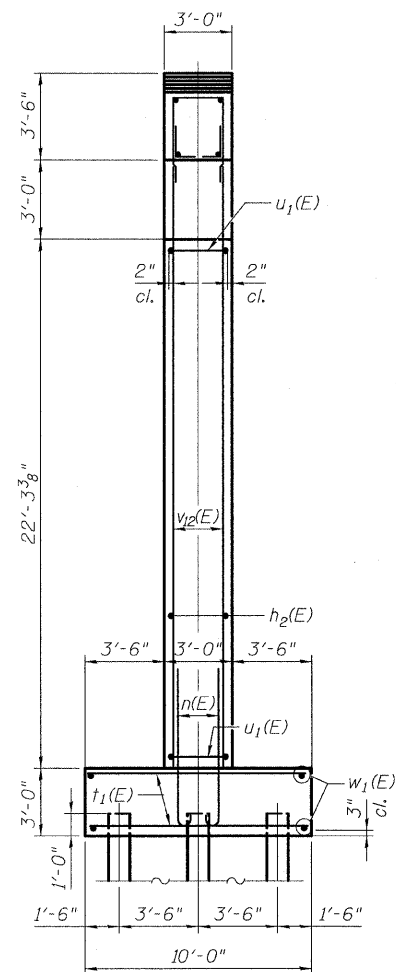


**SECTION A-A**

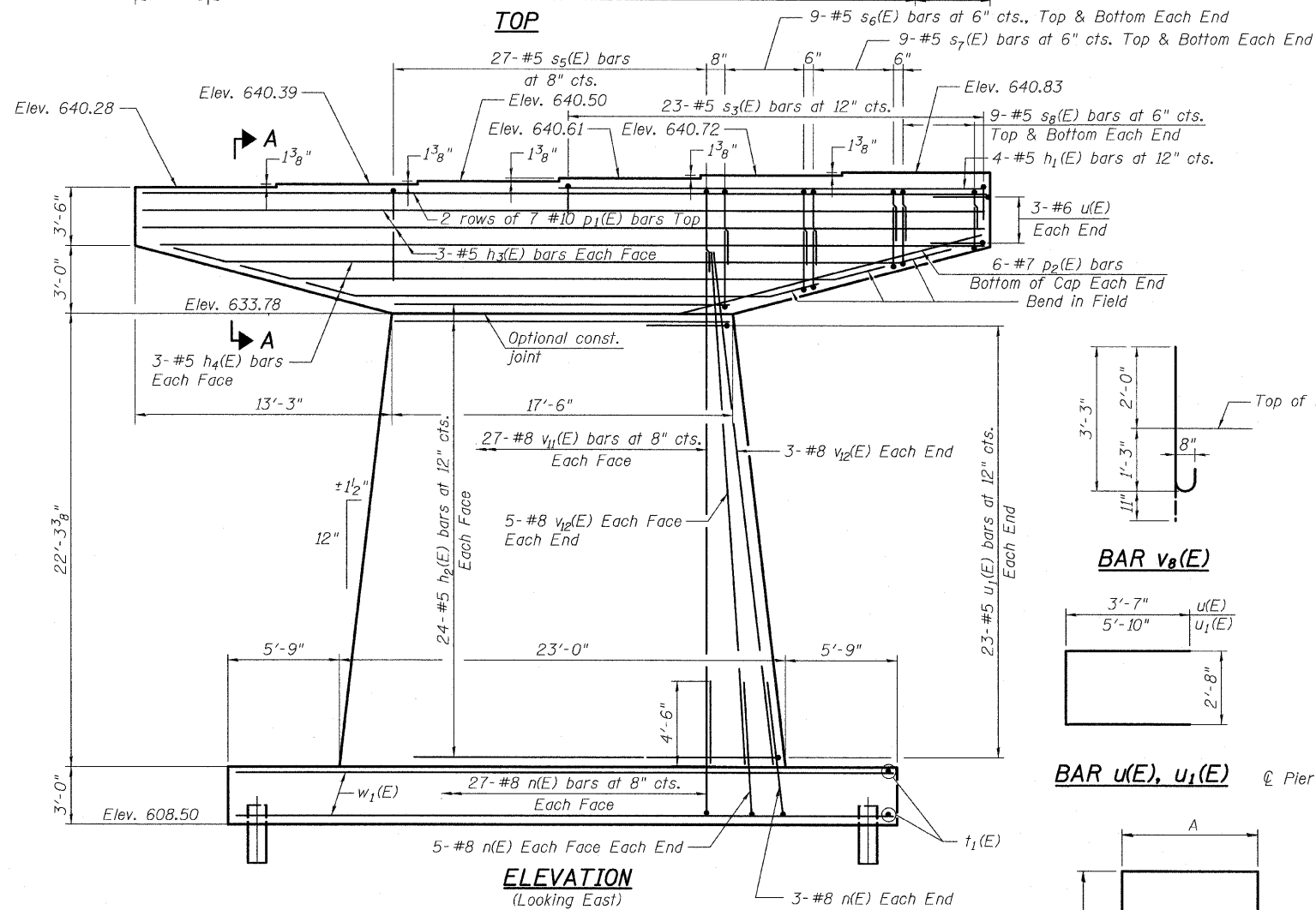


**TOP**

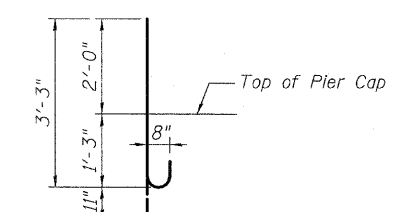
**BAR n(E)**



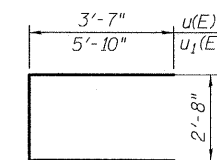
**END VIEW**



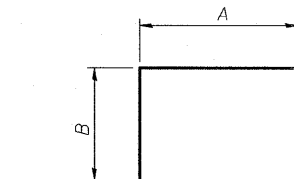
**ELEVATION**  
(Looking East)



**BAR v8(E)**



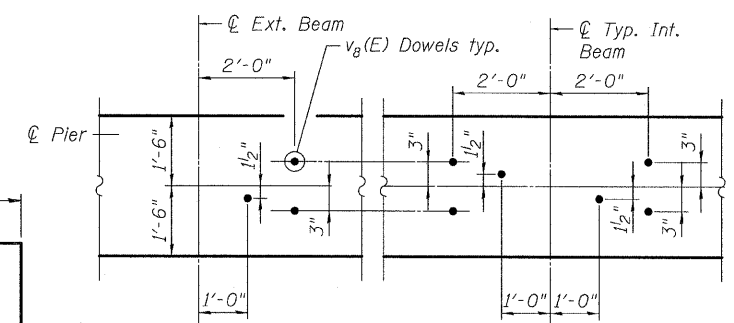
**BAR u(E), u1(E)**



**BARS s3(E), s5(E) THRU s8(E)**

**A & B DIMENSIONS**

Bar	A	B
s3(E)	2'-8"	2'-0"
s5(E)	2'-8"	4'-6"
s6(E)	2'-8"	4'-2"
s7(E)	2'-8"	3'-8"
s8(E)	2'-8"	3'-2"



**DOWEL LAYOUT**

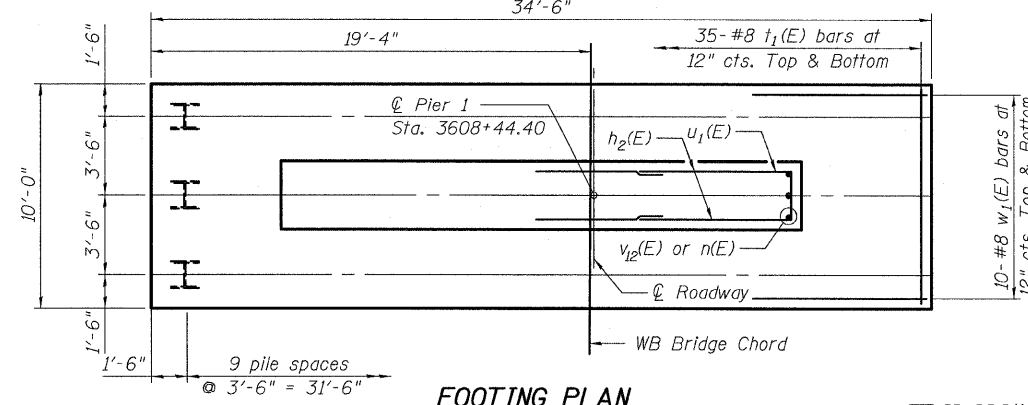
**NOTES:**

1. Space reinforcement in cap to miss anchor bolts.
2. Pour steps monolithically with cap.
3. For details of piles, see sheet 32 of 39.

**PILE DATA**

Type: HP 14X73  
Nominal Required Bearing: 270 kips  
Allowable Resistance Available: 90 kips  
Est. Length: 48'  
No. Production Piles: 29 Piles  
No. Test Piles: 1 Pile

DESIGNED AD
CHECKED PDF
DRAWN IM
CHECKED PDF



**FOOTING PLAN**

**PIER 1**  
**STRUCTURE NO. 006-0175 (WB)**

SHEET NO. 30	F.A. RTE. 80	SECTION *	COUNTY BUREAU	TOTAL SHEETS 34	SHEET NO. 228
39 SHEETS	FED. ROAD DIST. NO. ILLINOIS FED. AID PROJECT		CONTRACT NO. 66908		

TYLIN INTERNATIONAL