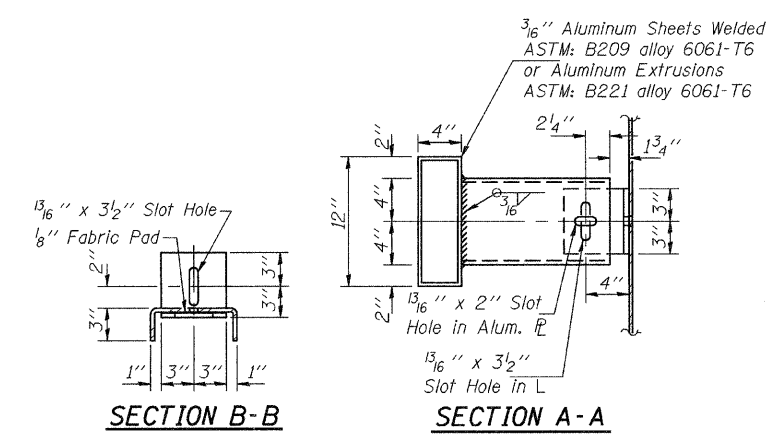
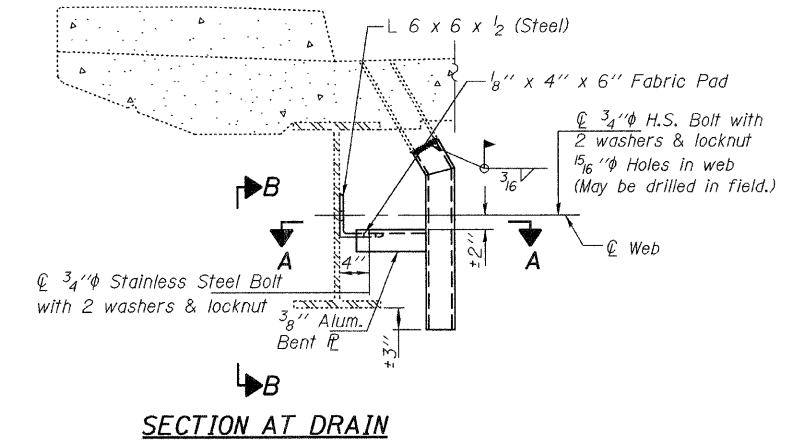


DRAIN ELIMINATION DETAIL



DRAIN EXTENSION DETAIL

FILE NAME =	USER NAME = #USER*	DESIGNED -	REVISED -	STATE OF ILLINOIS DEPARTMENT OF TRANSPORTATION	BRIDGE REPAIR PLANS SN 006-0129	F.A. RTE.	SECTION	COUNTY	TOTAL SHEETS	SHEET NO.	
#FILE#		DRAWN -	REVISED -			I-80	**	BUREAU	344	245	
	PLOT SCALE = #SCALE*	CHECKED -	REVISED -			CONTRACT NO. 66908					
	PLOT DATE = #DATE*	DATE -	REVISED -			ILLINOIS FED. AID PROJECT					
				SCALE:	SHEET NO. OF SHEETS	STA. TO STA.					

**06-T7BR&BR-1,7VB-M,6BR&6,7 RS-1 &I