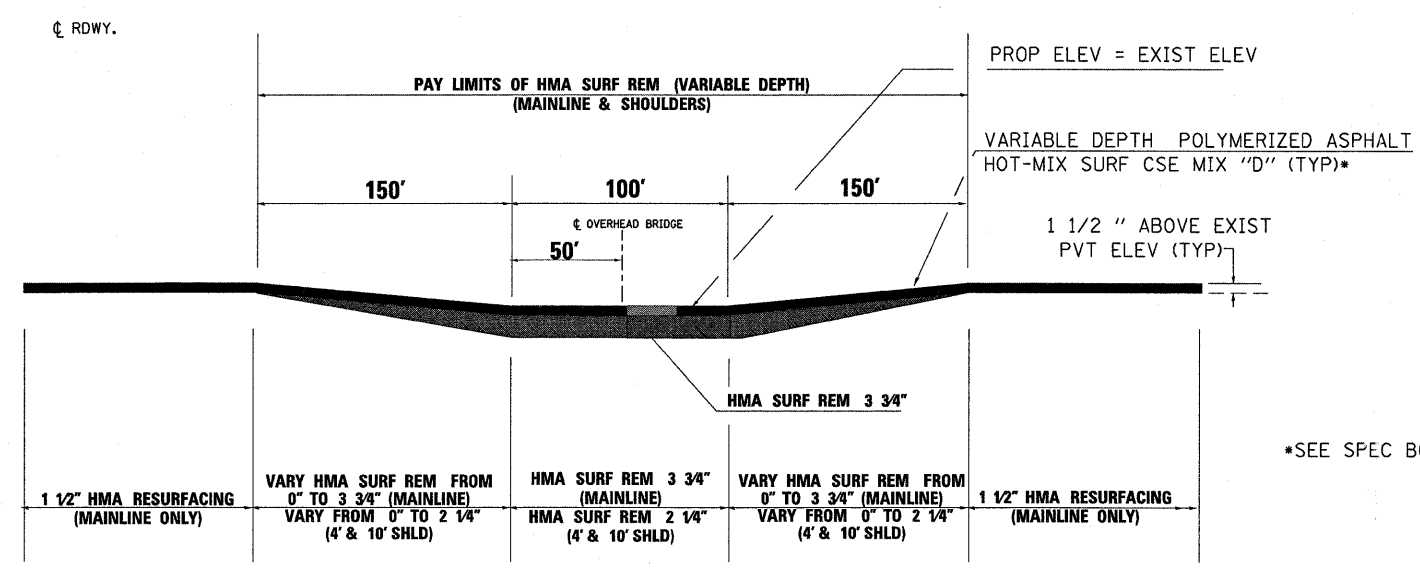


PCC SURF REMOVAL-BUTT JOINT



*SEE SPEC BOOK FOR MAXIMUM LIFT THICKNESSES

TREATMENT UNDER STRUCTURES TO MAINTAIN A MINIMUM OF 16'-0" CLEARANCE

FOR S.N.'S 006-0127 (EB & WB), SN 006-0133 (EB ONLY), SN 006-0129 (EB & WB), AND SN 006-0132 (EB ONLY)
 ALL OTHER STRUCTURES OVERLAY THE SAME AS THE REST OF THE MAINLINE
 (R.E. TO VERIFY CLEARANCES OF ALL BRIDGES PRIOR TO CONSTRUCTION)

**06-[7BR&BR-1,7VB-M,6BR&6.7 RS-1 & 1]