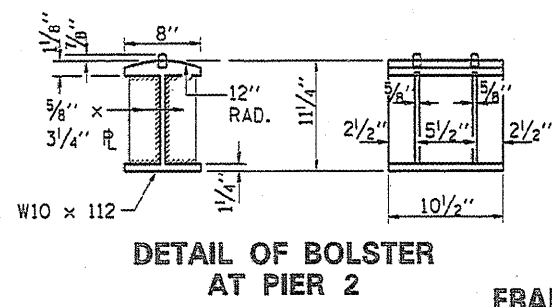
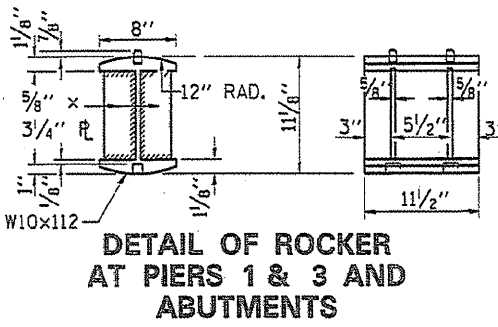
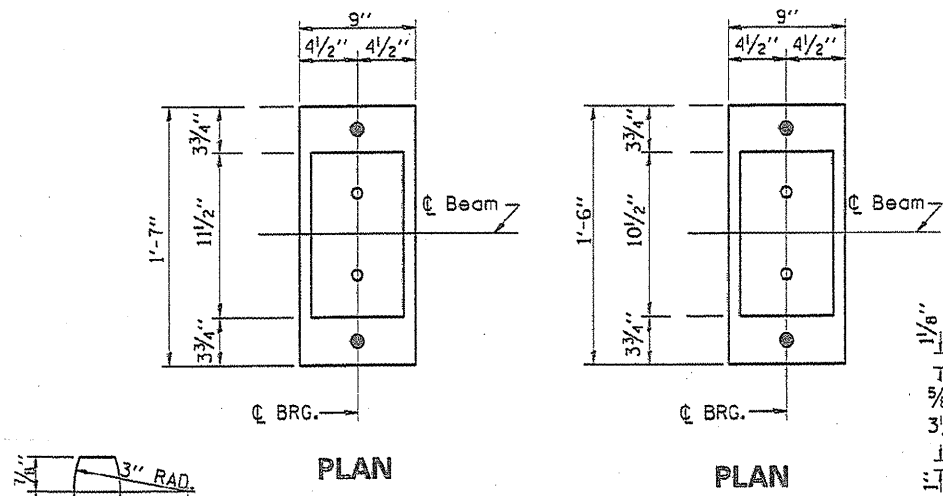
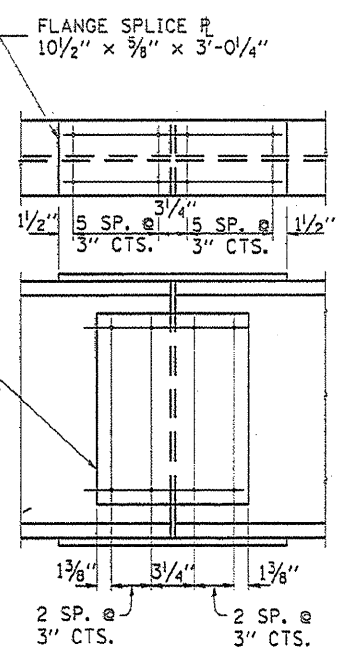
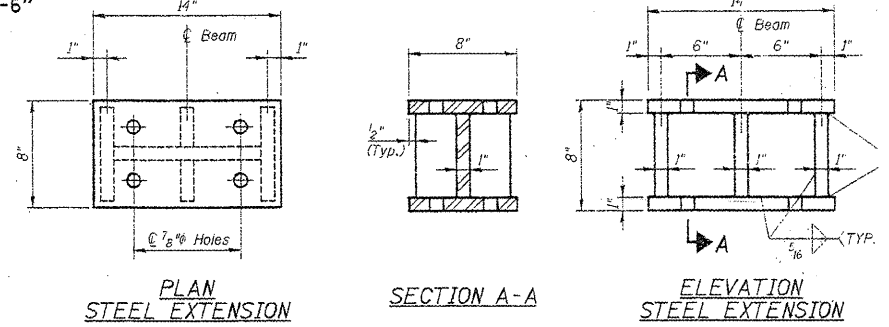
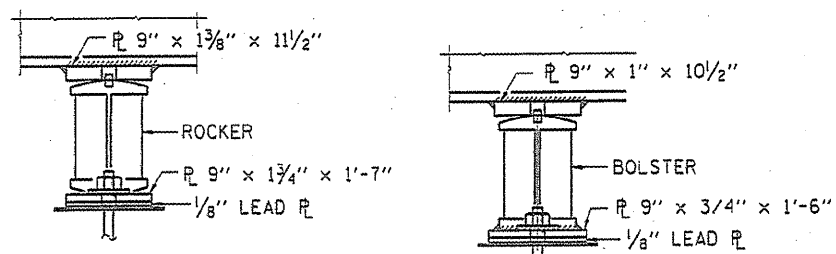
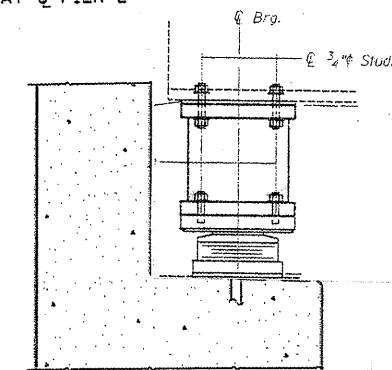
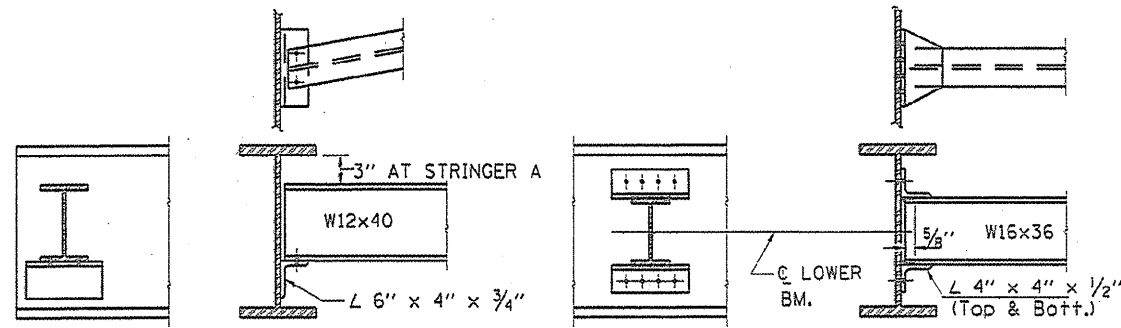
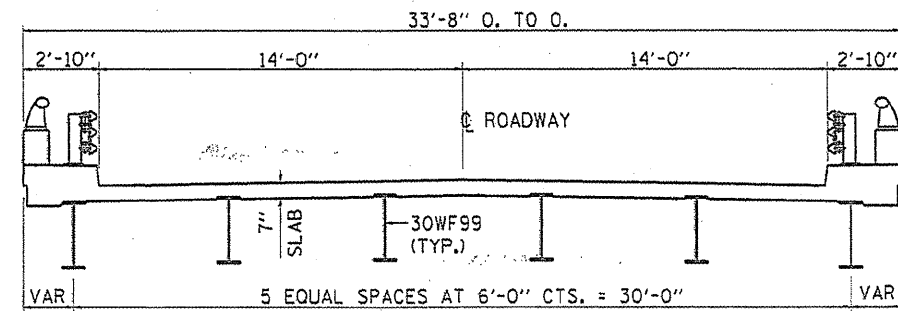
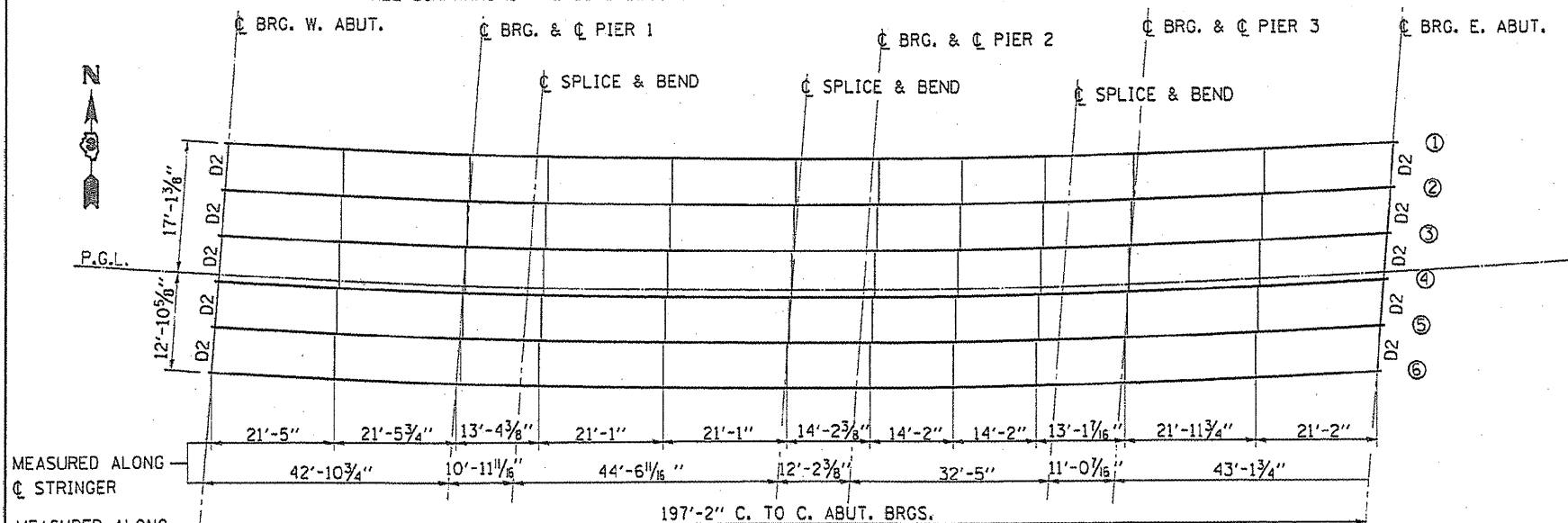


NOTE: ALL STRINGERS ARE 30WF99
ALL DIAPHRAGMS ARE D1 UNLESS OTHERWISE NOTED



FRAMING PLAN AND STEEL DETAILS
FAS 1322 OVER FAI 57
SECTION. (38-1HB)BP
STA. 726 + 94.41
SN 038-0136

FILE NAME =	USER NAME = woodshankr	DESIGNED - RON WOODSHANK	REVISED -	STATE OF ILLINOIS DEPARTMENT OF TRANSPORTATION	EXISTING STRUCTURE PLANS - SN 038-0136 FOR INFORMATION ONLY	F.A.I. RTE. =	SECTION	COUNTY	TOTAL SHEETS	SHEET NO.	
DRW. NO. =	DATE =	DRAWN - RON WOODSHANK	REVISED -			57	(38-1HB)BP & (38-1HB-1)BP	IROQUOIS	13	11	
PLOT SCALE = 1/8" = 1'-0"	CHECKED -	DATE =	REVISED -			CONTRACT NO. 66978					
PLOT DATE = Aug 25, 2009 - 08:41:15 AM	DATE =	REVISED -	ILLINOIS								