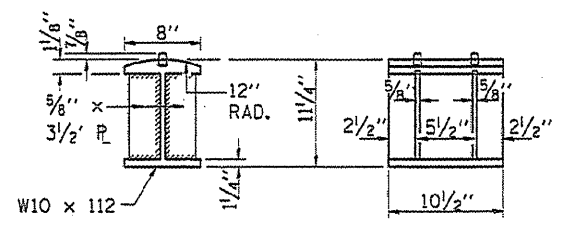
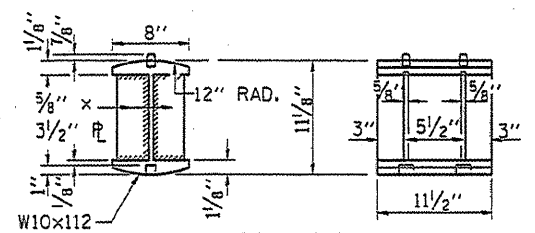
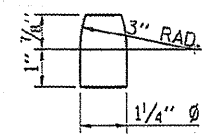
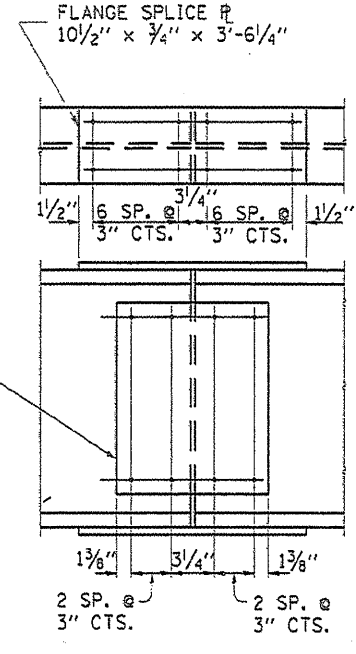


STEEL EXTENSION DETAILS

WEB SPLICE \bar{r} 18" x 3/8" x 2'-2 3/4" EACH SIDE



FRAMING PLAN AND STEEL DETAILS
 CH 29 OVER FAI 57
 SECTION. (38-1HB-1)BP
 STA. 885 + 40.80
 SN 038-0088

FILE NAME =	USER NAME = woodshankr.	DESIGNED - RON WOODSHANK	REVISED -
ca:\new\work\PIR\DOT\WOODSHANKR\01038031	038978_details.dgn	DRAWN - RON WOODSHANK	REVISED -
	PLOT SCALE = 1/8" = 1' IN.	CHECKED -	REVISED -
	PLOT DATE = Aug 25, 2009 - 08:54:28 AM	DATE -	REVISED -

STATE OF ILLINOIS
 DEPARTMENT OF TRANSPORTATION

EXISTING STRUCTURE PLANS - SN 038-0088
 FOR INFORMATION ONLY

F.A.I. RTE.	SECTION	COUNTY	TOTAL SHEETS	SHEET NO.
57	(38-1HB)BP & (38-1HB-1)BP	IROQUOIS	13	13
			CONTRACT NO. 66978	
ILLINOIS				