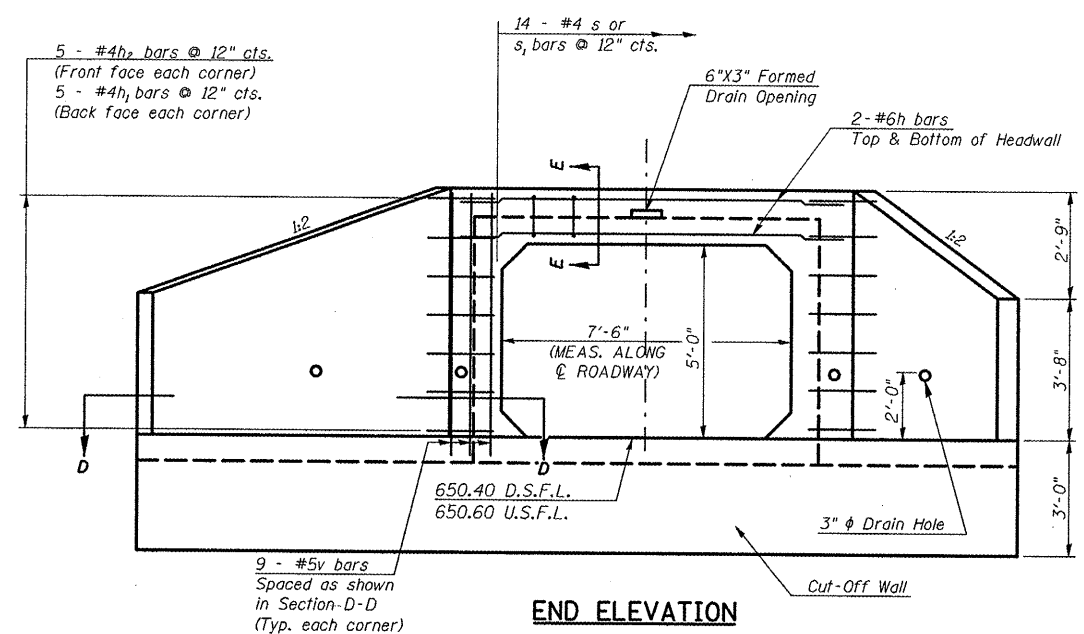
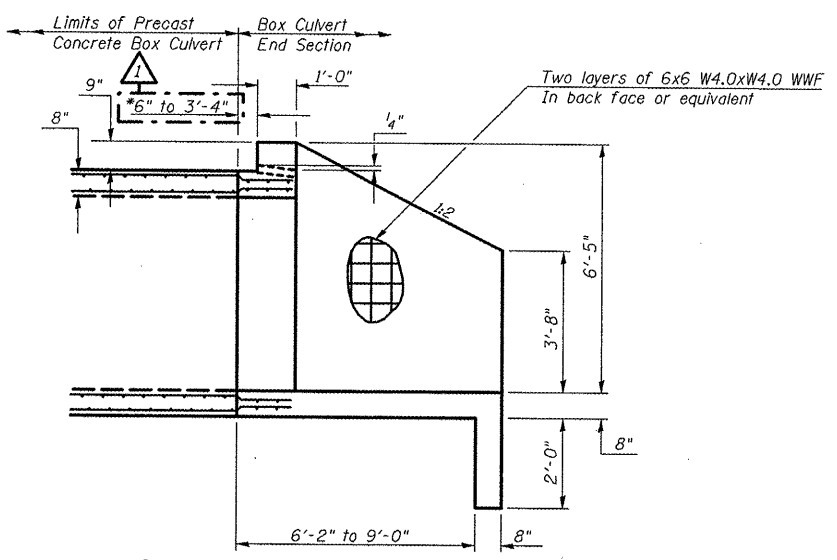


CONTRACT NO. 70623				
F.A.P. RTE.	SECTION	COUNTY	TOTAL SHEETS	SHEET NO.
808			715	234

• (205.57.105)RS-2  
 •• CHAMPAIGN & DOUGLAS

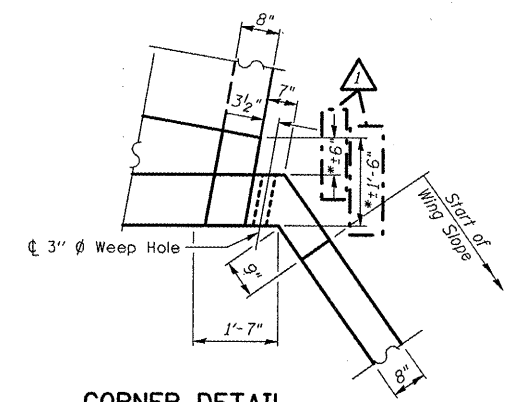


**END ELEVATION**



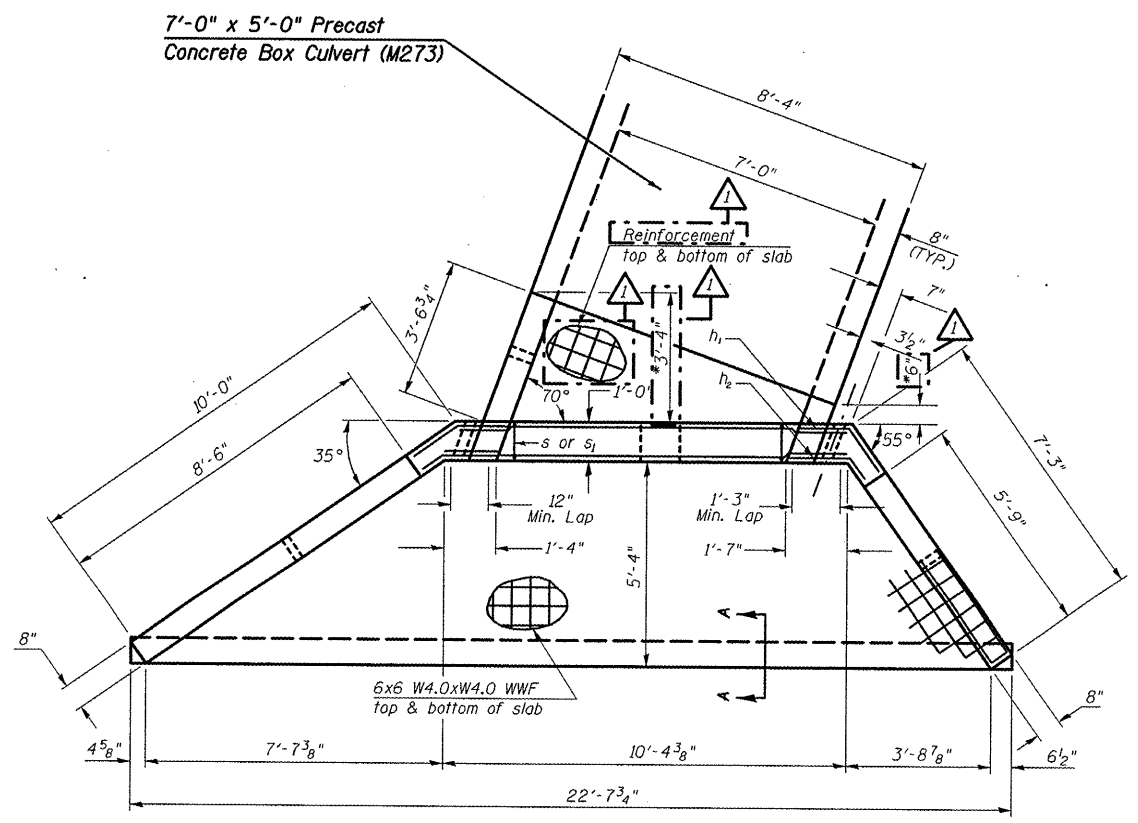
**HALFSIDE ELEVATION**

(DIMENSIONS AT RIGHT ANGLES TO  $\phi$  ROADWAY)

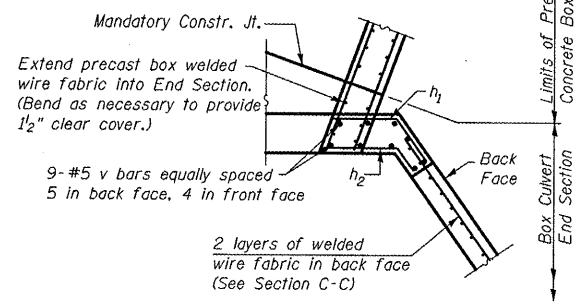


**CORNER DETAIL**

SHORT WING  
(Showing dimensions and weep hole)



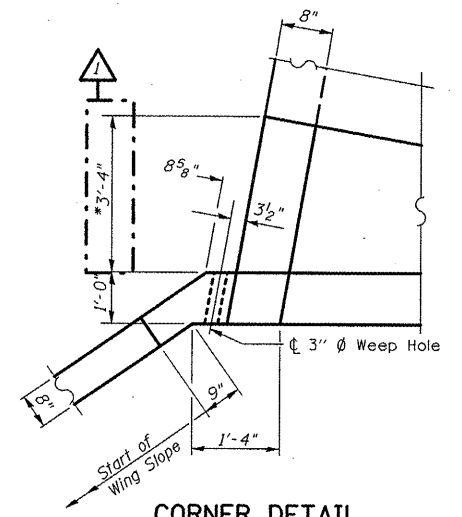
**PLAN**



**SECTION D-D**

SHORT WING  
(Showing reinforcement)

\* Dimensions shall be increased by 3'-0" if the Contractor elects to use the precast option for the Box Culvert End Sections. See Special Provisions.



**CORNER DETAIL**

LONG WING  
(Showing dimensions and weep hole)

SHEET 2 OF 6

**END SECTION DETAILS**  
**SINGLE 7'x5' PRECAST BOX CULVERT**  
**AT SKEW = 20° LT. FWD.**

**F.A.P. ROUTE 808 - SECTION (205.57.105)RS-2**  
**CHAMPAIGN COUNTY**  
**STATION 2013+50.00, S.N. 010-8145**  
**CULVERT NO. 4**

Plot Date = 10/27/2009  
 File Name = a:\work\p\10101\CARROLLT\4818145\70623\Culvert No 4 & B Address.dgn  
 Plot Scale = 1/8" = 1'-0"  
 User Name = carrollt