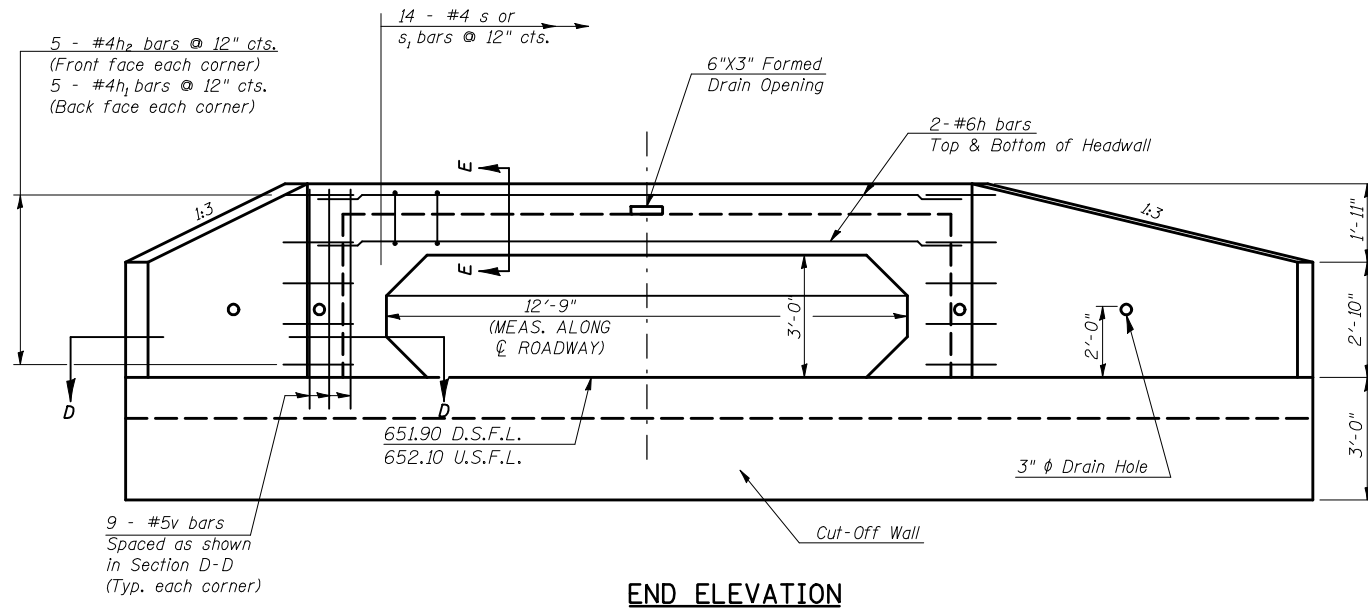
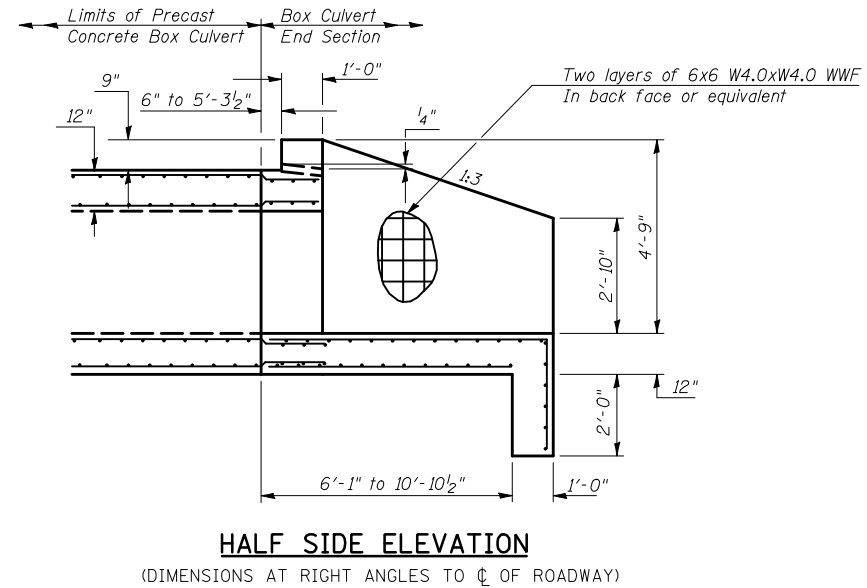


F.A.P. RTE.	SECTION	COUNTY	TOTAL SHEETS	SHEET NO.
808	.	**	715	246

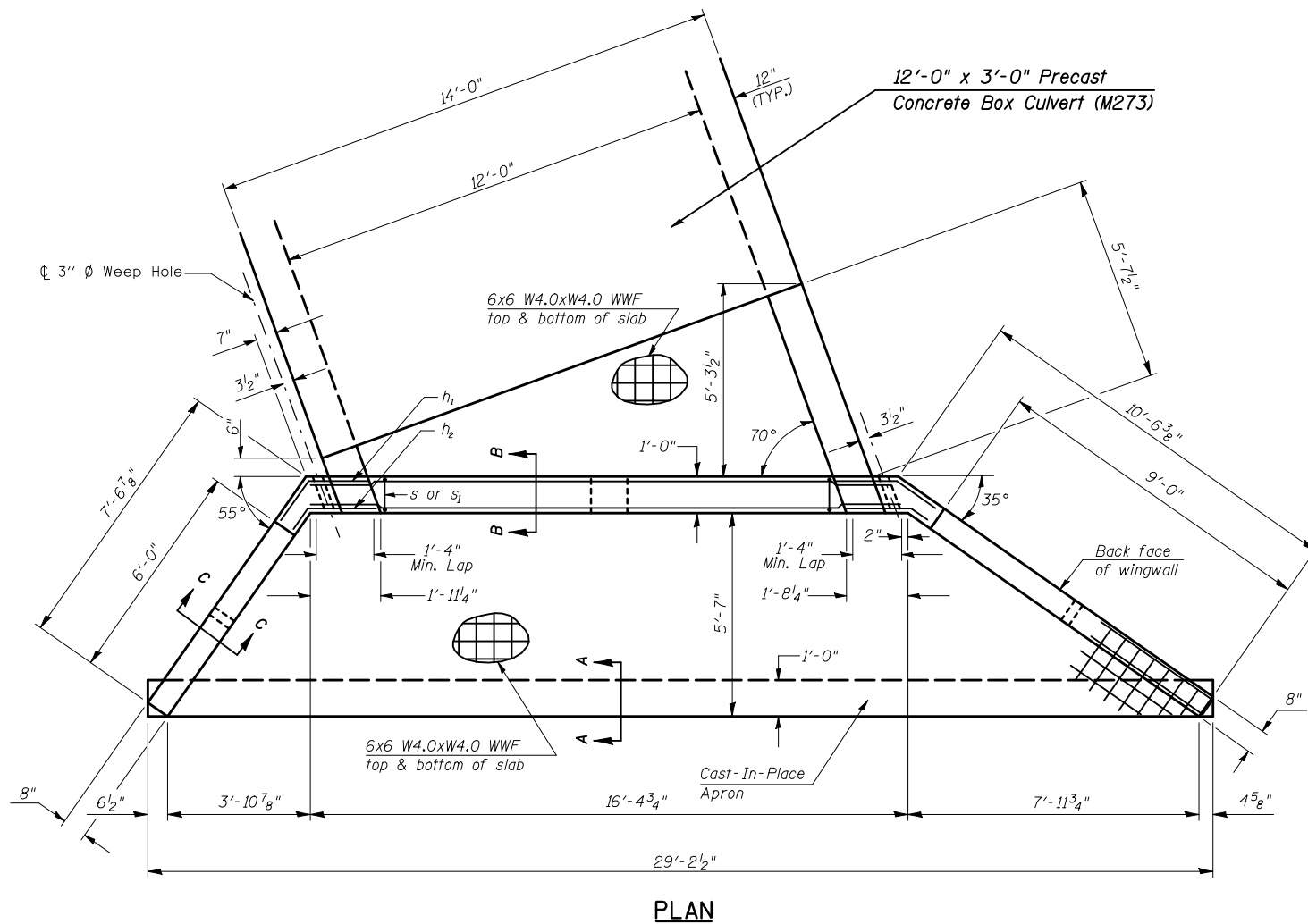
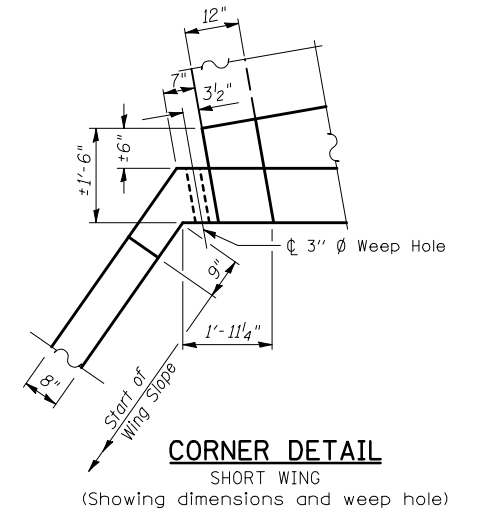
• (205,57,105)RS-2
 ** CHAMPAIGN & DOUGLAS



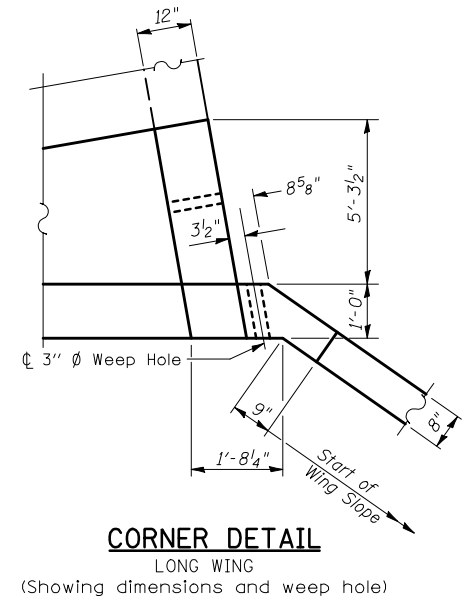
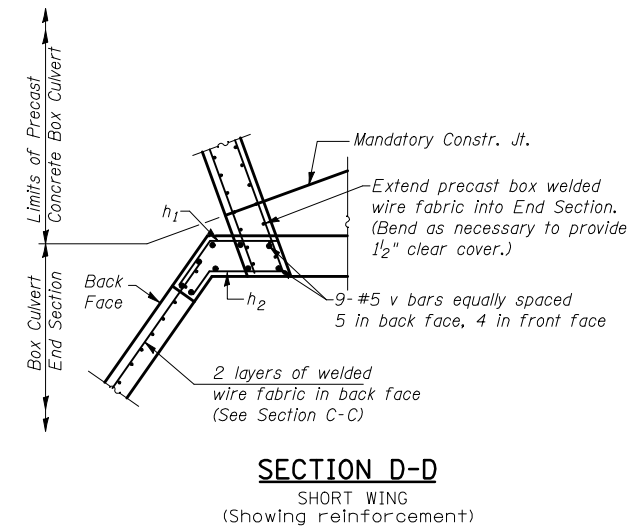
END ELEVATION



HALF SIDE ELEVATION



PLAN



SHEET 2 OF 9

END SECTION DETAILS
SINGLE 12'x3' PRECAST BOX CULVERT
AT SKEW = 20° RT. FWD.
F.A.P. ROUTE 808 - SECTION (205,57,105)RS-2
CHAMPAIGN COUNTY
STATION 2030+82.00, S.N. 010-8143
CULVERT NO. 6