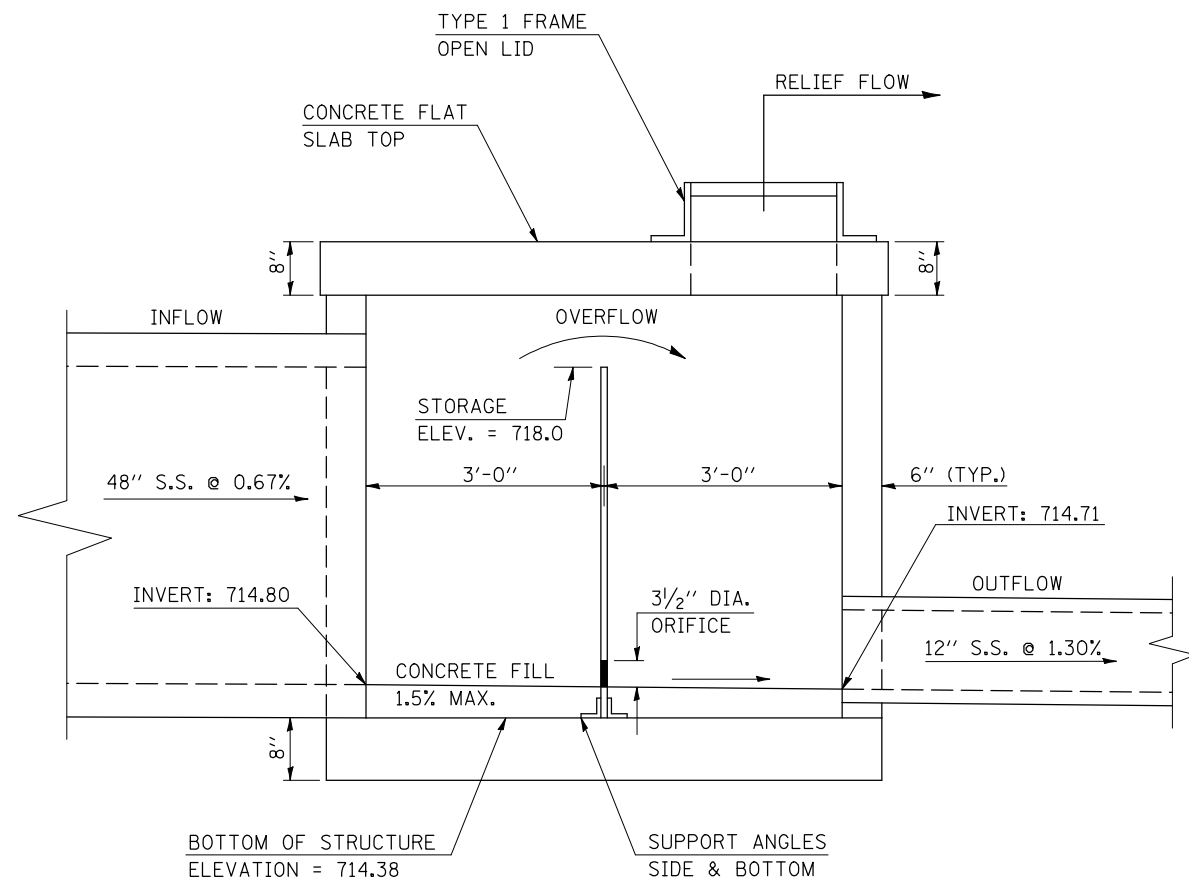


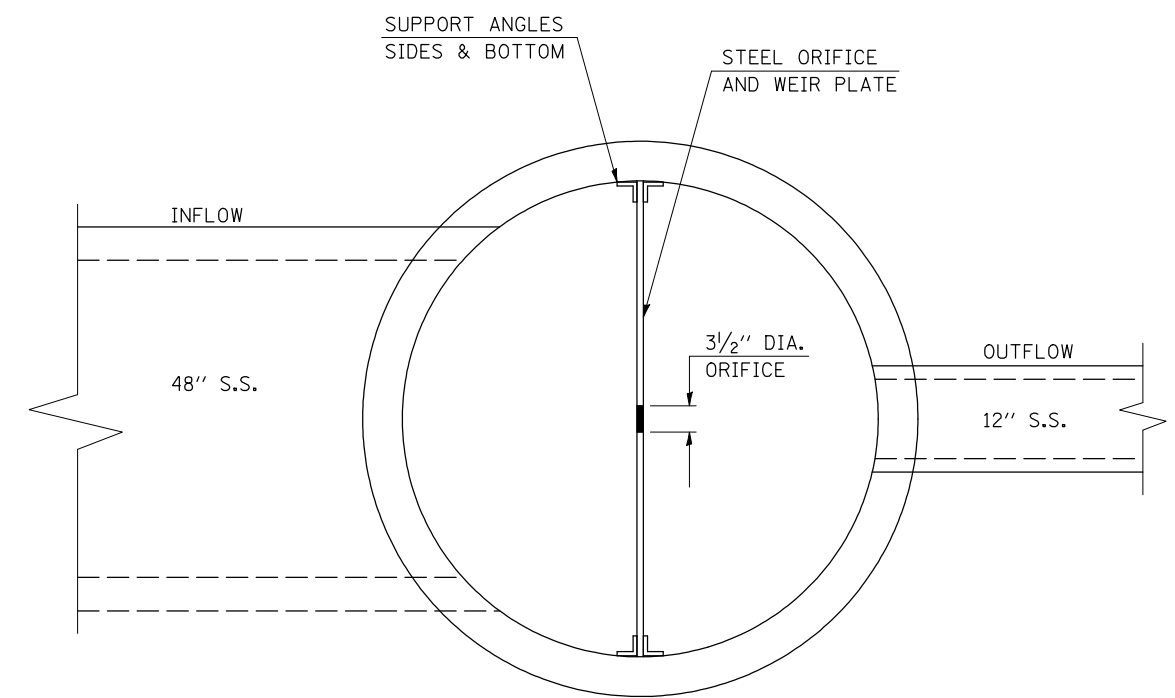
F.A.P. RTE.	SECTION	COUNTY	TOTAL SHEETS	SHEET NO.
808	*	**	715	311
STA.		TO STA.		
FED. ROAD DIST. NO.	ILLINOIS	FED. AID PROJECT		

- (205,57,105)RS-2
- CHAMPAIGN & DOUGLAS

**DETAIL FOR MANHOLE, SPECIAL, 6' DIA.**  
**STATION 2305 + 70.00, 22.0' LT., S.N. 37**



**ELEVATION**  
**STRUCTURE NO. 37**



**PLAN**  
**STRUCTURE NO. 37**

DRAWING NOT TO SCALE

PLOT DATE = 8/14/2009  
 FILE NAME = G:\DWG\WORK\KIPWIDOT\PIERSONBR\0001445\70623-sht-detailed.dgn  
 PLOT TIME = 12:35:23 / IN.  
 USER NAME = pier\_sonbr

ILLINOIS DEPARTMENT OF TRANSPORTATION  
**DETAIL FOR MANHOLE, SPECIAL, 6' DIA.**  
**STATION 2305+70.00, 22.0' LT., S.N. 37**

SCALE: NOT TO SCALE  
 DATE: 08/14/09

DRAWN BY: B.B.P.  
 CHECKED BY: G.A.E.