

F.A.P. RTE.	SECTION	COUNTY	TOTAL SHEETS	SHEET NO.
808	*	**	715	506
STA. 2040+00.00		TO STA. 2041+00.00		
FED. ROAD DIST. NO.		ILLINOIS FED. AID PROJECT		
* (205) 57, 105 RS-2				
** CHAMPAIGN & DOUGLAS				

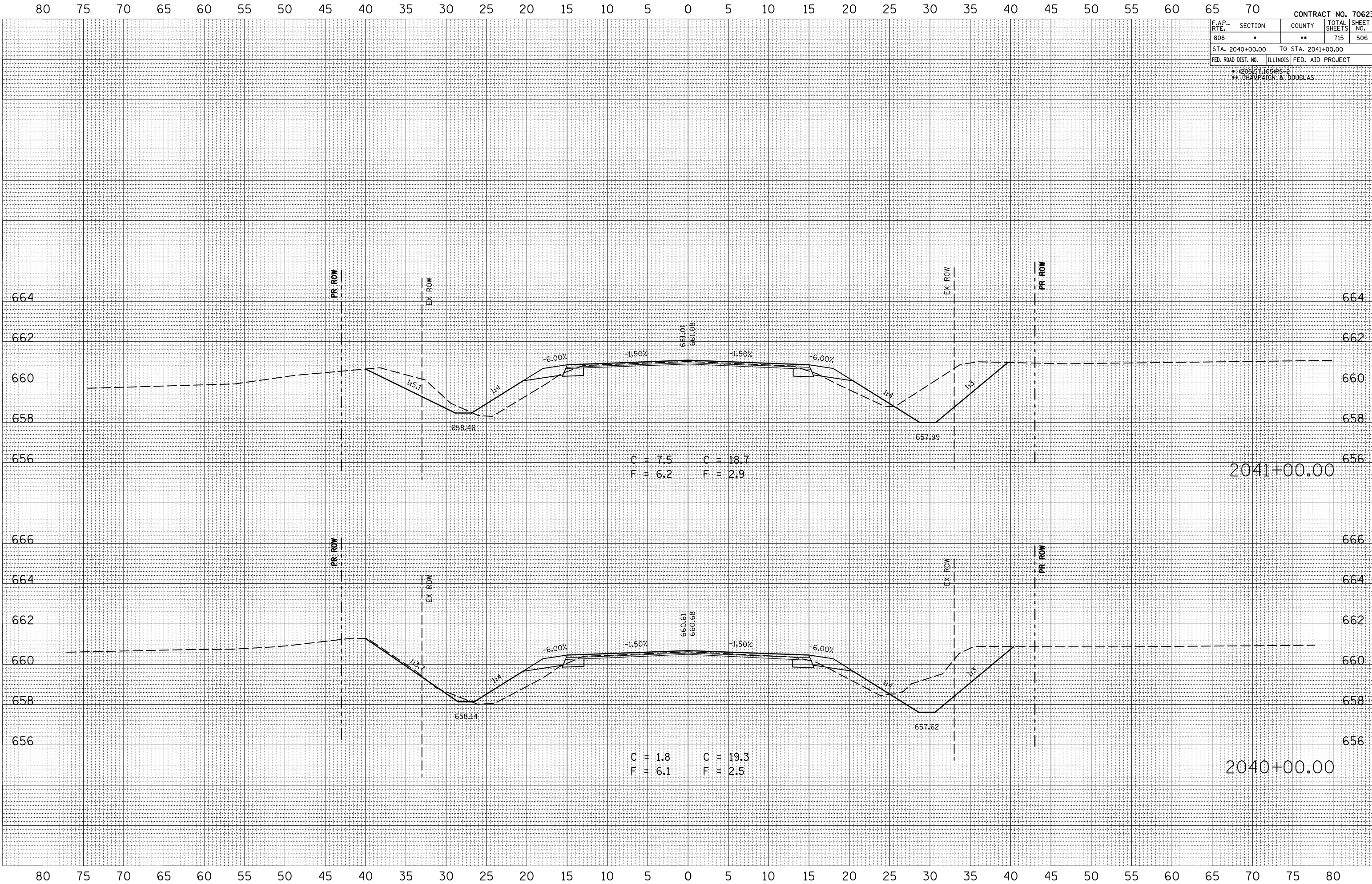
BY	DATE

NO.	AREAS CHECKED

BY	DATE

NO.	AREAS CHECKED

PLOT DATE = 8/2/2009
 FILE NAME = I:\10562\10562.dgn
 PLOT SCALE = 1/8" = 1' IN.
 USER NAME = craigr

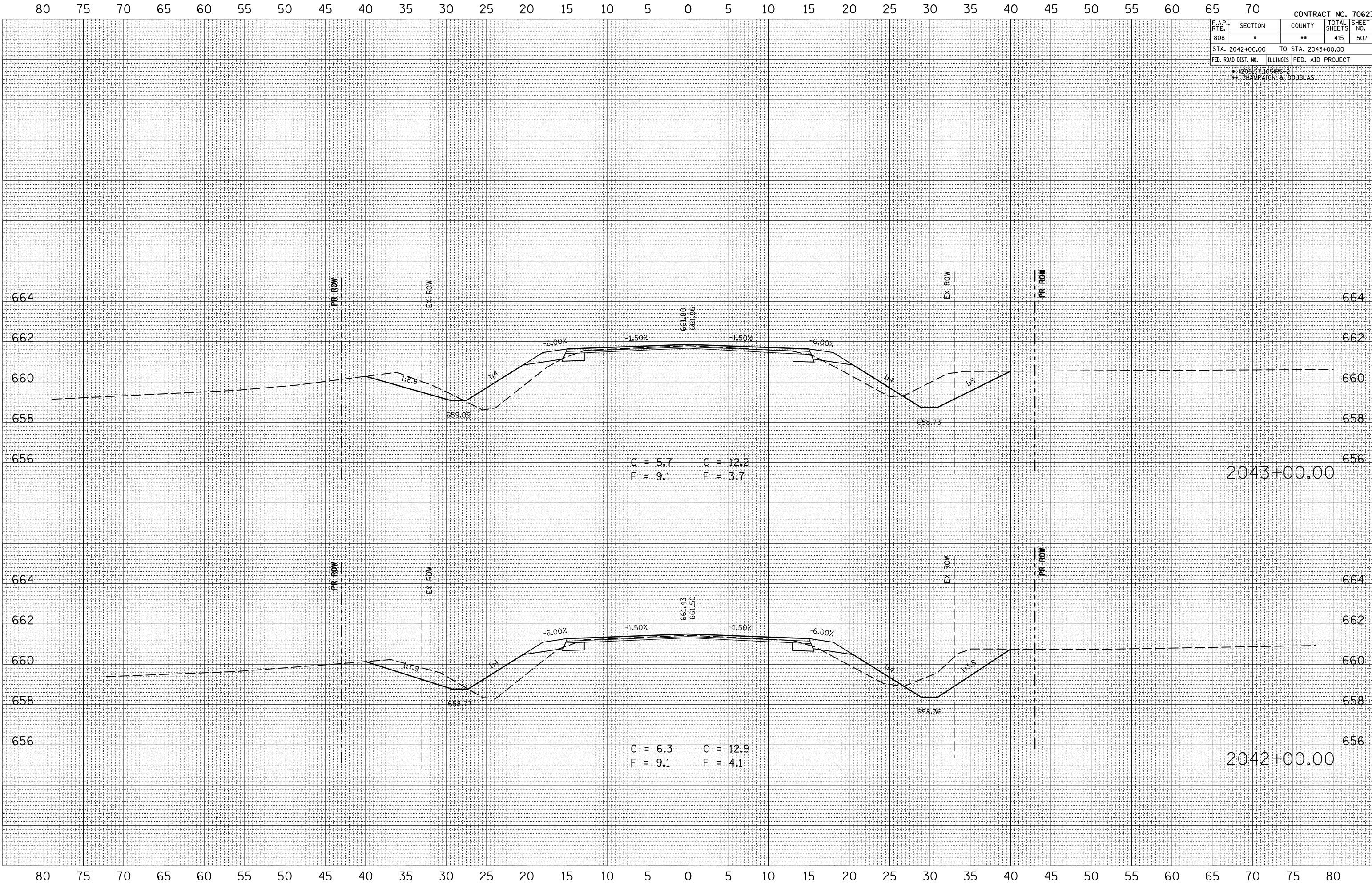


F.A.P. RTE.	SECTION	COUNTY	TOTAL SHEETS	SHEET NO.
808	*	**	415	507
STA. 2042+00.00		TO STA. 2043+00.00		
FED. ROAD DIST. NO.	ILLINOIS	FED. AID PROJECT		
* (205) 57, 105 RS-2 ** CHAMPAIGN & DOUGLAS				

BY	DATE
FINAL SURVEY	SURVEYED
NOTE BOOK	PLOTTED
AREAS CHECKED	NO.

BY	DATE
ORIGINAL SURVEY	SURVEYED
FILE NAME	PLOTTED
PLLOT SCALE	AREAS CHECKED
USER NAME	NO.

PLOT DATE = 8/2/2009
 FILE NAME = \\P1001\DATA\CHAMPAIGN\CHAMPAIGN\808\808.dwg
 PLOT SCALE = 1/8"=1'-0"
 USER NAME = craige



F.A.P. RTE.	SECTION	COUNTY	TOTAL SHEETS	SHEET NO.
808	*	**	715	509
STA. 2046+00.00		TO STA. 2047+00.00		
FED. ROAD DIST. NO.	ILLINOIS	FED. AID PROJECT		

• (205)57,105)RS-2
 ** CHAMPAIGN & DOUGLAS

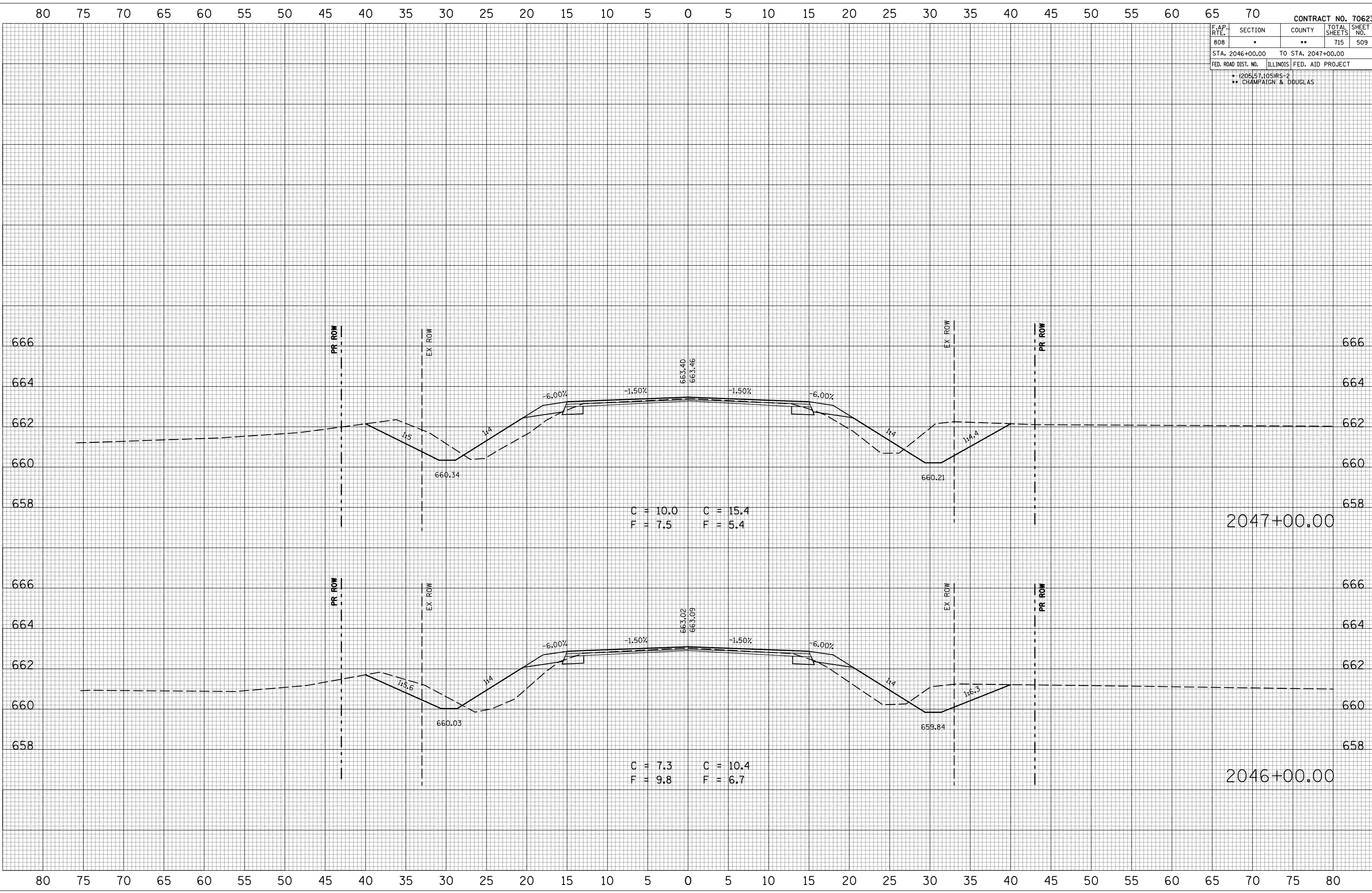
BY	DATE

NO.	AREAS CHECKED

BY	DATE

NO.	AREAS CHECKED

PLOT DATE = 8/2/2009
 FILE NAME = 1015682
 PLOT SCALE = 1/8" = 100'
 USER NAME = craigr



F.A.P. RTE.	SECTION	COUNTY	TOTAL SHEETS	SHEET NO.
808	*	**	715	518
STA. 2061+00.00		TO STA. 2062+00.00		
FED. ROAD DIST. NO.	ILLINOIS	FED. AID PROJECT		

• (205)57,105RS-2
 ** CHAMPAIGN & DOUGLAS

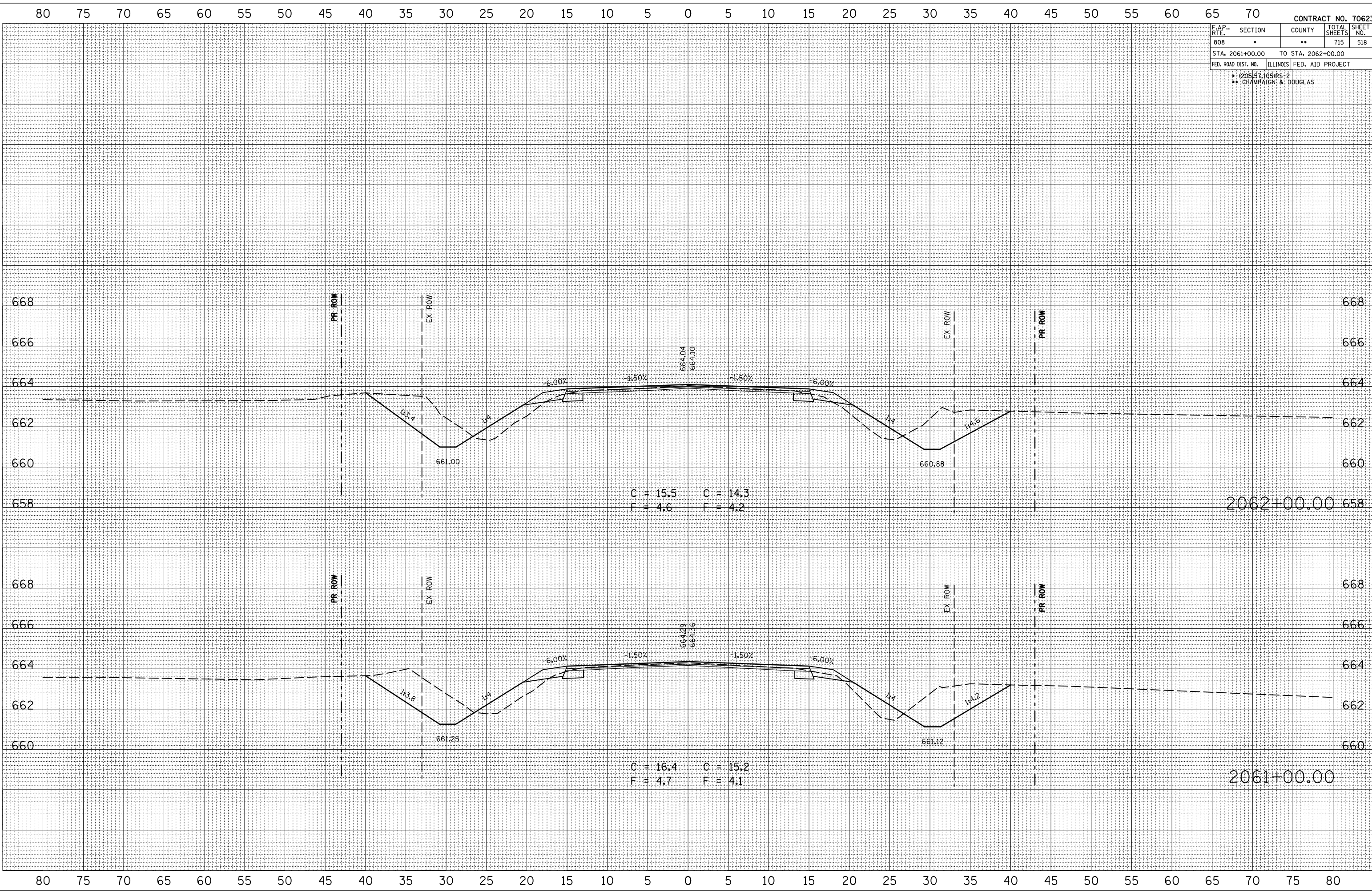
BY	DATE

NO.	AREAS CHECKED	AREAS	PLATE	PLOTTED	SURVEYED	FINAL SURVEY

BY	DATE

NO.	AREAS CHECKED	AREAS	PLATE	PLOTTED	SURVEYED	ORIGINAL SURVEY

PLOT DATE = 8/2/2009
 FILE NAME = I:\16582\CRAIGRE\191942\16582.dgn
 PLOT SCALE = 1/8"=1'-0" / IN.
 USER NAME = craigre



F.A.P. RTE.	SECTION	COUNTY	TOTAL SHEETS	SHEET NO.
808	*	**	715	523
STA. 2070+00.00		TO STA. 2070+75.00		
FED. ROAD DIST. NO.		ILLINOIS FED. AID PROJECT		
* (205.57, 105)RS-2				
** CHAMPAIGN & DOUGLAS				

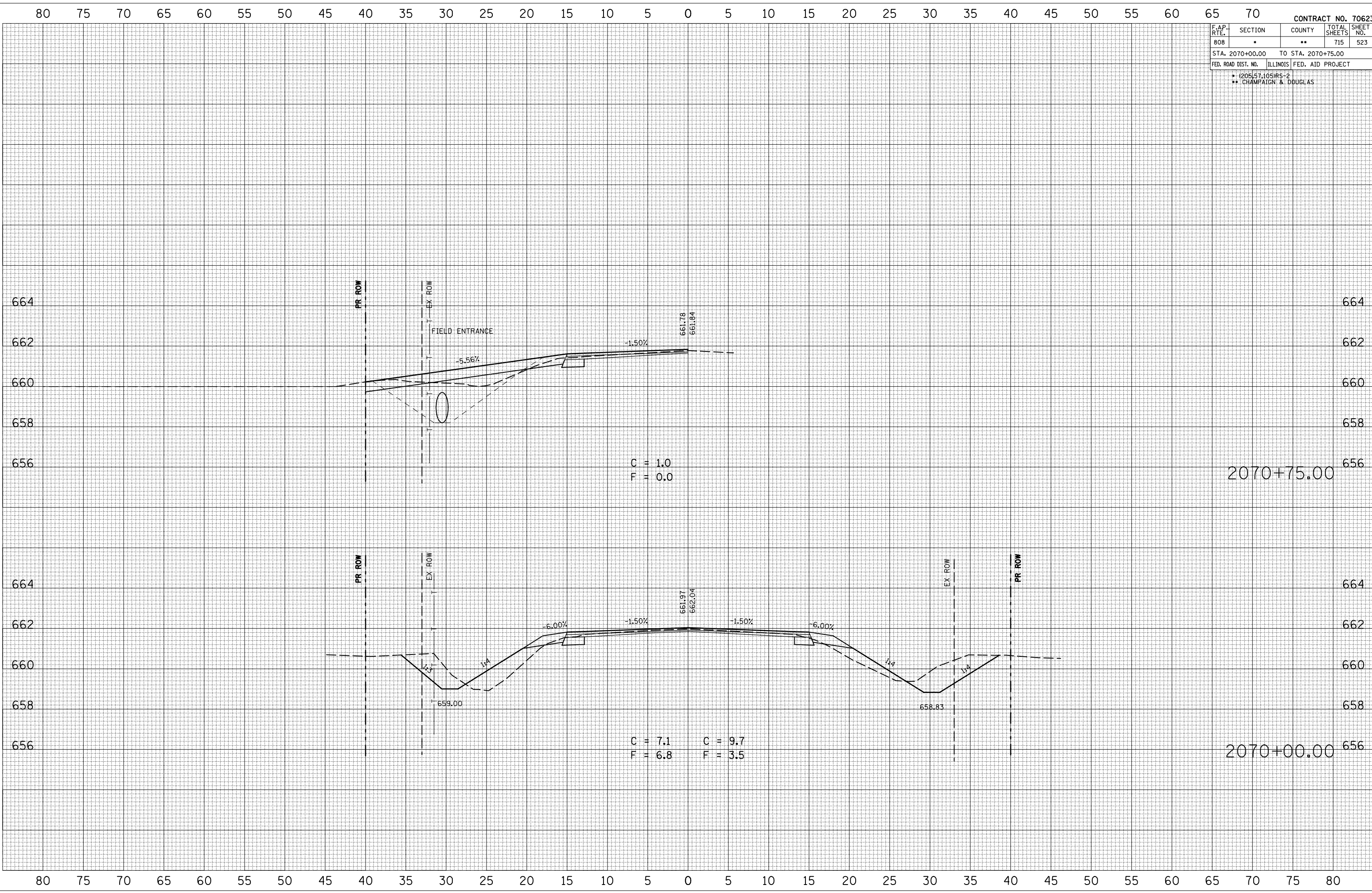
BY	DATE

NO.	AREAS CHECKED

BY	DATE

NO.	AREAS CHECKED

PLOT DATE = 8/2/2009
 FILE NAME = I:\16582\16582.dgn
 PLOT SCALE = 1/8" = 1' IN.
 USER NAME = craigr



80 75 70 65 60 55 50 45 40 35 30 25 20 15 10 5 0 5 10 15 20 25 30 35 40 45 50 55 60 65 70

80 75 70 65 60 55 50 45 40 35 30 25 20 15 10 5 0 5 10 15 20 25 30 35 40 45 50 55 60 65 70 75 80

F.A.P. RTE.	SECTION	COUNTY	TOTAL SHEETS	SHEET NO.
808	*	**	715	530

STA. 2085+00.00 TO STA. 2086+00.00
 FED. ROAD DIST. NO. ILLINOIS FED. AID PROJECT

• (205)57,105)RS-2
 ** CHAMPAIGN & DOUGLAS

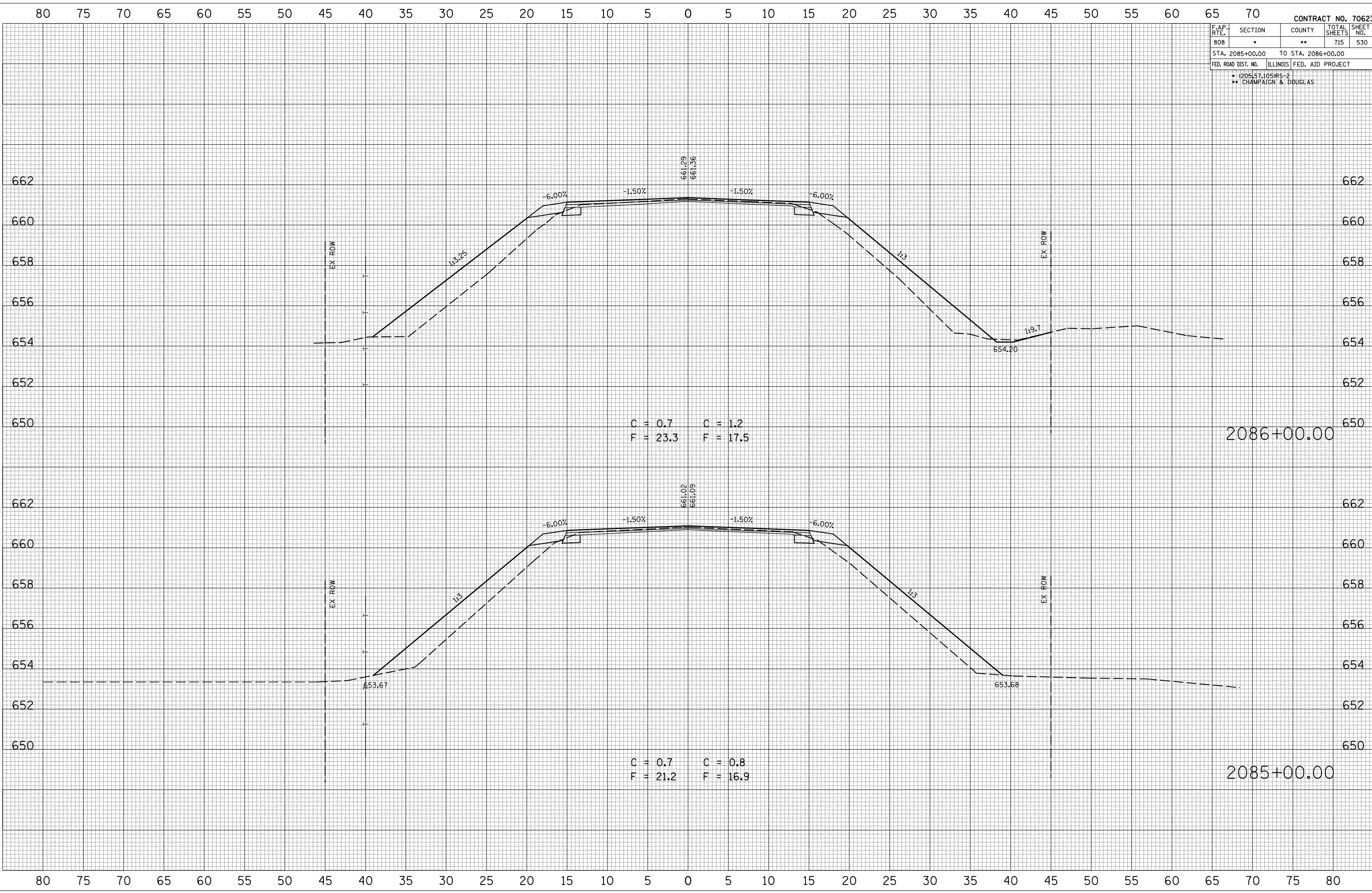
BY	DATE

FINAL SURVEY SURVEYED
 SURVEY PLOTTED
 NOTE BOOK NO.
 AREAS CHECKED

BY	DATE

ORIGINAL SURVEY SURVEYED
 SURVEY PLOTTED
 NOTE BOOK NO.
 AREAS CHECKED

PLOT DATE = 8/1/2009
 FILE NAME = 1015582
 PLOT SCALE = 1" = 40'
 USER NAME = craige



F.A.P. RTE.	SECTION	COUNTY	TOTAL SHEETS	SHEET NO.
808	*	**	715	531
STA. 2087+00.00		TO STA. 2087+75.00		
FED. ROAD DIST. NO.		ILLINOIS FED. AID PROJECT		
* (205.57, 105)RS-2 ** CHAMPAIGN & DOUGLAS				

BY	DATE

FINAL SURVEY	SURVEYED	PLOTTED	DATE

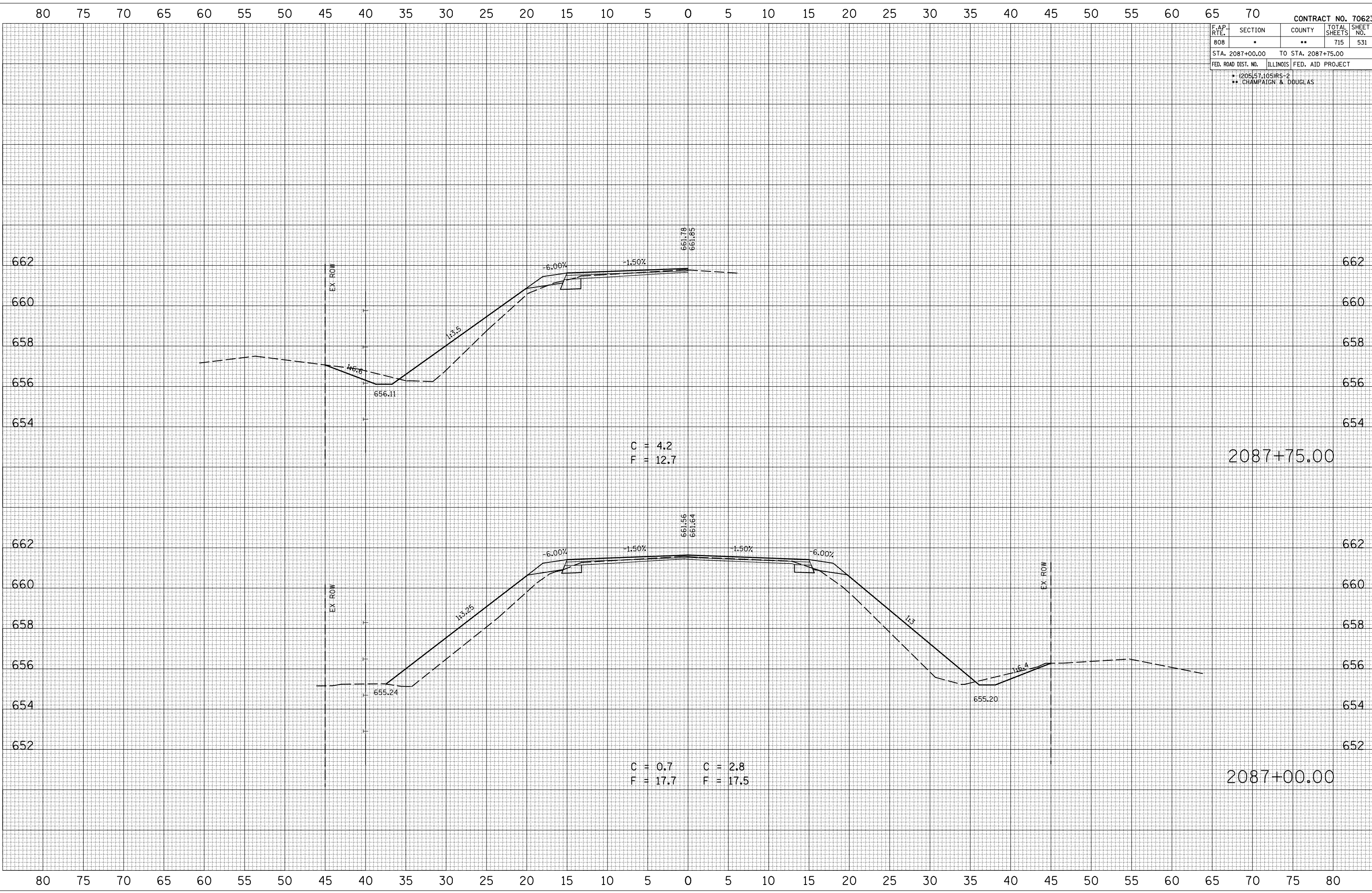
NO.	AREAS CHECKED

BY	DATE

ORIGINAL SURVEY	SURVEYED	PLOTTED	DATE

NO.	AREAS CHECKED

PLOT DATE = 8/1/2009
 FILE NAME = 1015682
 PLOT SCALE = 1/8" = 10.00'
 USER NAME = craigr



F.A.P. RTE.	SECTION	COUNTY	TOTAL SHEETS	SHEET NO.
808	*	**	715	533
STA. 2088+50.00		TO STA. 2088+93.00		
FED. ROAD DIST. NO.		ILLINOIS FED. AID PROJECT		
* 205.57, 105.95-2 ** CHAMPAIGN & DOUGLAS				

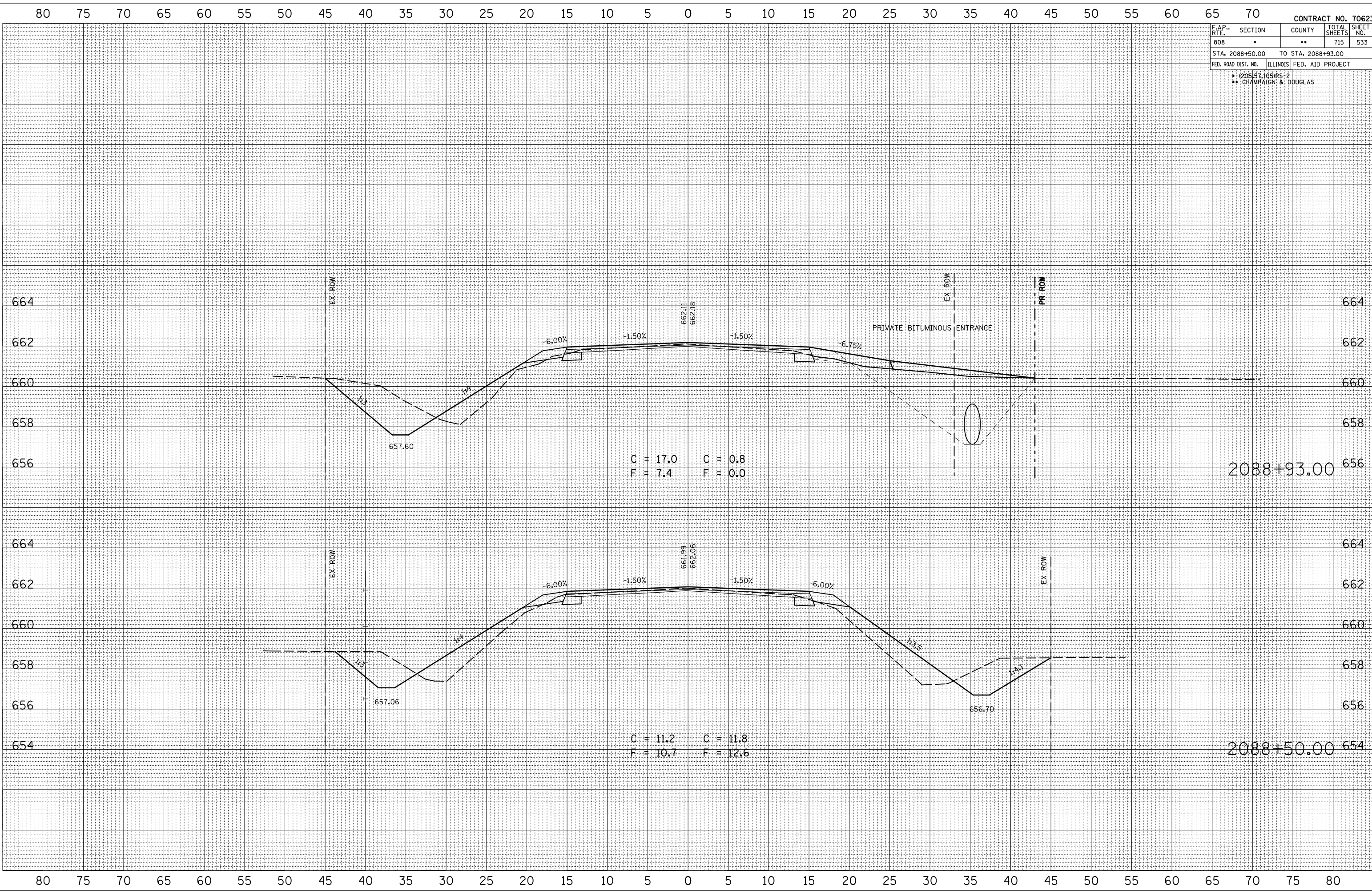
BY	DATE

NO.	AREAS CHECKED

BY	DATE

NO.	AREAS CHECKED

PLOT DATE = 8/1/2009
 FILE NAME = I:\105682\105682.dwg
 PLOT SCALE = 1/8" = 1' IN.
 USER NAME = craigr



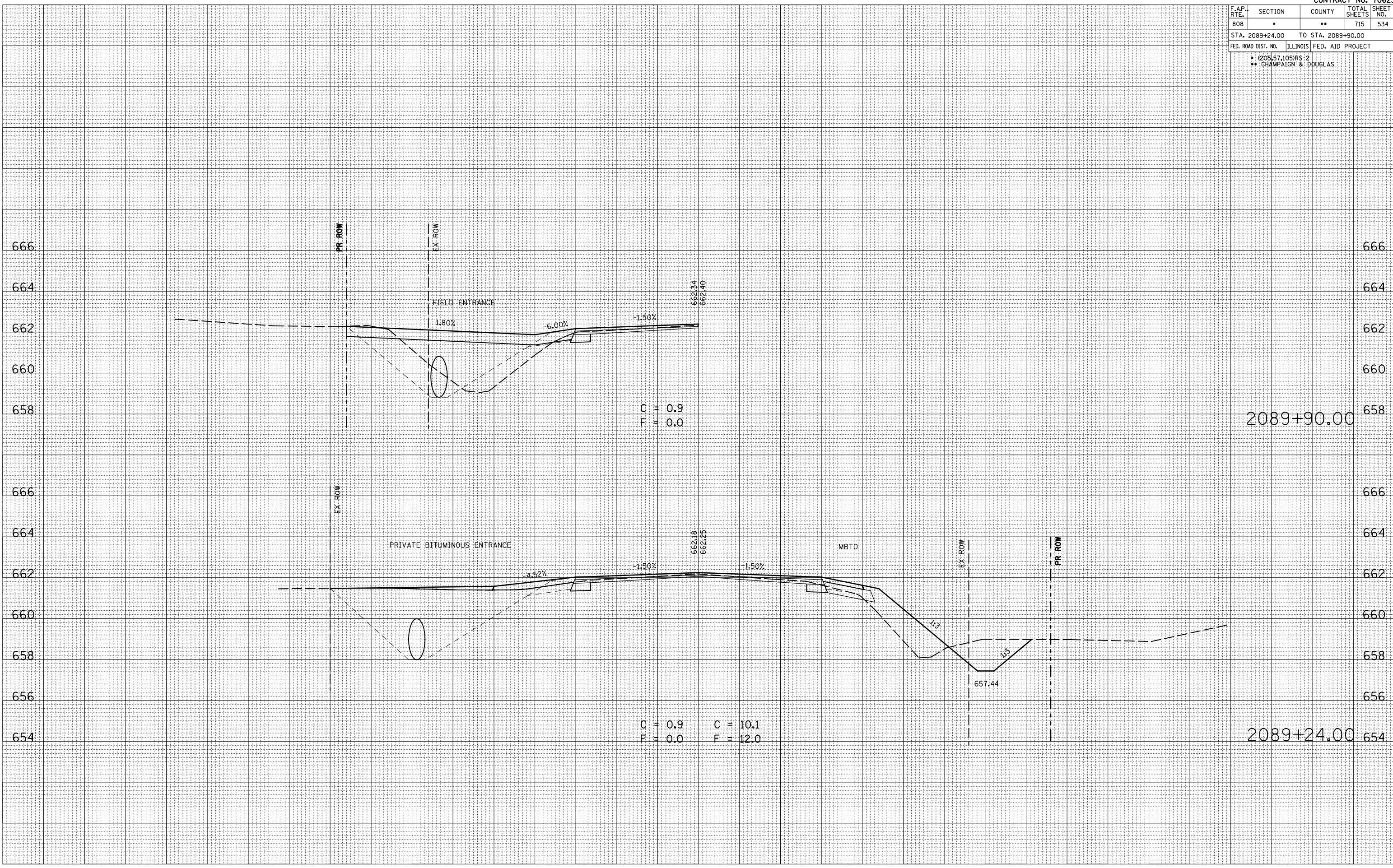
F.A.P. RTE.	SECTION	COUNTY	TOTAL SHEETS	SHEET NO.
808	*	**	715	534
STA. 2089+24.00		TO STA. 2089+90.00		
FED. ROAD DIST. NO.	ILLINOIS	FED. AID PROJECT		

• (205)57.105RS-2
 ** CHAMPAIGN & DOUGLAS

BY	DATE

BY	DATE

PLOT DATE = 8/1/2009
 FILE NAME = 1015682
 PLOT SCALE = 1/8" = 100'
 USER NAME = craigr



C = 0.9
 F = 0.0

C = 0.9 C = 10.1
 F = 0.0 F = 12.0

F.A.P. RTE.	SECTION	COUNTY	TOTAL SHEETS	SHEET NO.
808	*	**	715	542
STA. 2103+00.00		TO STA. 2104+00.00		
FED. ROAD DIST. NO.	ILLINOIS	FED. AID PROJECT		

• (205)57,105RS-2
 ** CHAMPAIGN & DOUGLAS

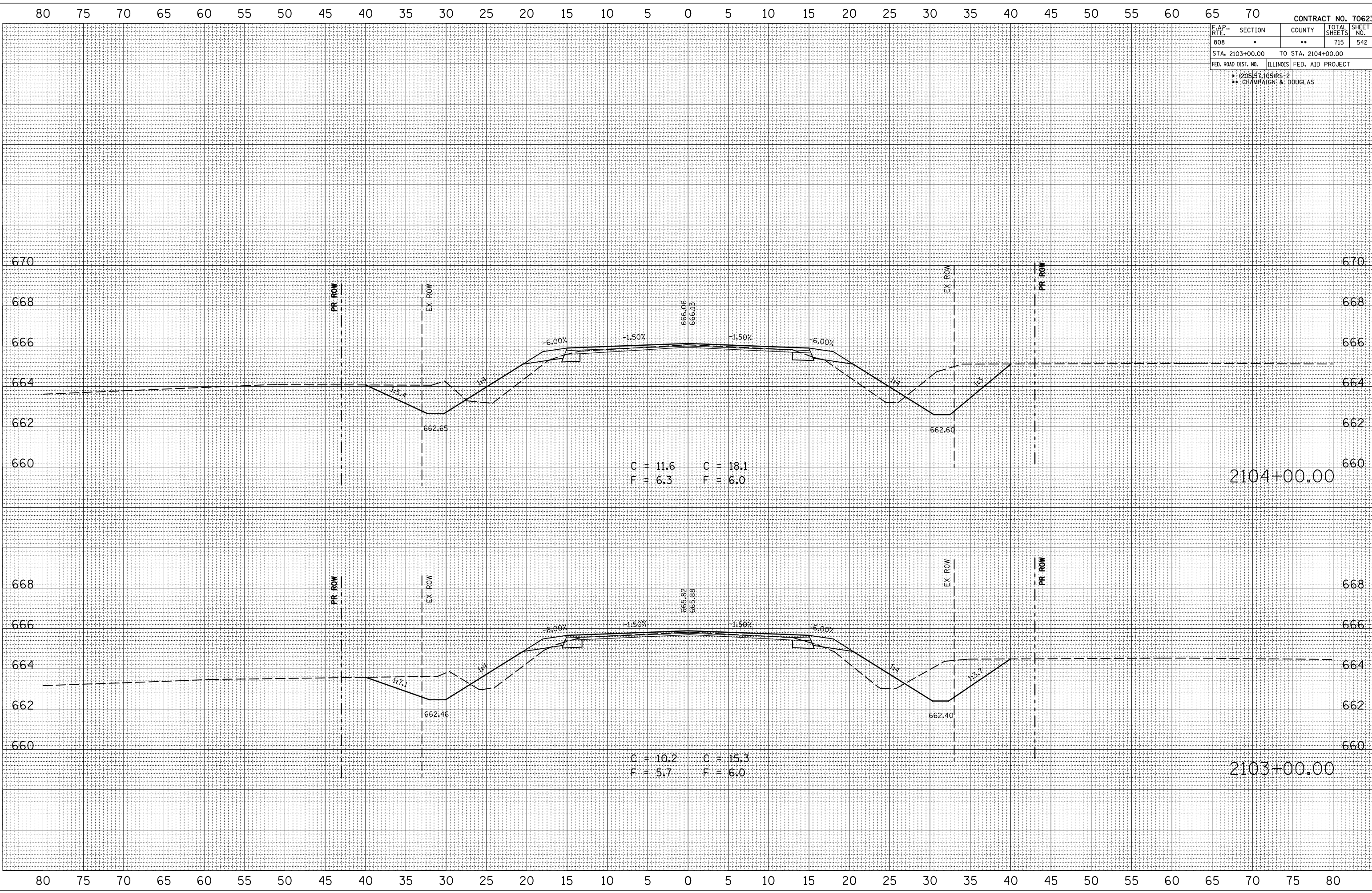
BY	DATE

NO.	AREAS CHECKED	AREAS	PLATE	PLOTTED	SURVEYED	FINAL SURVEY

BY	DATE

NO.	AREAS CHECKED	AREAS	PLATE	PLOTTED	SURVEYED	ORIGINAL SURVEY

PLOT DATE = 8/1/2009
 FILE NAME = 1015682
 PLOT SCALE = 1/8" = 1' IN.
 USER NAME = craigr



C = 11.6 C = 18.1
 F = 6.3 F = 6.0

C = 10.2 C = 15.3
 F = 5.7 F = 6.0

2104+00.00

2103+00.00

F.A.P. RTE.	SECTION	COUNTY	TOTAL SHEETS	SHEET NO.
808	*	**	715	548
STA. 2114+00.00		TO STA. 2115+00.00		
FED. ROAD DIST. NO.		ILLINOIS	FED. AID PROJECT	
* (205) 57, 105 RS-2 ** CHAMPAIGN & DOUGLAS				

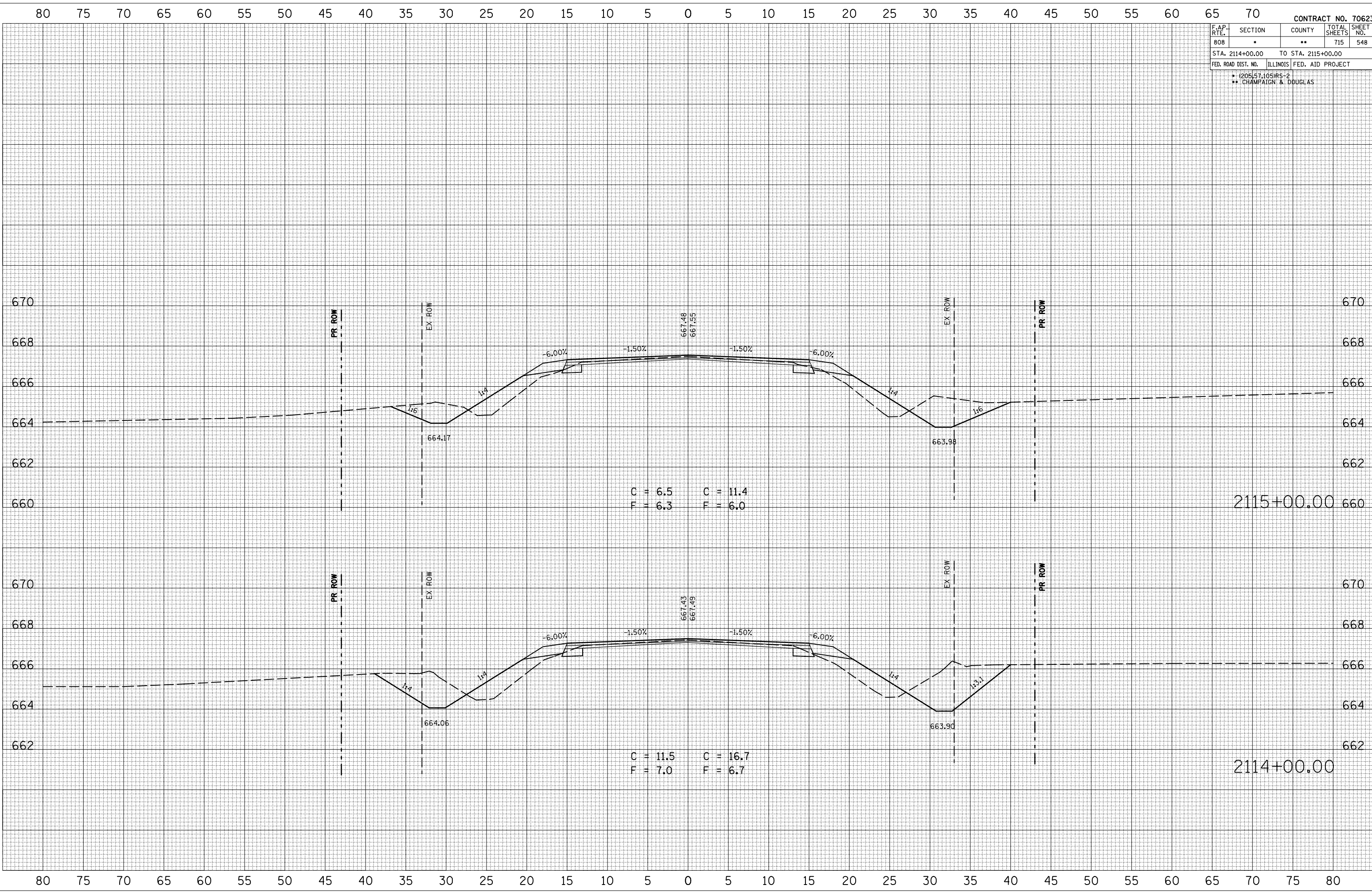
BY	DATE

NO.	AREAS CHECKED

BY	DATE

NO.	AREAS CHECKED

PLOT DATE = 8/1/2009
 FILE NAME = 1015682
 PLOT SCALE = 1/8" = 10.00'
 USER NAME = craigr



80 75 70 65 60 55 50 45 40 35 30 25 20 15 10 5 0 5 10 15 20 25 30 35 40 45 50 55 60 65 70 75 80

F.A.P. RTE.	SECTION	COUNTY	TOTAL SHEETS	SHEET NO.
808	*	**	715	550
STA. 2116+20.00		TO STA. 2116+50.00		
FED. ROAD DIST. NO.		ILLINOIS FED. AID PROJECT		
* (205) 57.105(RS-2) ** CHAMPAIGN & DOUGLAS				

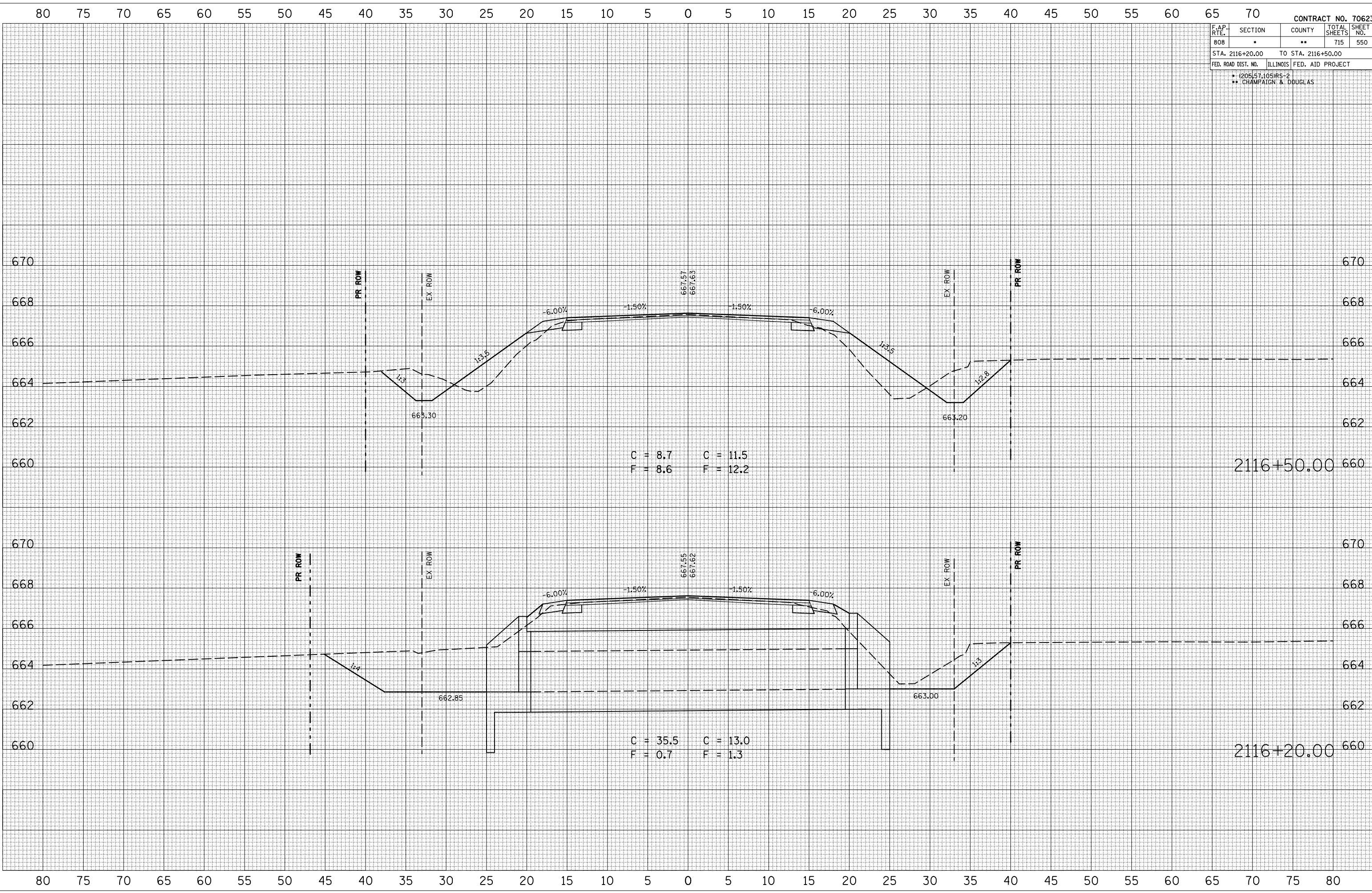
BY	DATE

FINAL SURVEY	SURVEYED	PLOTTED	DATE	NO.

BY	DATE

ORIGINAL SURVEY	SURVEYED	PLOTTED	DATE	NO.

PLOT DATE = 8/1/2009
 FILE NAME = I:\105682\CRAIGRE\081919\2116+20.00\2116+20.00.dgn
 PLOT SCALE = 1/8" = 10.0000'
 USER NAME = craigre



F.A.P. RTE.	SECTION	COUNTY	TOTAL SHEETS	SHEET NO.
808	*	**	715	551
STA. 2117+00.00		TO STA. 2117+40.00		
FED. ROAD DIST. NO.		ILLINOIS FED. AID PROJECT		
* (205)57.105(RS-2) ** CHAMPAIGN & DOUGLAS				

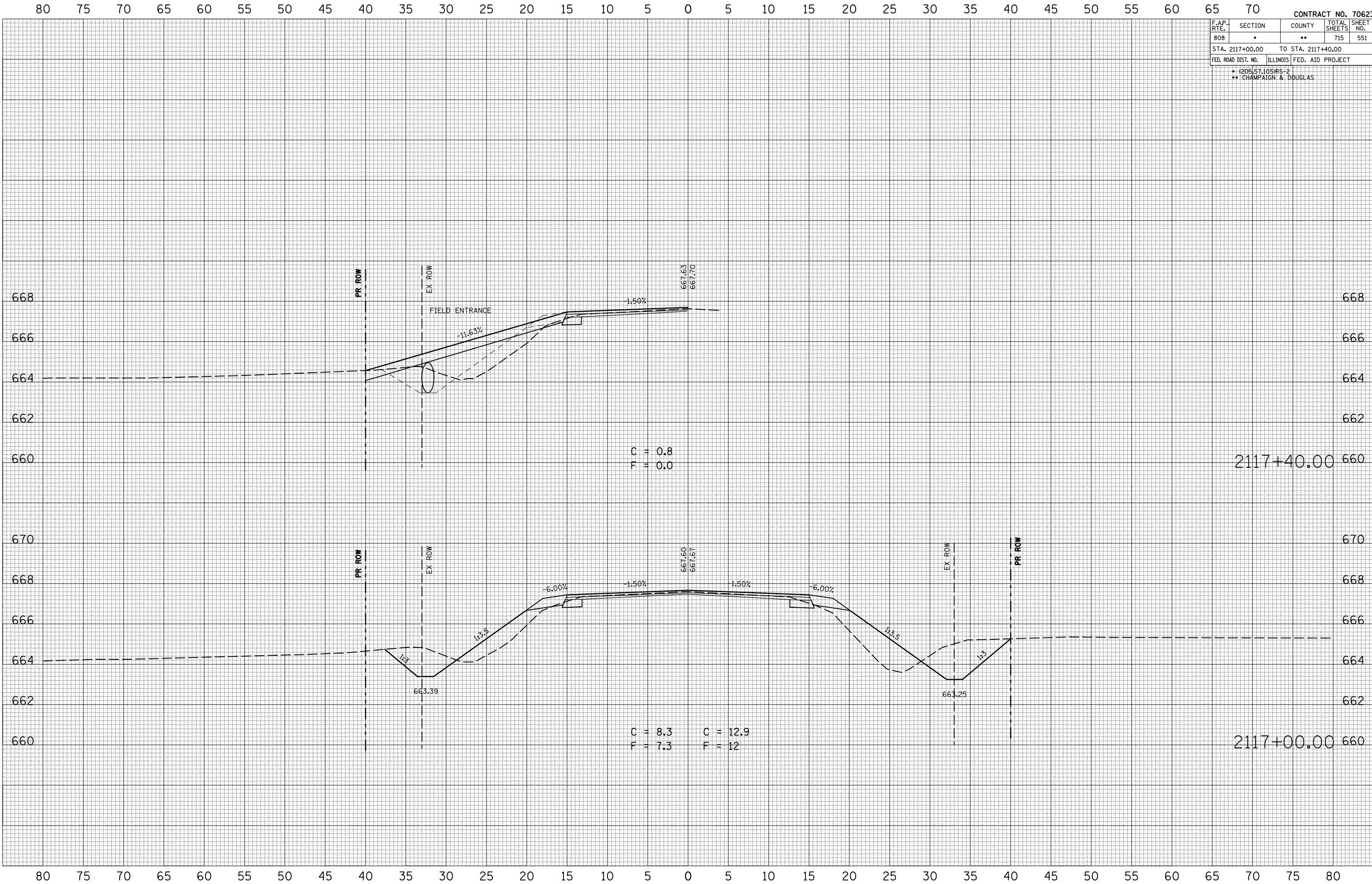
BY	DATE

NO.	AREAS CHECKED

BY	DATE

NO.	AREAS CHECKED

PLOT DATE = 8/1/2009
 FILE NAME = I:\105682\CRAIGRE\81919\2117+00.00\2117+00.00.dgn
 PLOT SCALE = 1/8" = 10.0000'
 USER NAME = craigre



F.A.P. RTE.	SECTION	COUNTY	TOTAL SHEETS	SHEET NO.
808		**	715	552
STA. 2118+00.00		TO STA. 2119+00.00		
FED. ROAD DIST. NO.		ILLINOIS	FED. AID PROJECT	
* (205,57,105)RS-2 ** CHAMPAIGN & DOUGLAS				

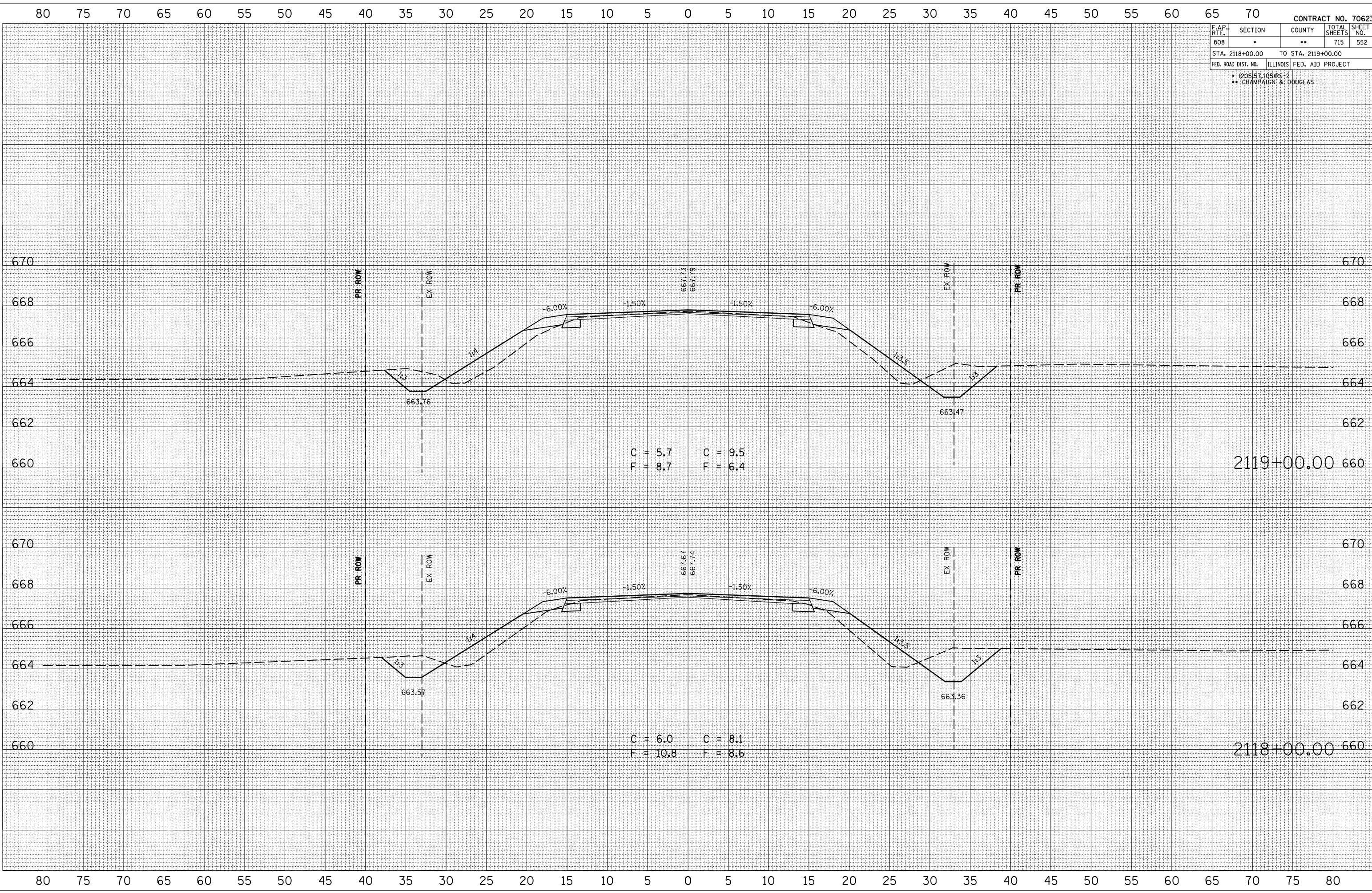
BY	DATE

NO.	AREAS CHECKED

BY	DATE

NO.	AREAS CHECKED

PLOT DATE = 8/1/2009
 FILE NAME = I:\16582\CRAIGRE\819\9142\2118+00.00\2118+00.00.dgn
 PLOT SCALE = 1/8" = 10.0000'
 USER NAME = craigre

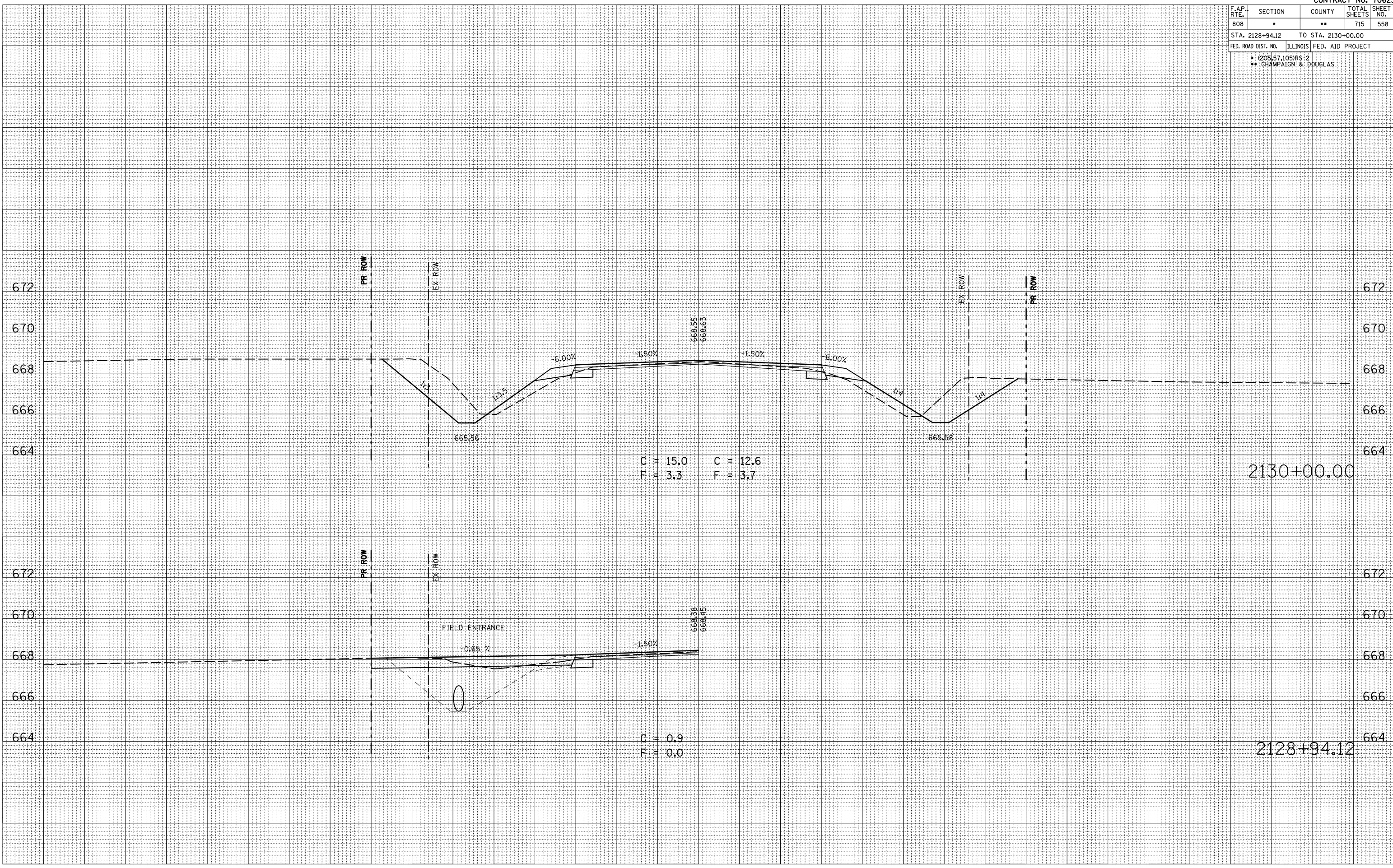


F.A.P. RTE.	SECTION	COUNTY	TOTAL SHEETS	SHEET NO.
808	*	**	715	558
STA. 2128+94.12		TO STA. 2130+00.00		
FED. ROAD DIST. NO.		ILLINOIS	FED. AID PROJECT	
* (205.57, 105)RS-2				
** CHAMPAIGN & DOUGLAS				

BY	DATE

BY	DATE

PLOT DATE = 8/1/2009
 FILE NAME = I:\10582\CHAMPAIGN\CHAMPAIGN\CHAMPAIGN.dgn
 PLOT SCALE = 1/8" = 1' IN.
 USER NAME = craigr



2130+00.00

2128+94.12

F.A.P. RTE.	SECTION	COUNTY	TOTAL SHEETS	SHEET NO.
808	*	**	715	570
STA. 2145+00.00		TO STA. 2146+00.00		
FED. ROAD DIST. NO.		ILLINOIS	FED. AID PROJECT	

• (205) 57.105RS-2
 ** CHAMPAIGN & DOUGLAS

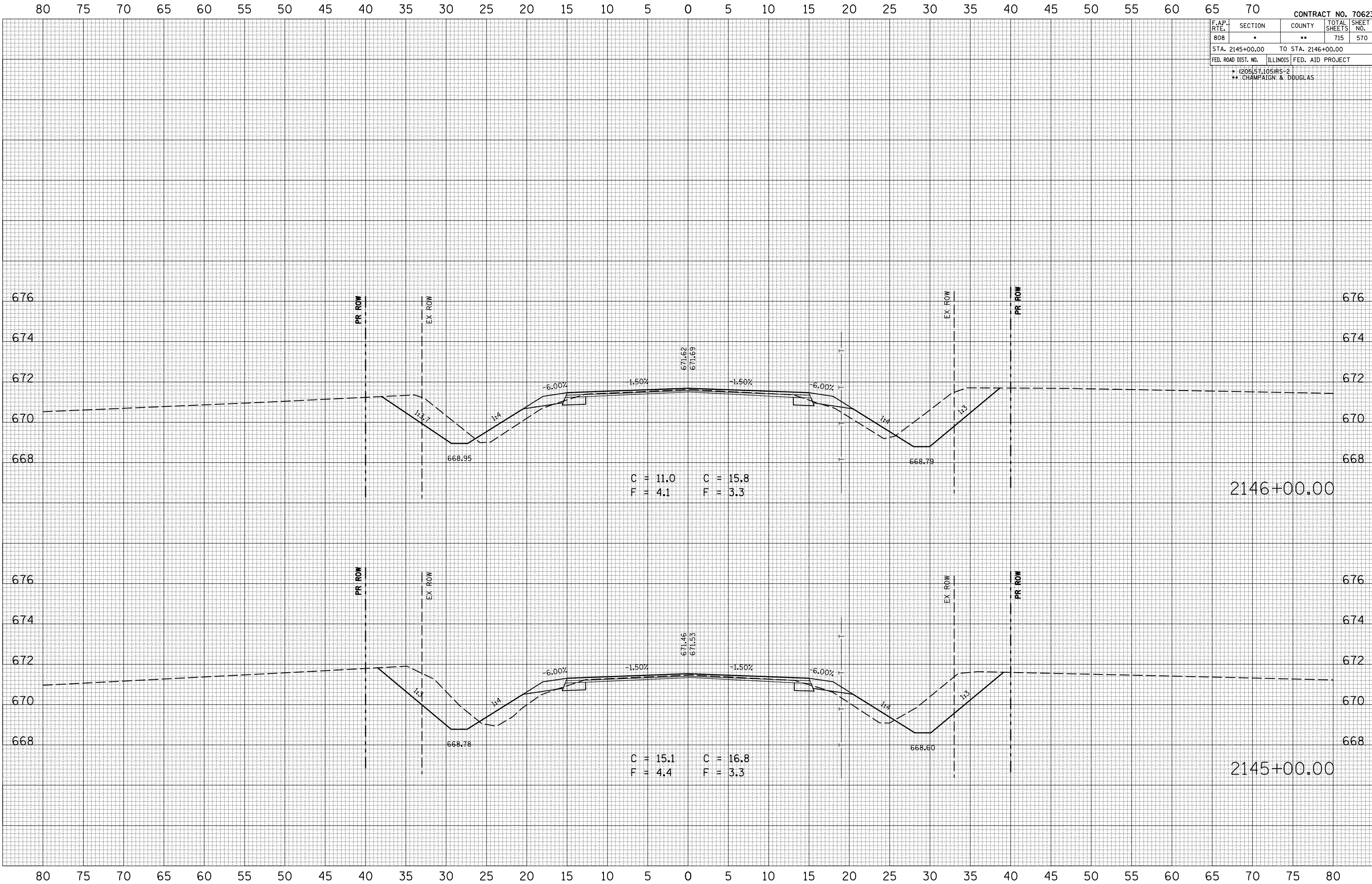
BY	DATE

NO.	AREAS CHECKED

BY	DATE

NO.	AREAS CHECKED

PLOT DATE = 8/1/2009
 FILE NAME = 1015582
 PLOT SCALE = 1/8" = 100'
 USER NAME = craigr



2146+00.00

2145+00.00

F.A.P. RTE.	SECTION	COUNTY	TOTAL SHEETS	SHEET NO.
808	*	**	715	578
STA. 2160+00.00		TO STA. 2161+00.00		
FED. ROAD DIST. NO.	ILLINOIS	FED. AID PROJECT		

• (205)57.105RS-2
 ** CHAMPAIGN & DOUGLAS

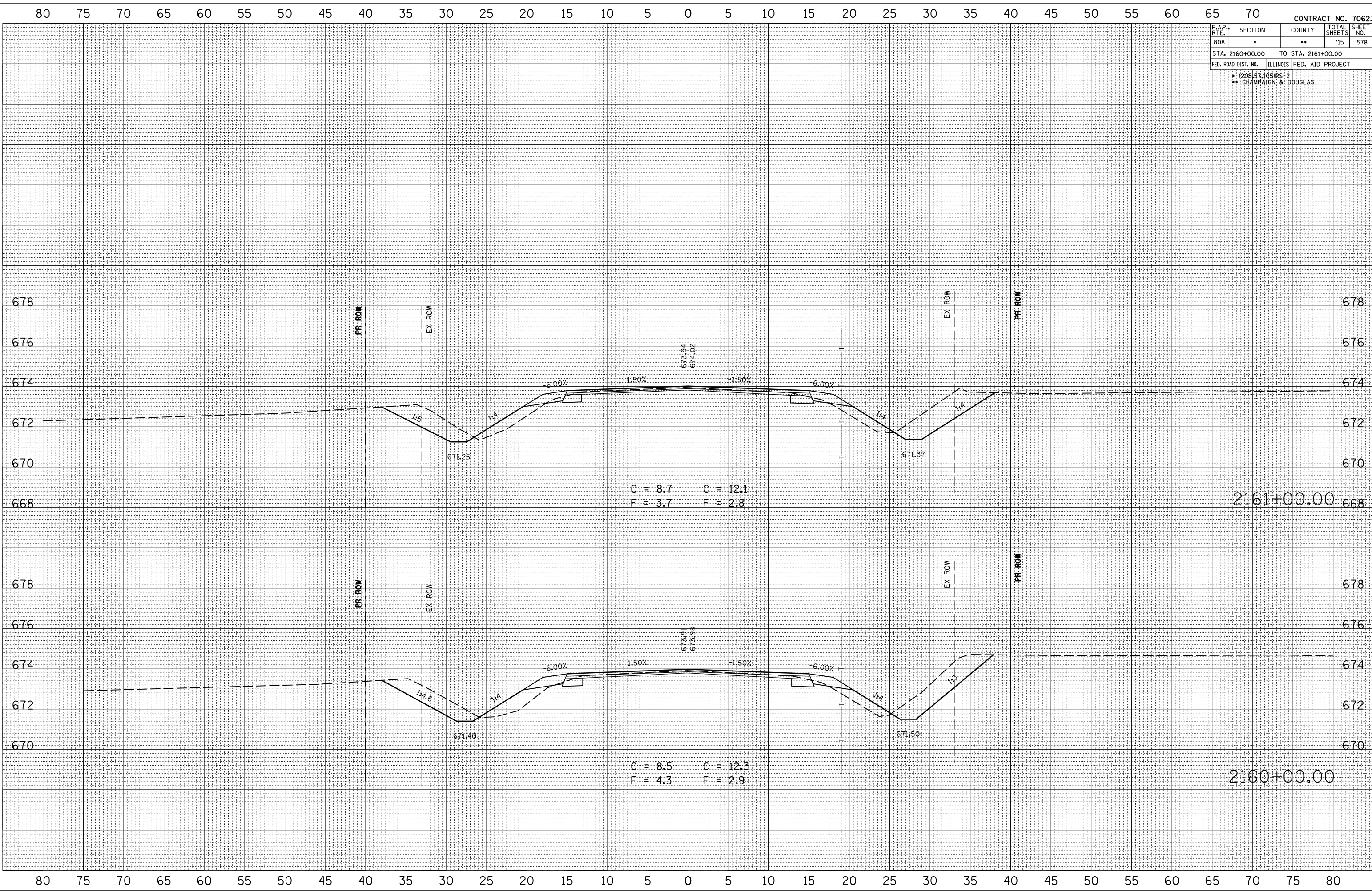
BY	DATE

NO.	AREAS CHECKED

BY	DATE

NO.	AREAS CHECKED

PLOT DATE = 8/1/2009
 FILE NAME = 1015682
 PLOT SCALE = 1/8" = 100'
 USER NAME = craigr



C = 8.7 C = 12.1
 F = 3.7 F = 2.8

C = 8.5 C = 12.3
 F = 4.3 F = 2.9

2161+00.00

2160+00.00

F.A.P. RTE.	SECTION	COUNTY	TOTAL SHEETS	SHEET NO.
808	*	**	715	583
STA. 2167+50.00		TO STA. 2168+00.00		
FED. ROAD DIST. NO.		ILLINOIS	FED. AID PROJECT	
* (205) 57, 105) RS-2 ** CHAMPAIGN & DOUGLAS				

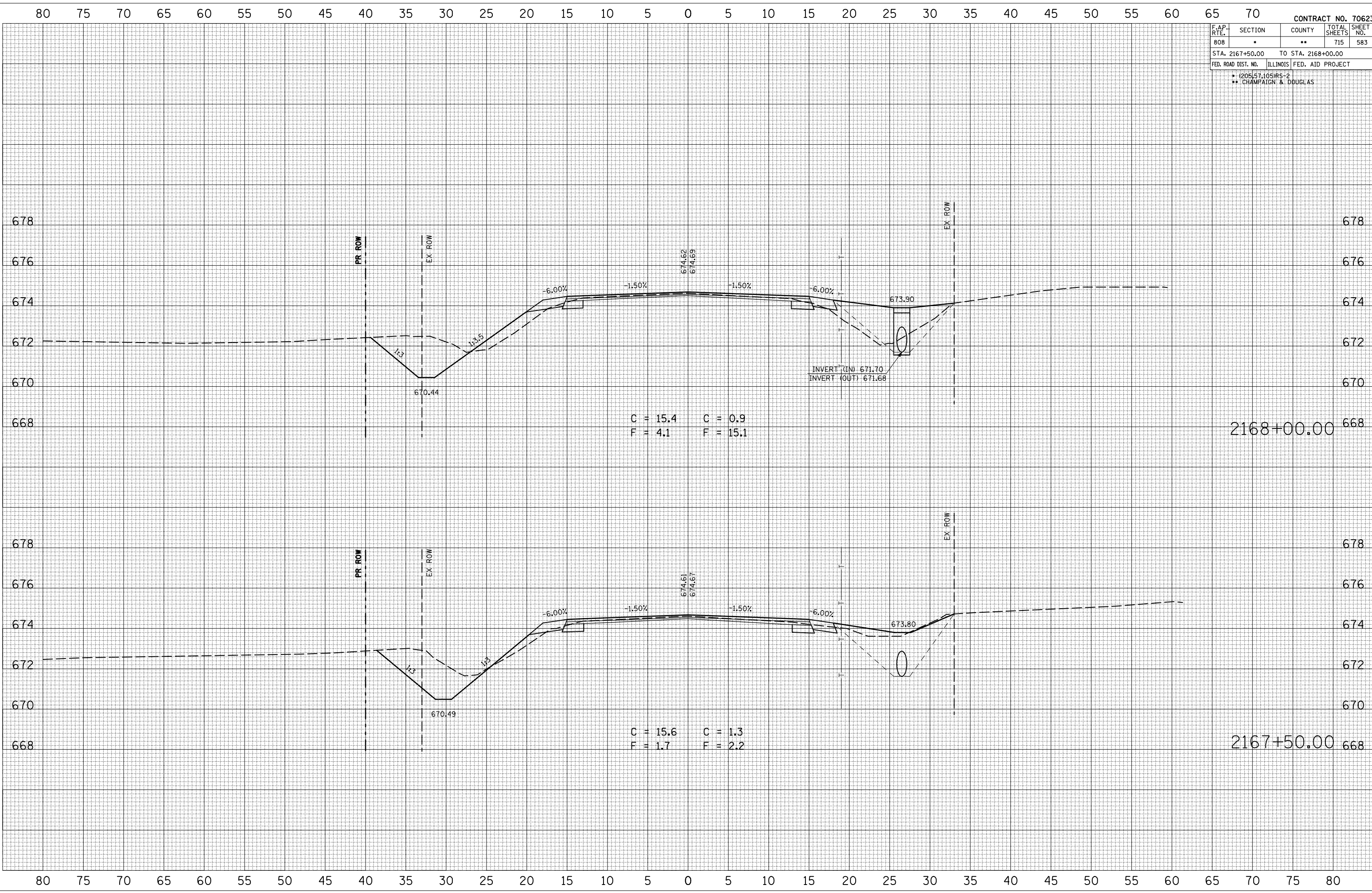
BY	DATE

NO.	AREAS CHECKED

BY	DATE

NO.	AREAS CHECKED

PLOT DATE = 8/1/2009
 FILE NAME = I:\10582\10582.dgn
 PLOT SCALE = 1/8" = 1' IN.
 USER NAME = craigr



80 75 70 65 60 55 50 45 40 35 30 25 20 15 10 5 0 5 10 15 20 25 30 35 40 45 50 55 60 65 70

80 75 70 65 60 55 50 45 40 35 30 25 20 15 10 5 0 5 10 15 20 25 30 35 40 45 50 55 60 65 70 75 80

F.A.P. RTE.	SECTION	COUNTY	TOTAL SHEETS	SHEET NO.
808	*	**	715	588
STA. 2172+73.61		TO STA. 2173+00.00		
FED. ROAD DIST. NO.		ILLINOIS FED. AID PROJECT		
* (205.57, 105)RS-2				
** CHAMPAIGN & DOUGLAS				

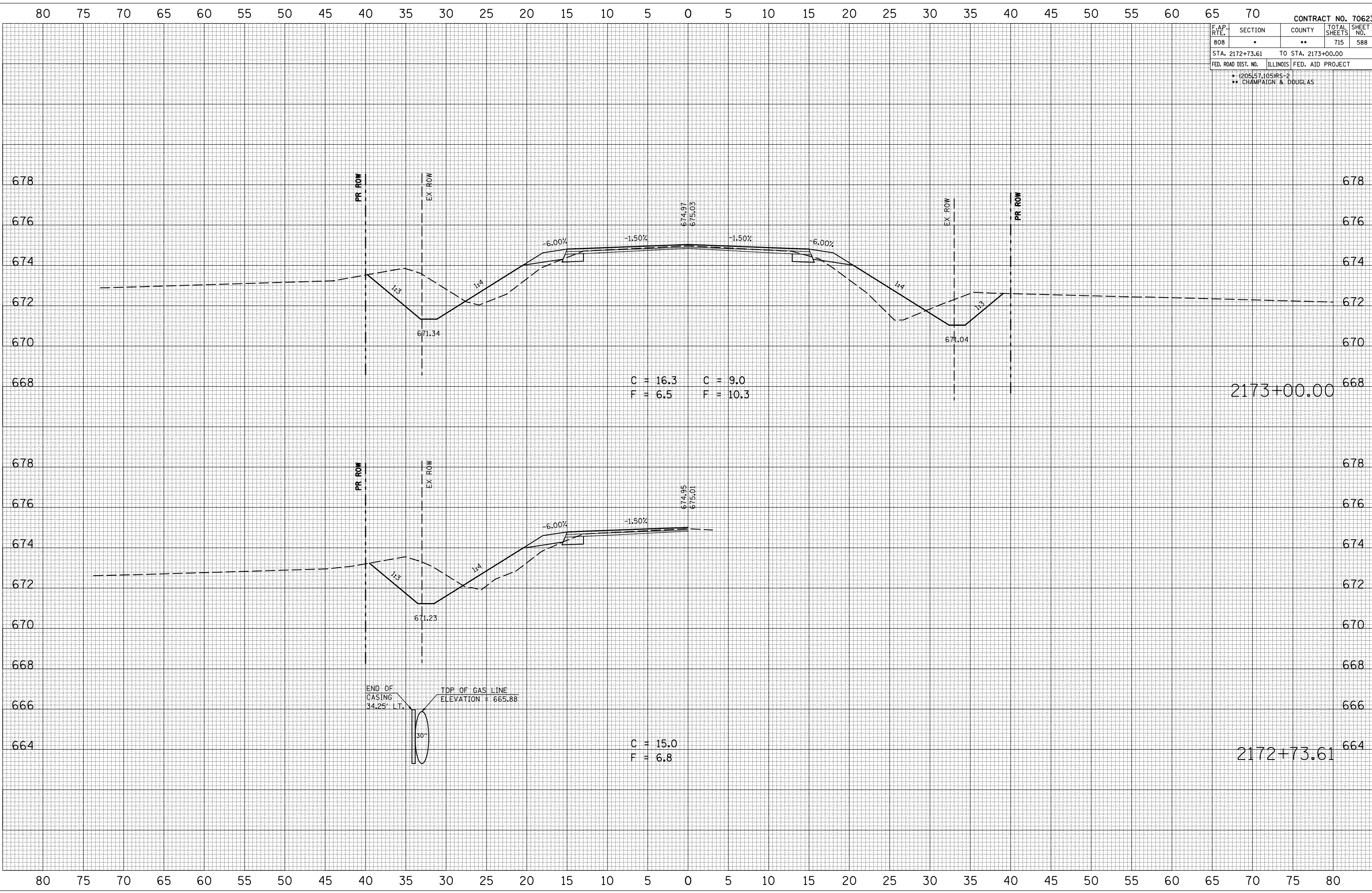
BY	DATE

NO.	AREAS CHECKED

BY	DATE

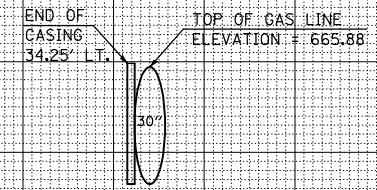
NO.	AREAS CHECKED

PLOT DATE = 8/1/2009
 FILE NAME = I:\10582\10582.dgn
 PLOT SCALE = 1/8" = 1'-0"
 USER NAME = craigr



C = 16.3 C = 9.0
 F = 6.5 F = 10.3

C = 15.0
 F = 6.8



2173+00.00

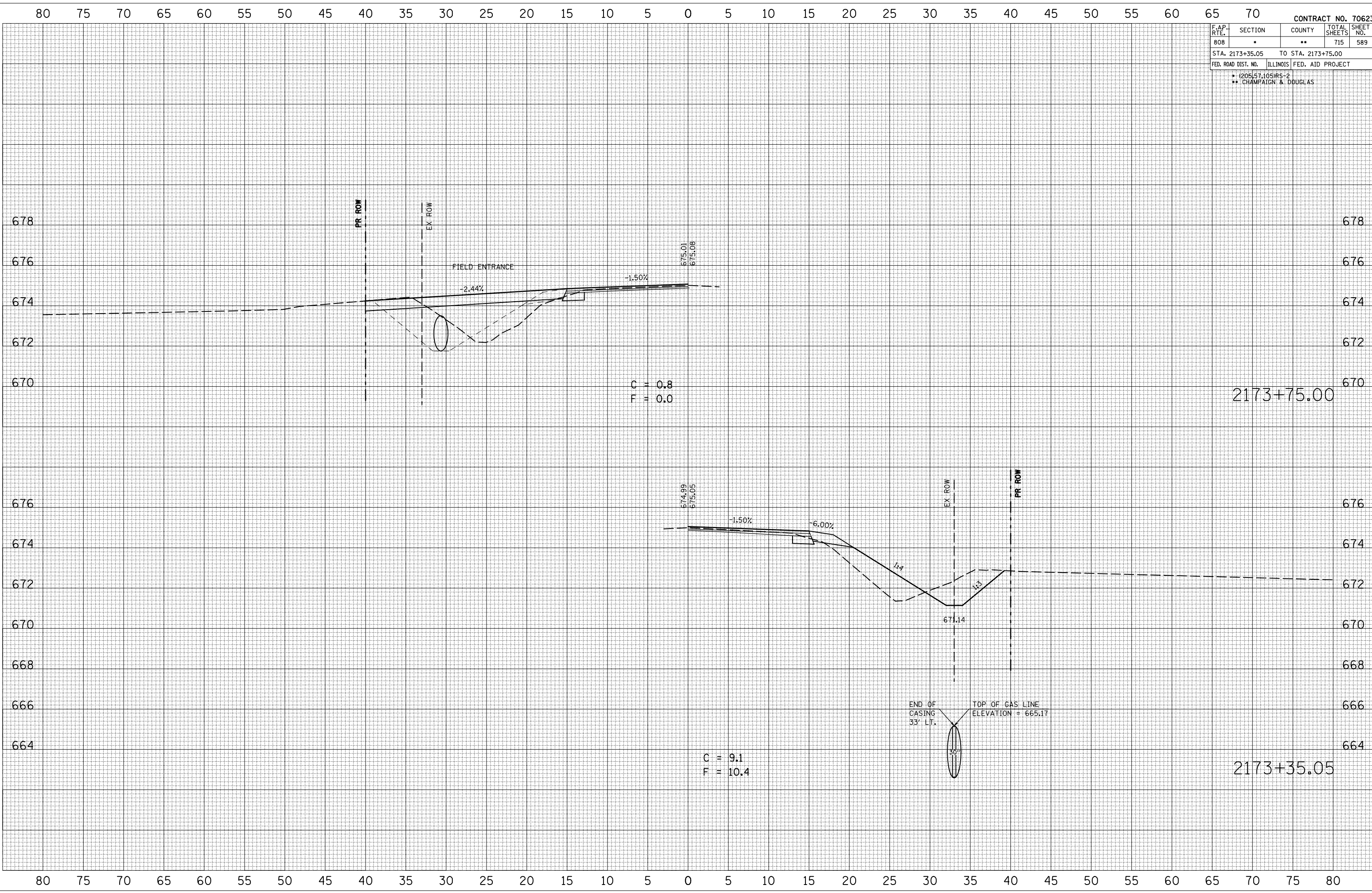
2172+73.61

F.A.P. RTE.	SECTION	COUNTY	TOTAL SHEETS	SHEET NO.
808	*	**	715	589
STA. 2173+35.05		TO STA. 2173+75.00		
FED. ROAD DIST. NO.		ILLINOIS FED. AID PROJECT		
* (205.57, 105)RS-2				
** CHAMPAIGN & DOUGLAS				

BY	DATE

BY	DATE

PLOT DATE = 8/1/2009
 FILE NAME = 1015582
 PLOT SCALE = 1/8" = 10.00'
 USER NAME = craigr



2173+75.00

2173+35.05

C = 0.8
F = 0.0

C = 9.1
F = 10.4

END OF CASING
33' LT.
TOP OF GAS LINE
ELEVATION = 665.17

F.A.P. RTE.	SECTION	COUNTY	TOTAL SHEETS	SHEET NO.
808	*	**	715	592
STA. 2178+00.00		TO STA. 2179+00.00		
FED. ROAD DIST. NO.		ILLINOIS	FED. AID PROJECT	
* (205) 57,105 RS-2 ** CHAMPAIGN & DOUGLAS				

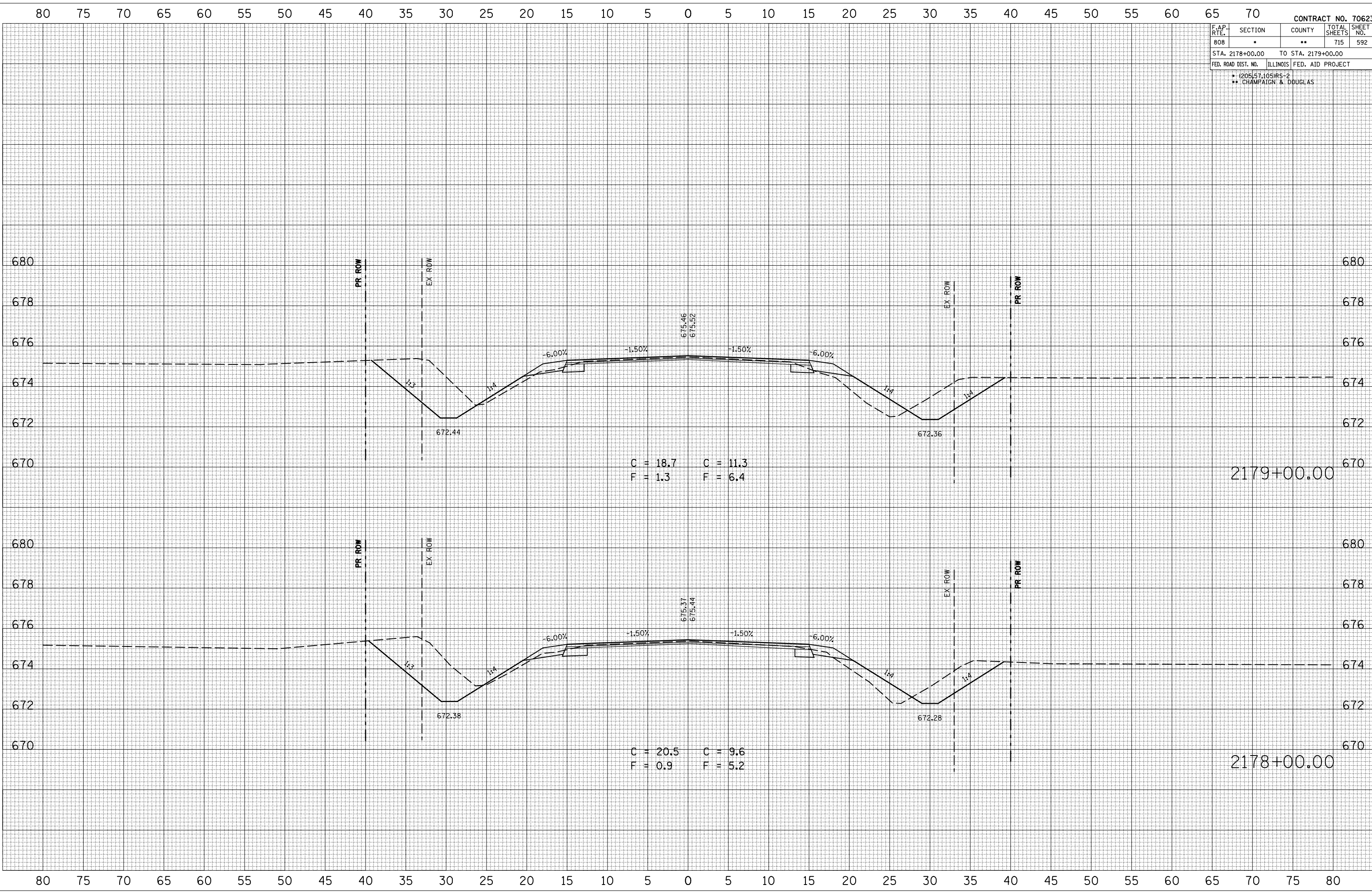
BY	DATE

FINAL SURVEY	SURVEYED	PLOTTED	NO. OF SHEETS	AREAS CHECKED

BY	DATE

ORIGINAL SURVEY	SURVEYED	PLOTTED	NO. OF SHEETS	AREAS CHECKED

PLOT DATE = 8/1/2009
 FILE NAME = 1015582
 PLOT SCALE = 1" = 10.000'
 USER NAME = craigr



F.A.P. RTE.	SECTION	COUNTY	TOTAL SHEETS	SHEET NO.
808	*	**	715	594
STA. 2182+00.00		TO STA. 2182+45.00		
FED. ROAD DIST. NO.		ILLINOIS	FED. AID PROJECT	
* (205) 57, 105) RS-2				
** CHAMPAIGN & DOUGLAS				

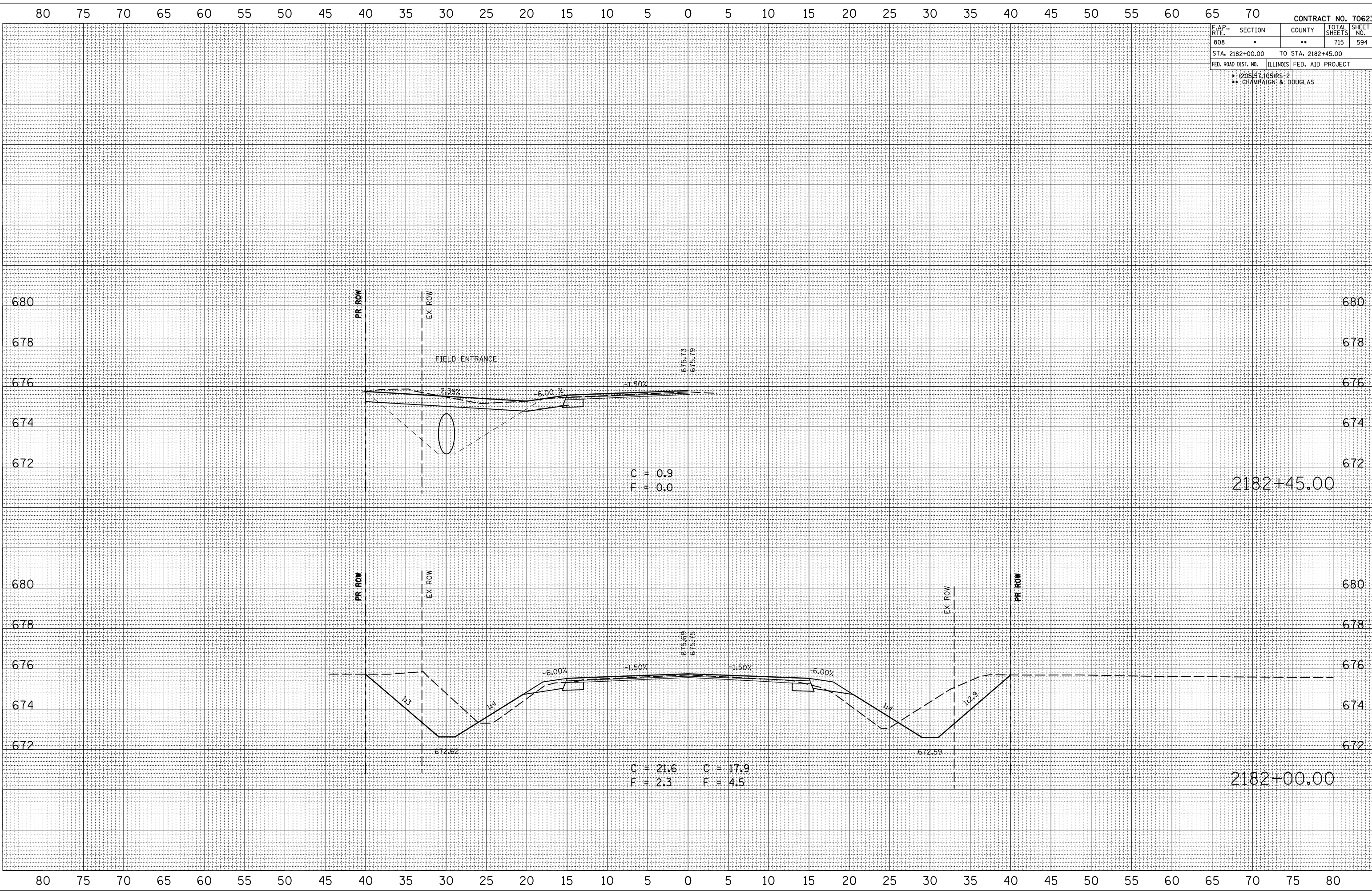
BY	DATE

NO.	AREAS CHECKED

BY	DATE

NO.	AREAS CHECKED

PLOT DATE = 8/1/2009
 FILE NAME = I:\105682\CRAIGRE\8/1/09\2182+00.00-2182+45.00.dgn
 PLOT SCALE = 1/8" = 10.0000'
 USER NAME = craigre



F.A.P. RTE.	SECTION	COUNTY	TOTAL SHEETS	SHEET NO.
808	*	**	715	597
STA. 2186+00.00		TO STA. 2186+76.50		
FED. ROAD DIST. NO.		ILLINOIS	FED. AID PROJECT	
* (205.57, 105)RS-2				
** CHAMPAIGN & DOUGLAS				

BY	DATE

NO.	AREAS CHECKED

BY	DATE

NO.	AREAS CHECKED

PLOT DATE = 8/1/2009
 FILE NAME = 1015682
 PLOT SCALE = 1/8" = 1' IN.
 USER NAME = craigr

